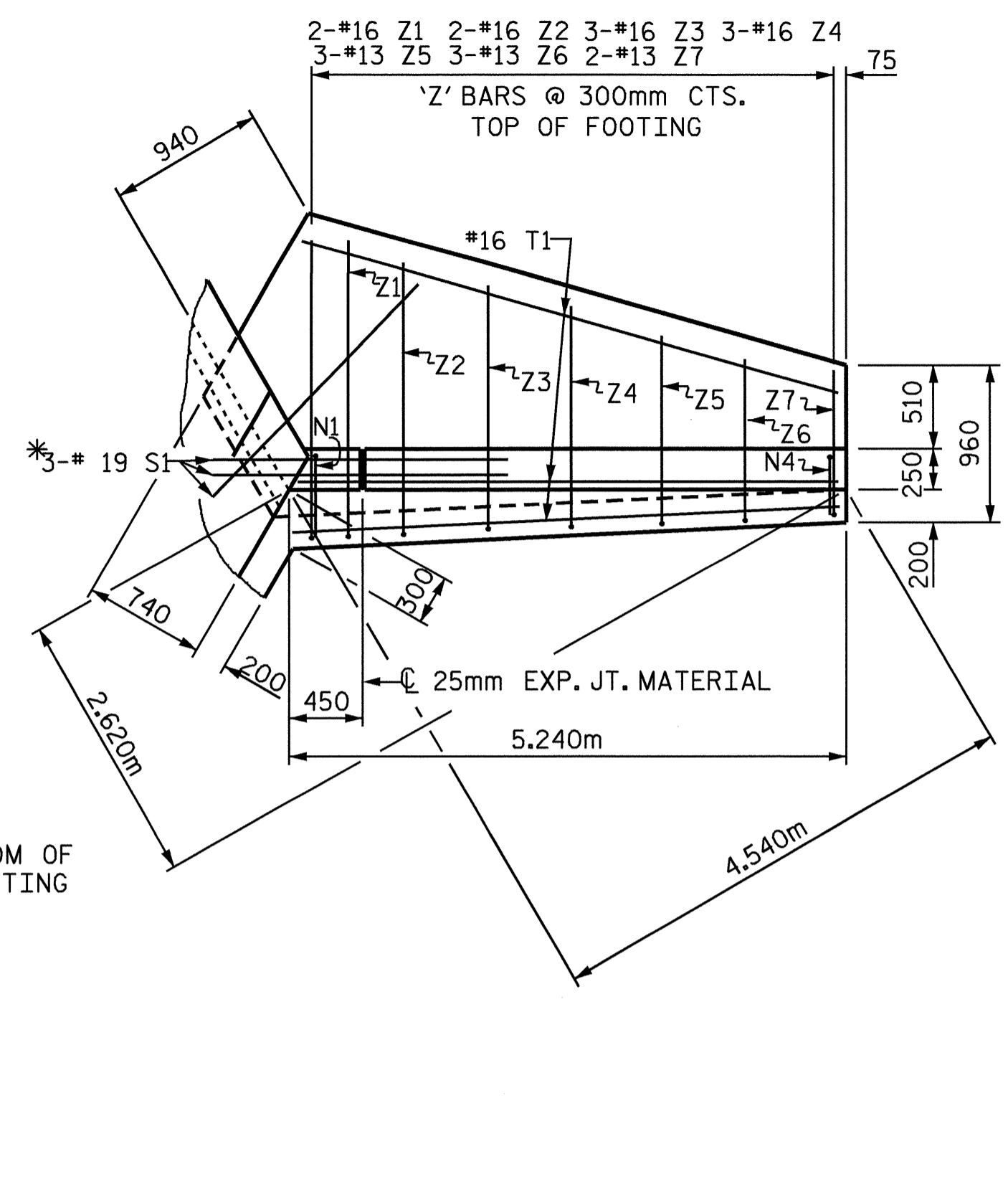
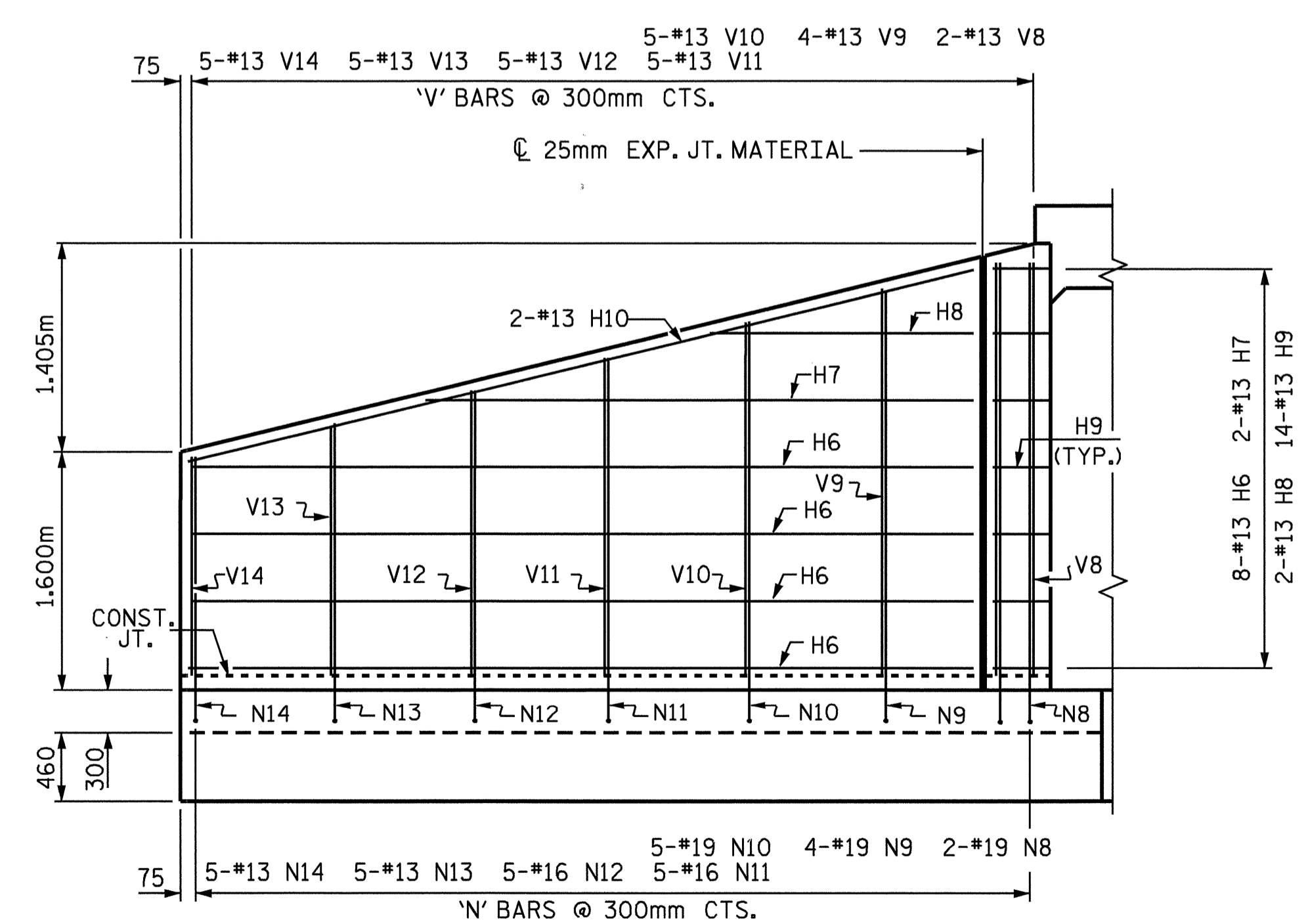


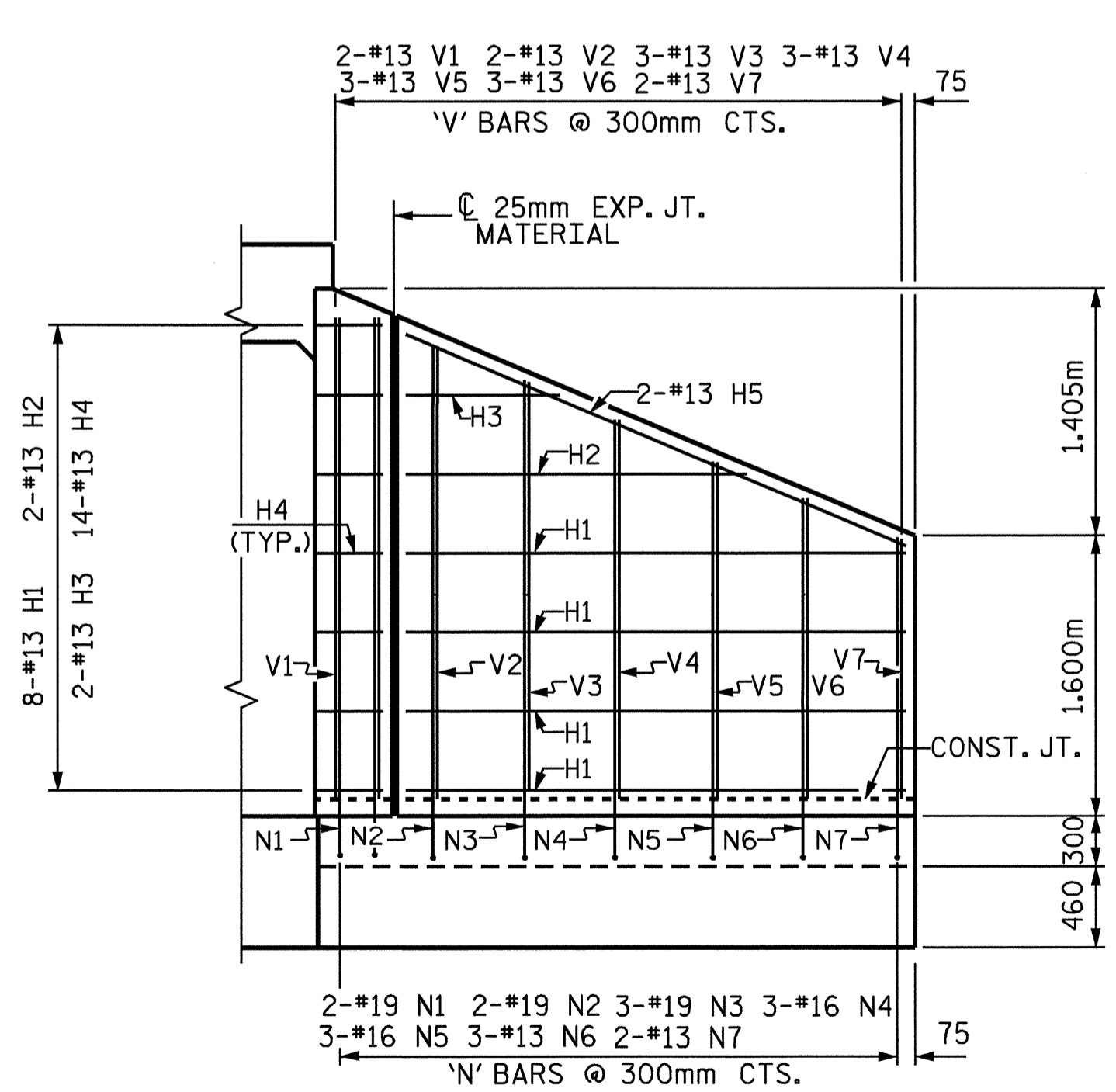
PLAN W1



PLAN W2



ELEVATION W1



ELEVATION W2

### BAR TYPES

ALL BAR DIMENSIONS ARE OUT TO OUT.

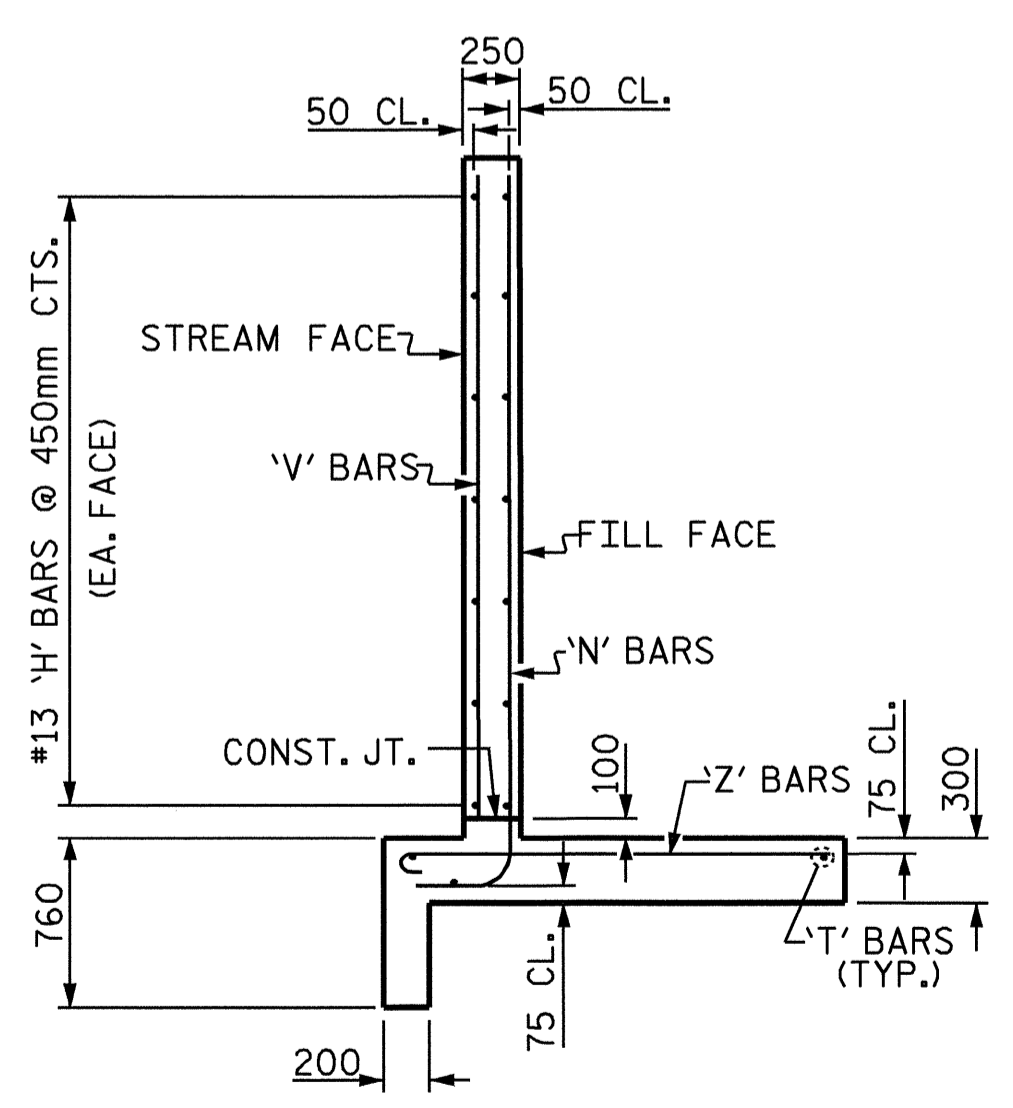
### BILL OF MATERIAL

BAR	NO.	SIZE	TYPE	LENGTH	WEIGHT
H1	8	13	STR	4660	37
H2	2	13	STR	3180	6
H3	2	13	STR	1400	3
H4	14	13	STR	980	14
H5	2	13	STR	4840	10
H6	8	13	STR	8560	68
H7	2	13	STR	6120	12
H8	2	13	STR	3160	6
H9	14	13	STR	980	14
H10	2	13	STR	8680	17
N1	2	19	3	3360	15
N2	2	19	3	3220	14
N3	2	19	3	2960	20
N4	2	16	3	2780	13
N5	2	16	3	2580	12
N6	2	13	3	2480	7
N7	2	13	3	2240	4
N8	2	19	3	3400	15
N9	2	19	3	3200	29
N10	2	19	3	2980	33
N11	2	16	3	2740	21
N12	2	16	3	2520	20
N13	2	13	3	2300	11
N14	2	13	3	2080	10
S1	6	19	STR	2600	35
T1	3	16	STR	5240	24
T2	3	16	STR	9160	43
V1	2	13	STR	2740	5
V2	2	13	STR	2600	5
V3	2	13	STR	2340	7
V4	2	13	STR	2180	7
V5	2	13	STR	1860	6
V6	2	13	STR	1620	6
V7	2	13	STR	1480	3
V8	2	13	STR	2780	6
V9	4	13	STR	2580	10
V10	2	13	STR	2360	12
V11	2	13	STR	2120	11
V12	2	13	STR	1900	9
V13	2	13	STR	1680	8
V14	2	13	STR	1460	7
Z1	2	16	4	1980	6
Z2	2	16	4	1840	6
Z3	2	16	4	1680	8
Z4	2	16	4	1520	7
Z5	2	13	4	1340	4
Z6	2	13	4	1140	3
Z7	2	13	4	1020	2
Z8	2	16	4	2060	6
Z9	4	16	4	1940	12
Z10	5	16	4	1760	14
Z11	5	16	4	1560	12
Z12	5	13	4	1380	7
Z13	5	13	4	1200	6
Z14	5	13	4	1000	5

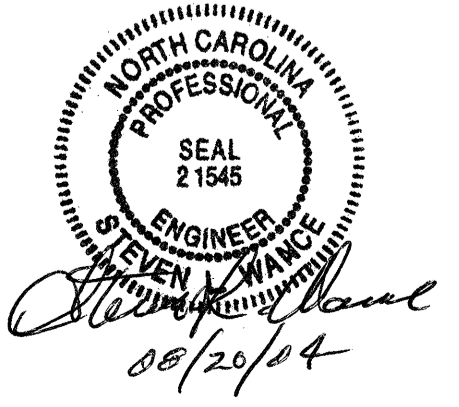
REINFORCING STEEL FOR 2 WING WALLS 713kg

CLASS A CONCRETE

2 WINGS	16.2 m <sup>3</sup>
1 HEADWALL	1.3 m <sup>3</sup>
1 END CURTAIN WALLS	1.5 m <sup>3</sup>
<b>TOTAL</b>	<b>19.0 m<sup>3</sup></b>



TYPICAL WING SECTION



PROJECT NO. R-513BA  
ROBESON COUNTY  
 STATION: 120+86.500 -L-

SHEET 5 OF 5

STATE OF NORTH CAROLINA  
 DEPARTMENT OF TRANSPORTATION  
 RALEIGH

**WINGS FOR CONCRETE BOX CULVERT**  
**H = 2.700m SLOPE 3:1**  
**120° FOR INLET WINGS**

ASSEMBLED BY :	N. Q. TRAN	DATE :	4-14-03
CHECKED BY :	SWANcPE	DATE :	08-06-04
DRAWN BY :	KJA	6/97	
CHECKED BY :	VAP	10/97	

FOR WING ORIENTATION, SEE BARREL STANDARD SHEET.

REVISIONS						SHEET NO.
NO.	BY:	DATE:	NO.	BY:	DATE:	C-24
1			3			TOTAL SHEETS
			4			24