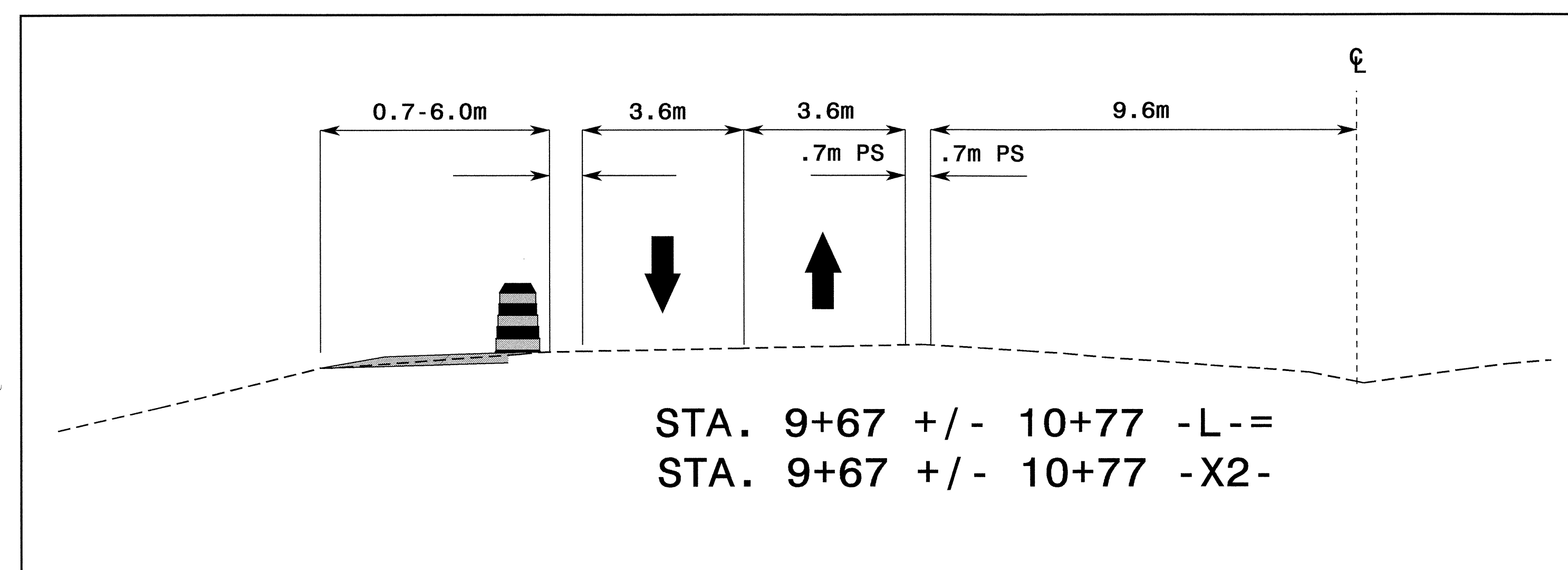
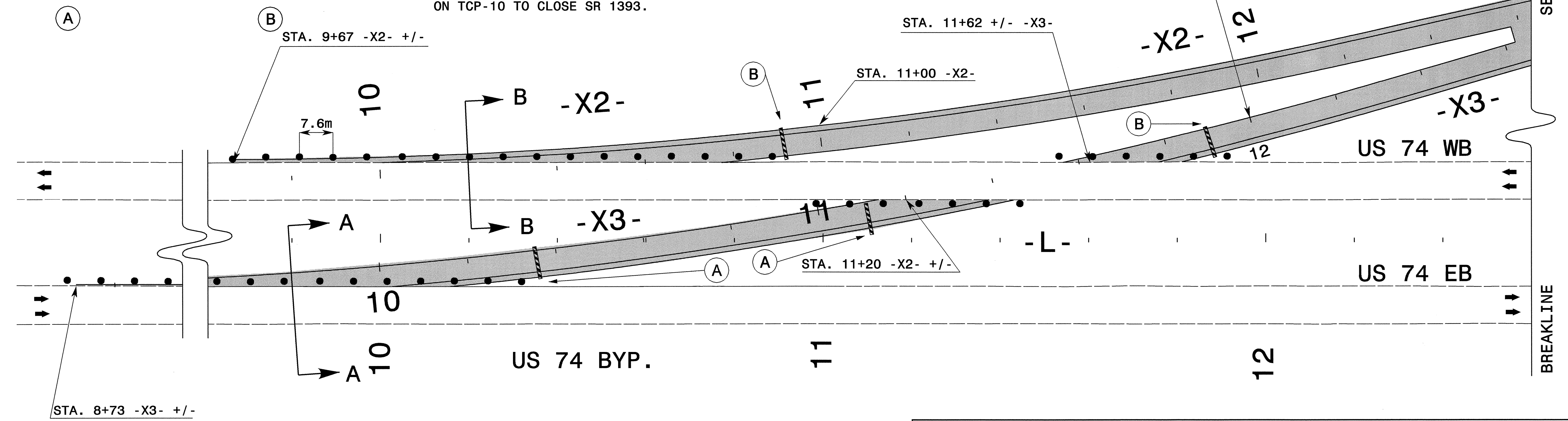
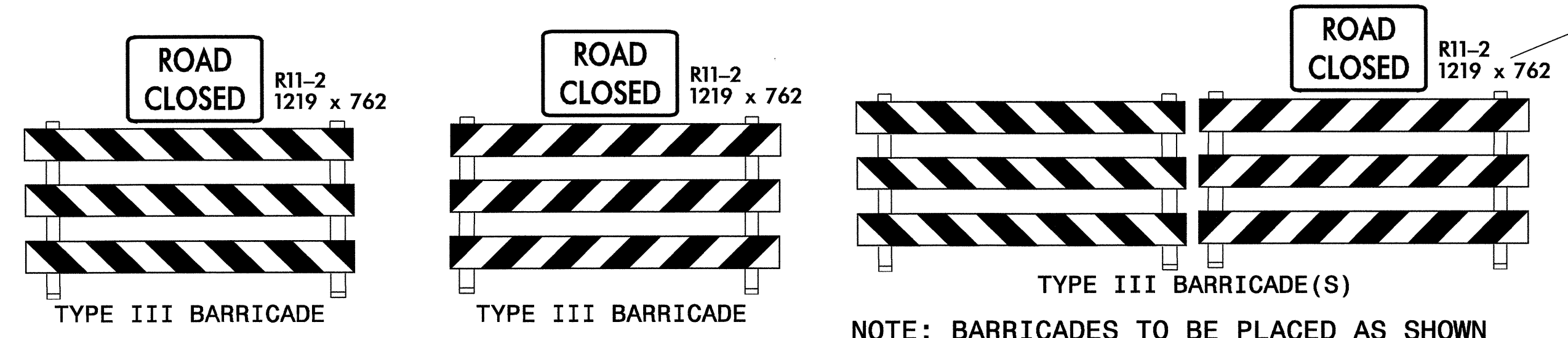


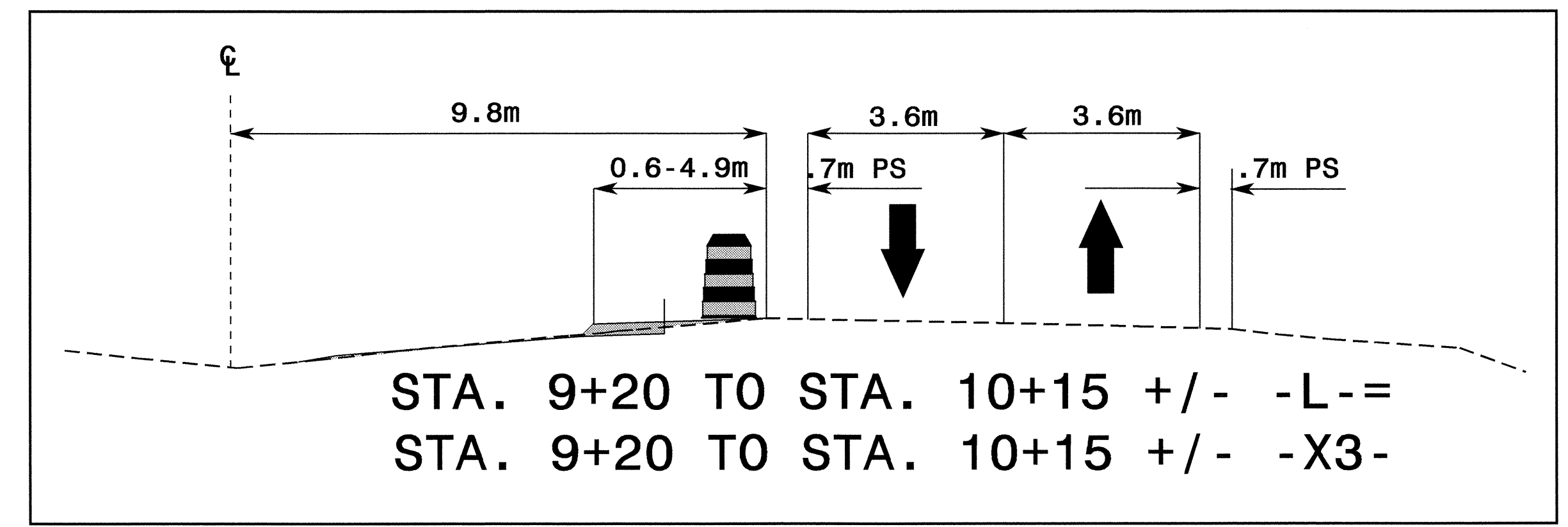
AREA I, US 74



PROJ. REFERENCE NO.	SHEET NO.
R-0513A	TCP-5



SECTION B-B



SECTION A-A

05-OCT-2004 16:28 W:\TCP\Phase1\R0513A\_TC\_Top5\_Phi.dgn ghayes AT TET019272

APPROVED:	DATE: 10/6/03	<b>AREA I, PHASE I DETAIL</b>							
SCALE: NONE	DATE: 03/03	<table border="1"> <tr> <th colspan="2">REVISIONS</th> </tr> <tr> <td> </td> <td> </td> </tr> <tr> <td> </td> <td> </td> </tr> </table>		REVISIONS					
REVISIONS									
DWG. BY: DAH	DESIGN BY: DAH								
REVIEWED BY: JDK									