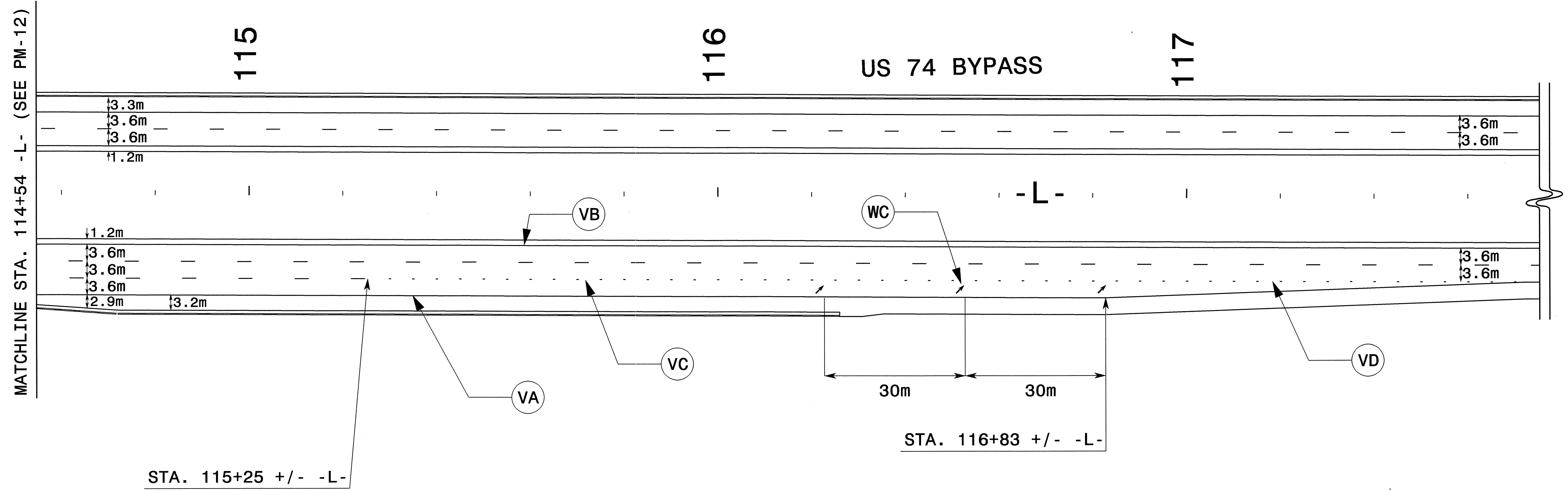




PROJ. REFERENCE NO.	SHEET NO.
R-0513A	PM-13



POLYUREA LEGEND (STANDARD BEADS)	
POLYUREA (100MM)	
VA	WHITE EDGELINE
VB	YELLOW EDGELINE
VC	3 M. WHITE SKIP
VD	0.5 M. WHITE MINISKIP
POLYUREA (200MM)	
VP	WHITE GORELINE
POLYUREA SYMBOLS	
WA	LEFT ARROW
WB	RIGHT ARROW
WC	STRAIGHT ARROW
WF	COMBO. STRAIGHT/LEFT
WG	LEFT/RIGHT/STRAIGHT

APPROVED: <i>John S. Kite, Jr.</i> DATE: 8/20/03	FINAL PAVEMENT MARKING PLAN	
SCALE: NONE		REVISIONS
DATE: 08/03		
DWG. BY: DAH		
DESIGN BY: DAH		
REVIEWED BY: JDK		CADD FILE

20-AUG-2004 09:44
 T:\TCP\PMR\R0513A_TC\FMPL3.dgn
 dhoyes AT TET19272