
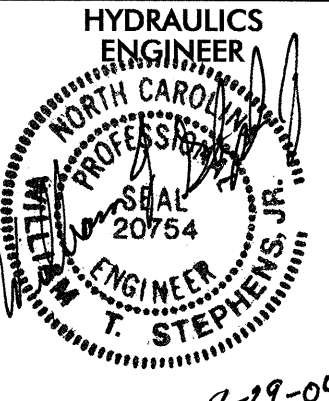
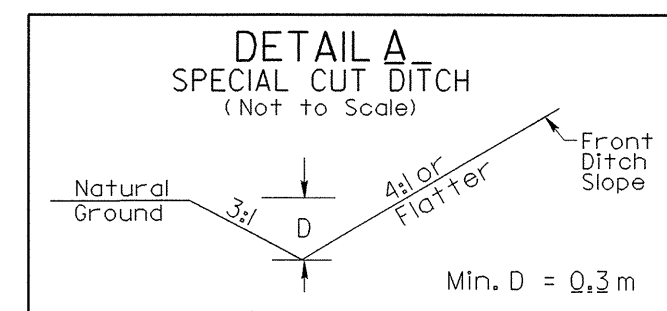


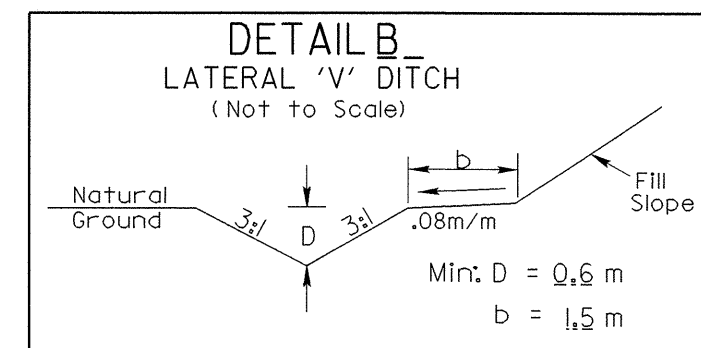
DRAINAGE DITCH DETAILS

	PROJECT REFERENCE NO.	SHEET NO.
	R-0513A	2-0
	R/W SHEET NO.	
		
CONST. REV.		
R/W REV.		

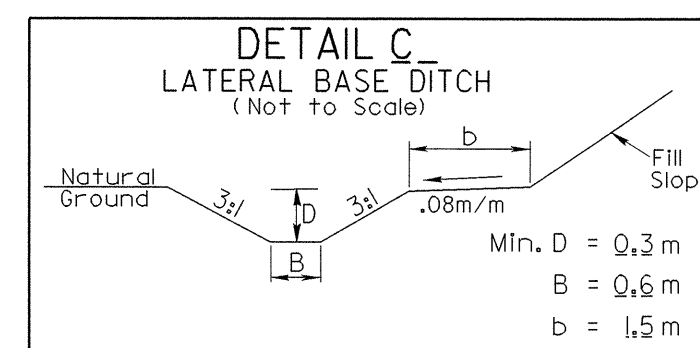
TGS Engineers
975 Walnut Street, Suite 141
Cary, NC 27511



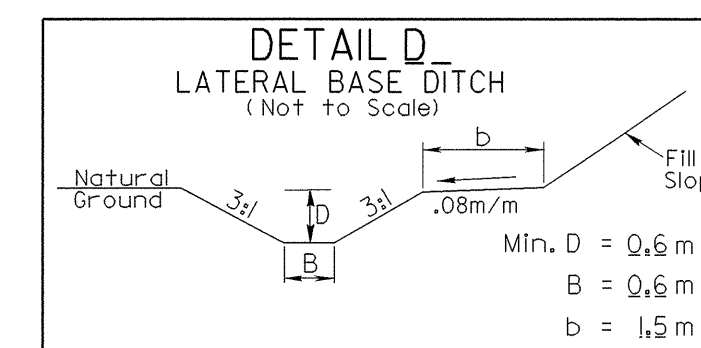
- Y1- 10+80 TO 11+25 RT. & LT.
- Y2- 11+00 TO 12+35 LT
- SR1- 12+48 TO 15+40 RT.



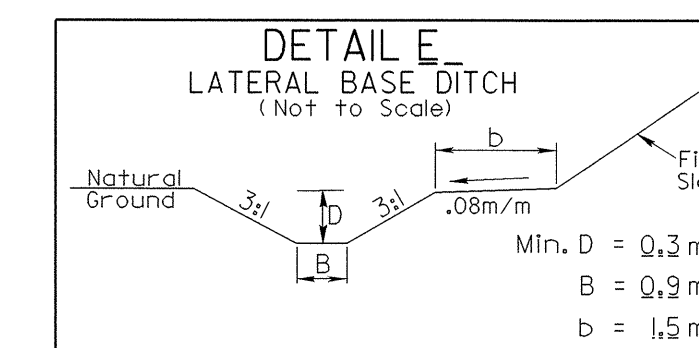
- SR1- 14+60 TO 17+63 LT. DDE 852 CM



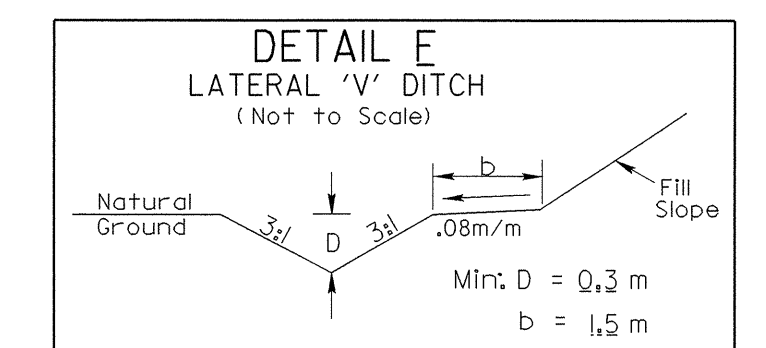
- L- 53+25 TO 54+80 LT. DDE 109 CM
- L- 57+50 TO 60+10 LT. DDE 573 CM
- L- 62+20 TO 64+88 RT. DDE 213 CM
- L- 62+20 TO 64+03 LT. DDE 359 CM
- LPDY1- 10+00 TO 11+18 RT. DDE 225 CM
- Y2- 12+64 TO 13+00 LT DDE 140 CM
- Y2- 13+33 TO 14+24 LT DDE 231 CM
- SR3- 11+40 TO 13+83 RT DDE 442 CM
- SR3- 18+60 TO 19+80 RT NO OUTSIDE BERM DDE 629 CM



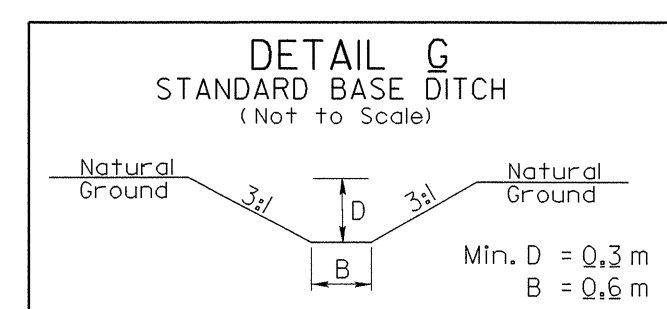
- L- 27+77 TO 28+05 LT. DDE 61 CM
- RPAY1- 10+00 TO 13+80 RT DDE 1038 CM
- RPCY2- 14+30 TO 15+60 LT DDE 227 CM
- SR1- 17+70 TO 20+12 LT. DDE 724 CM
- SR2- 21+37 TO 23+60 RT. DDE 843 CM
- SR2- 28+28 TO 35+27 RT DDE 1418 CM.



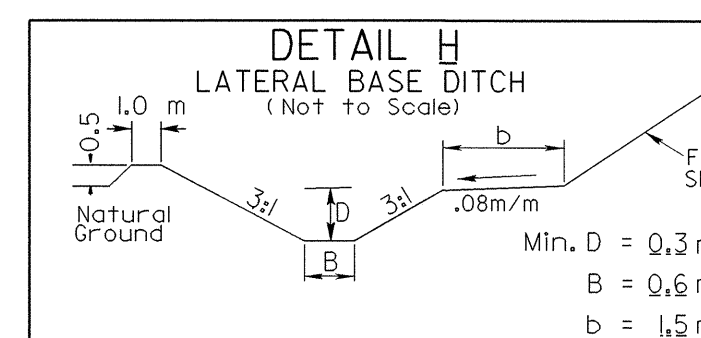
- L- 11+80 TO 12+02 LT. DDE 43 CM



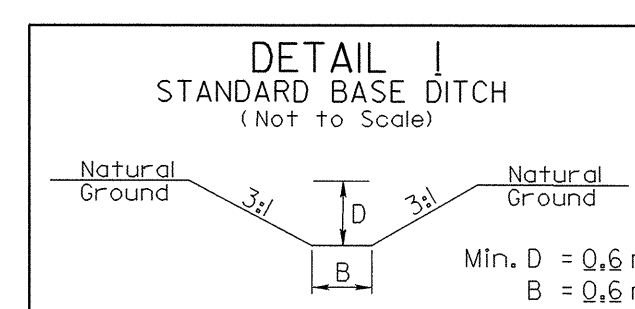
- Y2- 19+10 TO 20+20 LT DDE 208 CM
- SR1- 22+50 TO 24+05 LT DDE 229 CM



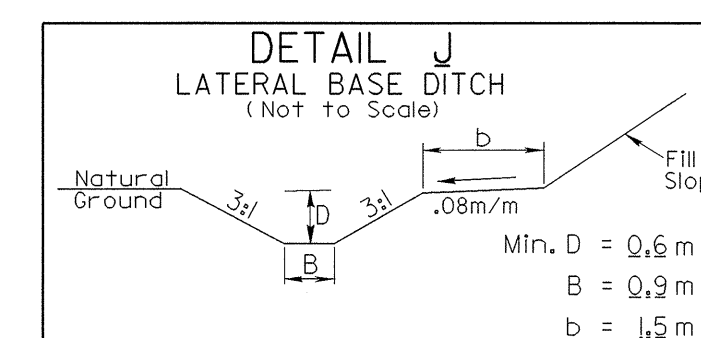
- L- 25+30 LT DDE 28 CM



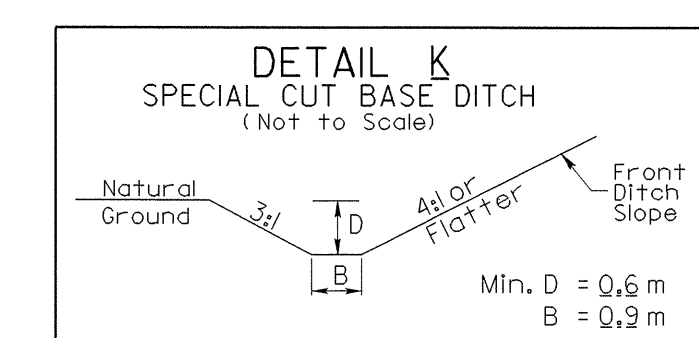
- LPDY1- 11+18 TO 12+20 RT. DDE 125 CM
- SR3- 19+80 TO 20+62 RT W/OUTSIDE BERM DDE 97 CM



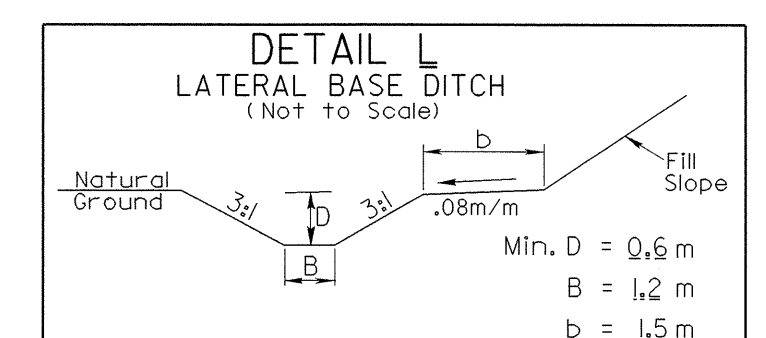
- RPDY2- 14+00 LT. DDE 46 CM



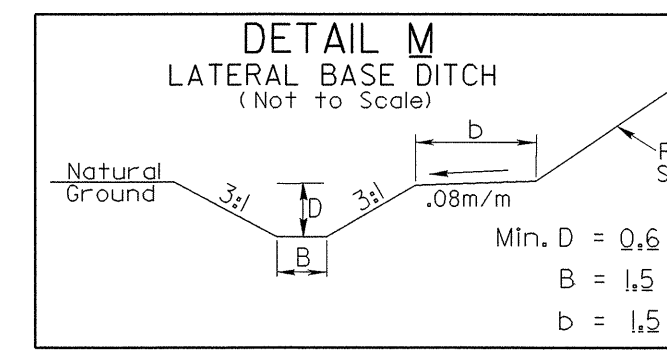
- L- 74+20 TO 78+32 LT DDE 1680 CM
- Y2- 18+60 TO 18+80 RT. DDE 72 CM
- SR2- 35+27 TO 39+27 RT DDE 931 CM.



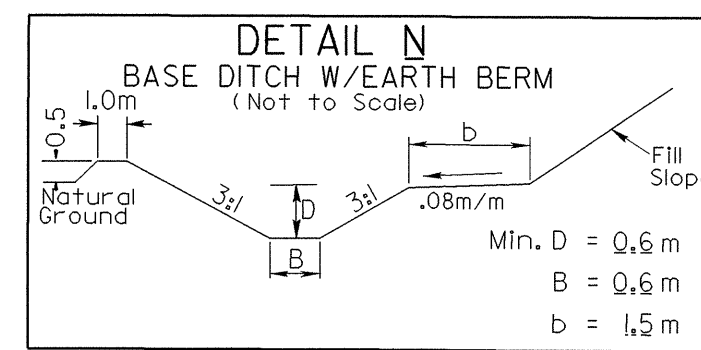
- Y2- 11+04 TO 11+60 RT



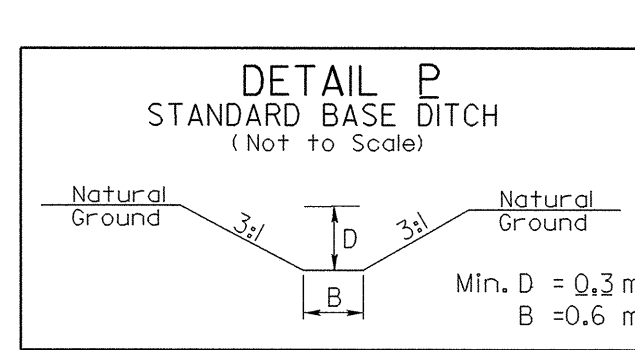
- L- 46+00 TO 53+25 LT DDE 2003 CM.



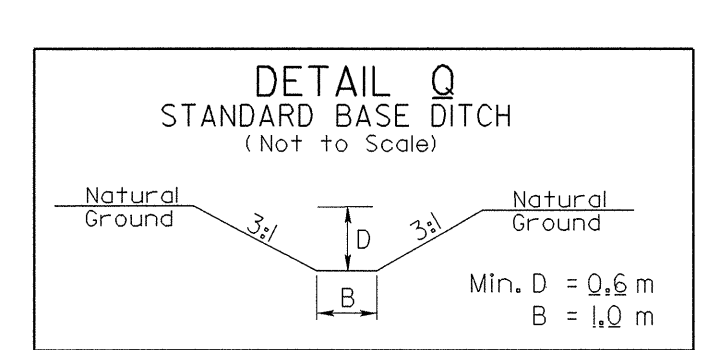
- RPCY1- 10+70 TO 13+00 RT DDE 2488 CM.



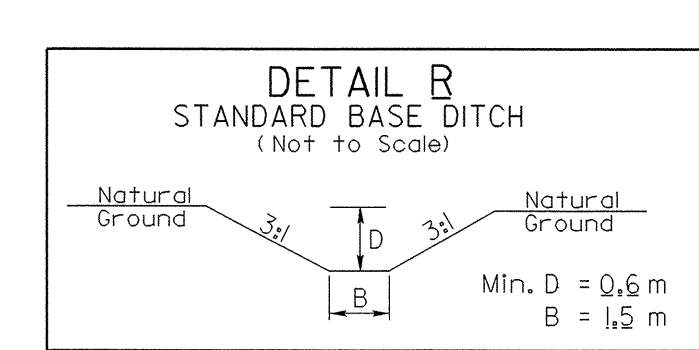
- RPAY2- 10+12 TO 12+80 RT DDE 153 CM
- SR2- 23+60 TO 24+66 RT DDE 44 CM.



- Y1- 23+00 LT DDE 27 CM.
- LPDY1- 11+20 LT DDE 100 CM.
- RPDY2- 12+53 LT DDE 34 CM.



- SR3- 13+70 LT DDE 11 CM



- L- STA 15+85 TO 16+55 RT DDE 1343 CM.
- L- 53+25 LT. DITCH CLEAN OUT +/-50m DDE 30 CM

