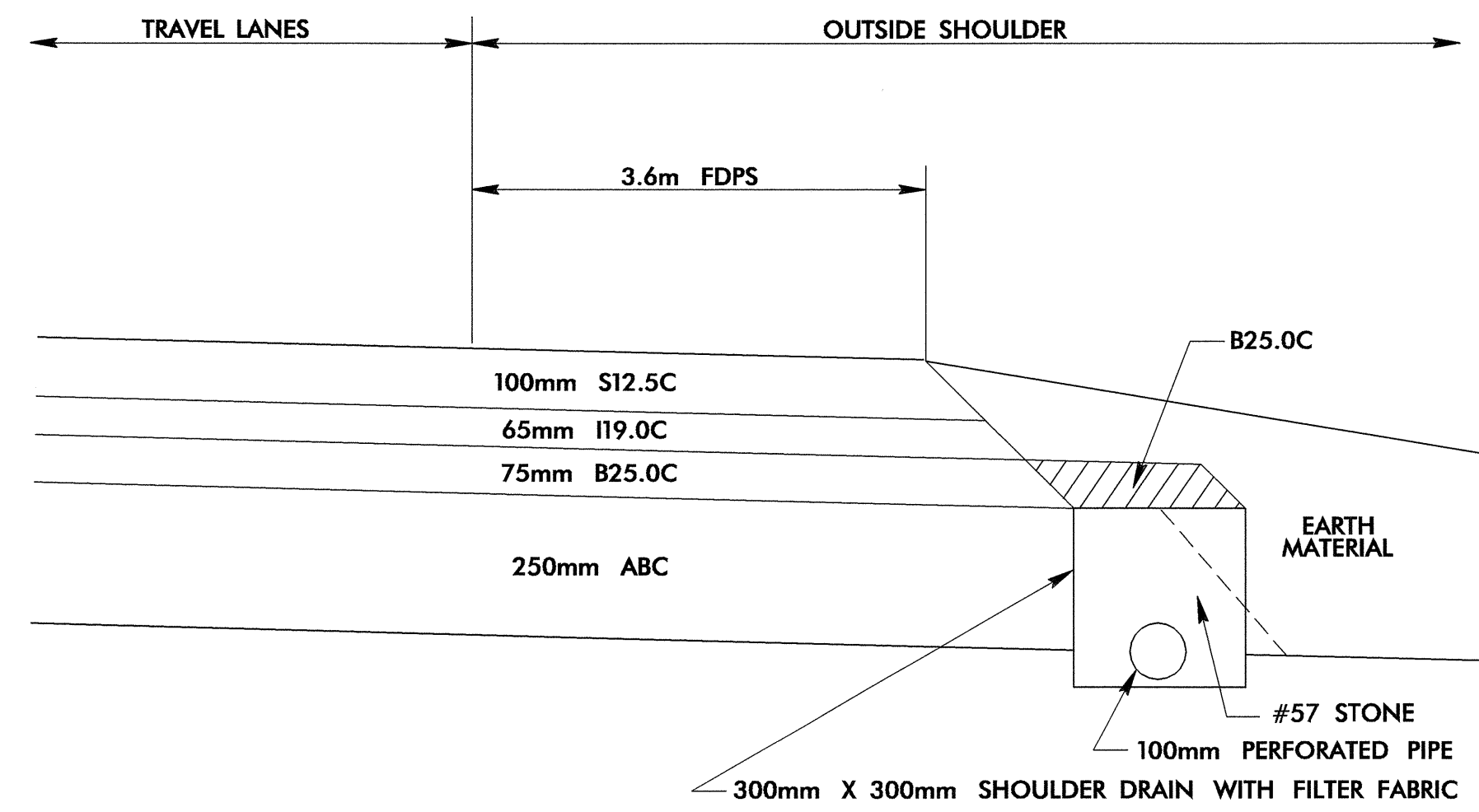


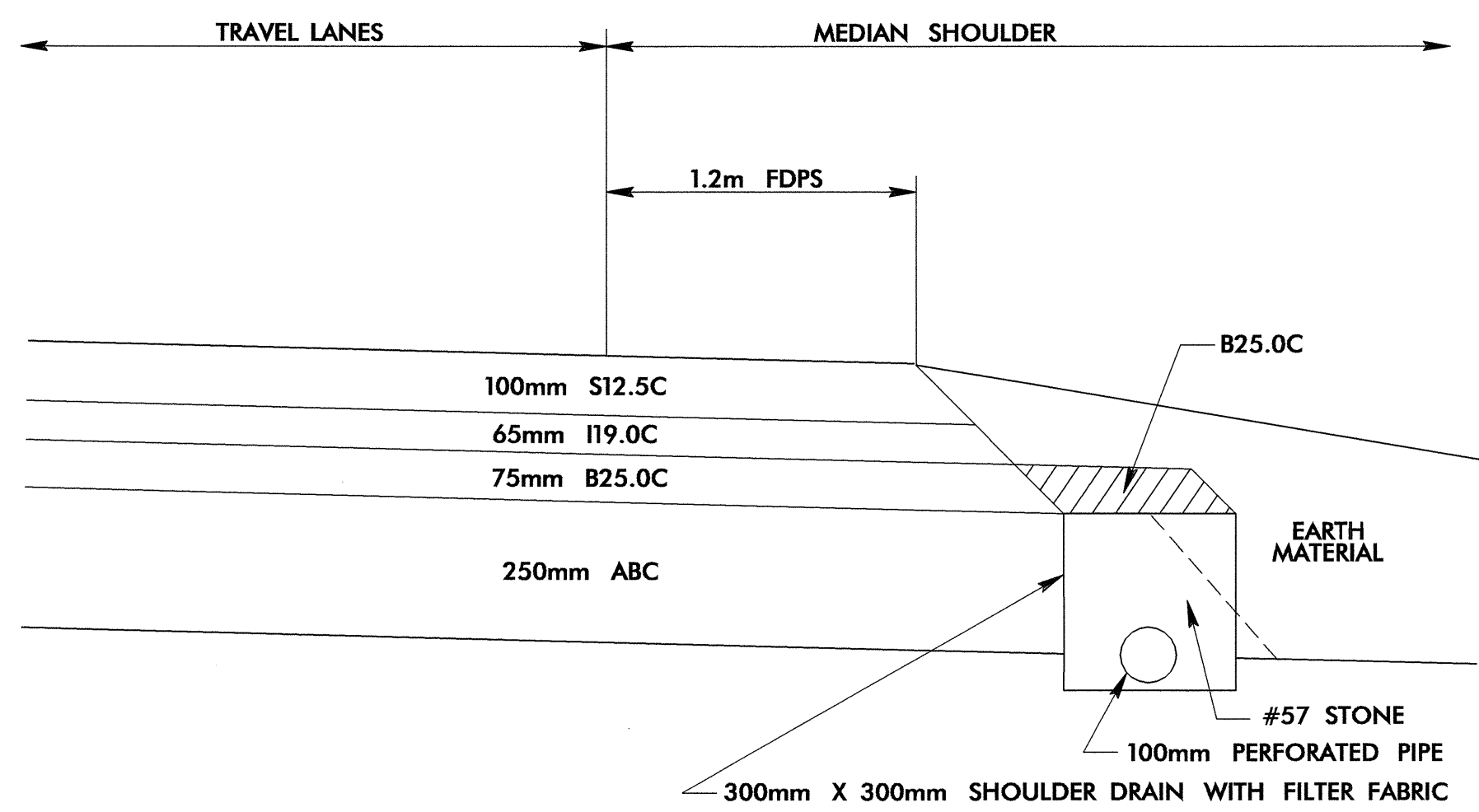


PROJECT REFERENCE NO. R-0513A	SHEET NO. 2-P
PAVEMENT DESIGN ENGINEER	



SHOULDER DRAIN DETAIL 1

NOTE: SEE SHEET 3-I FOR SHOULDER DRAIN SUMMARY



SHOULDER DRAIN DETAIL 2