



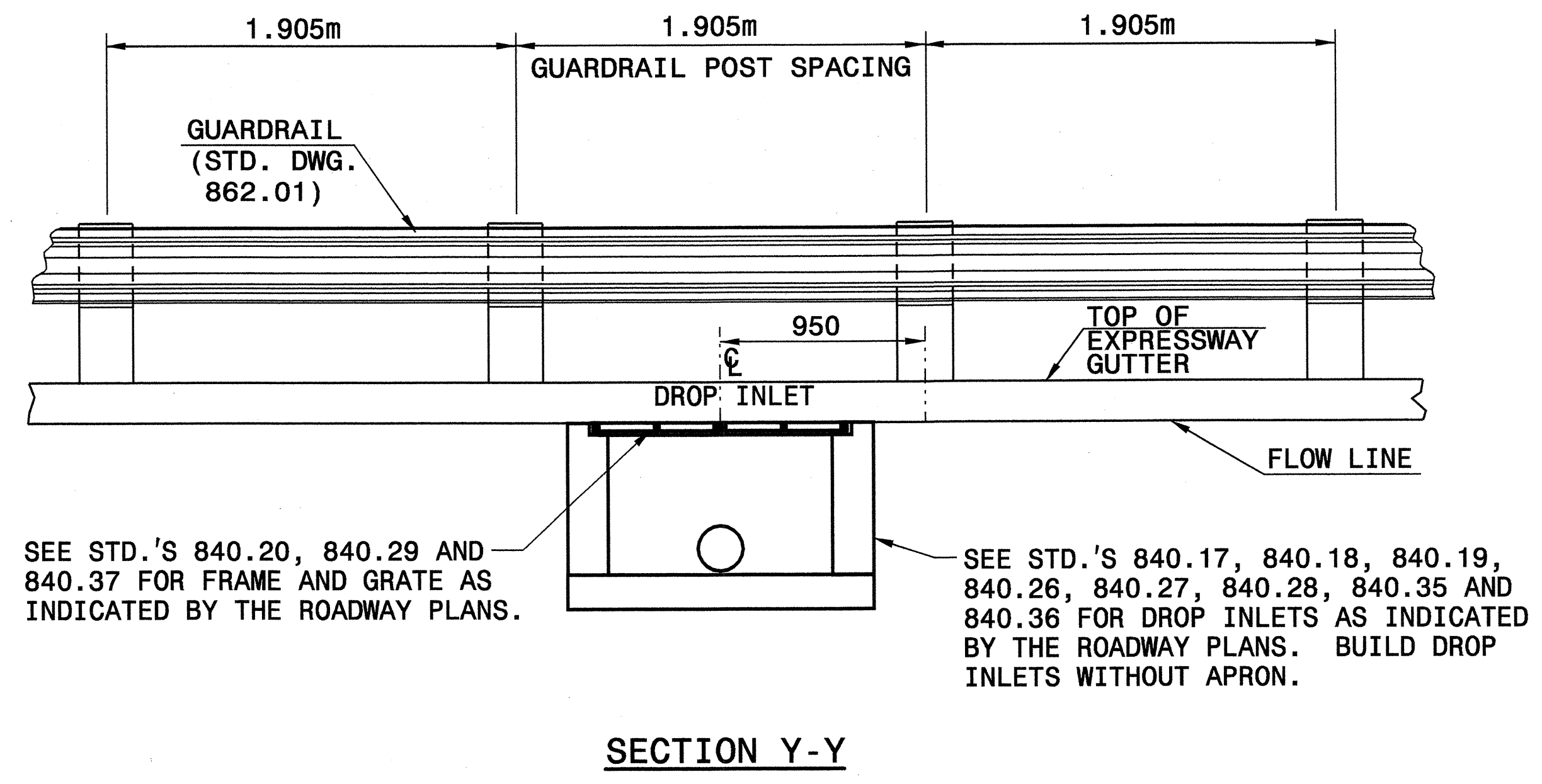
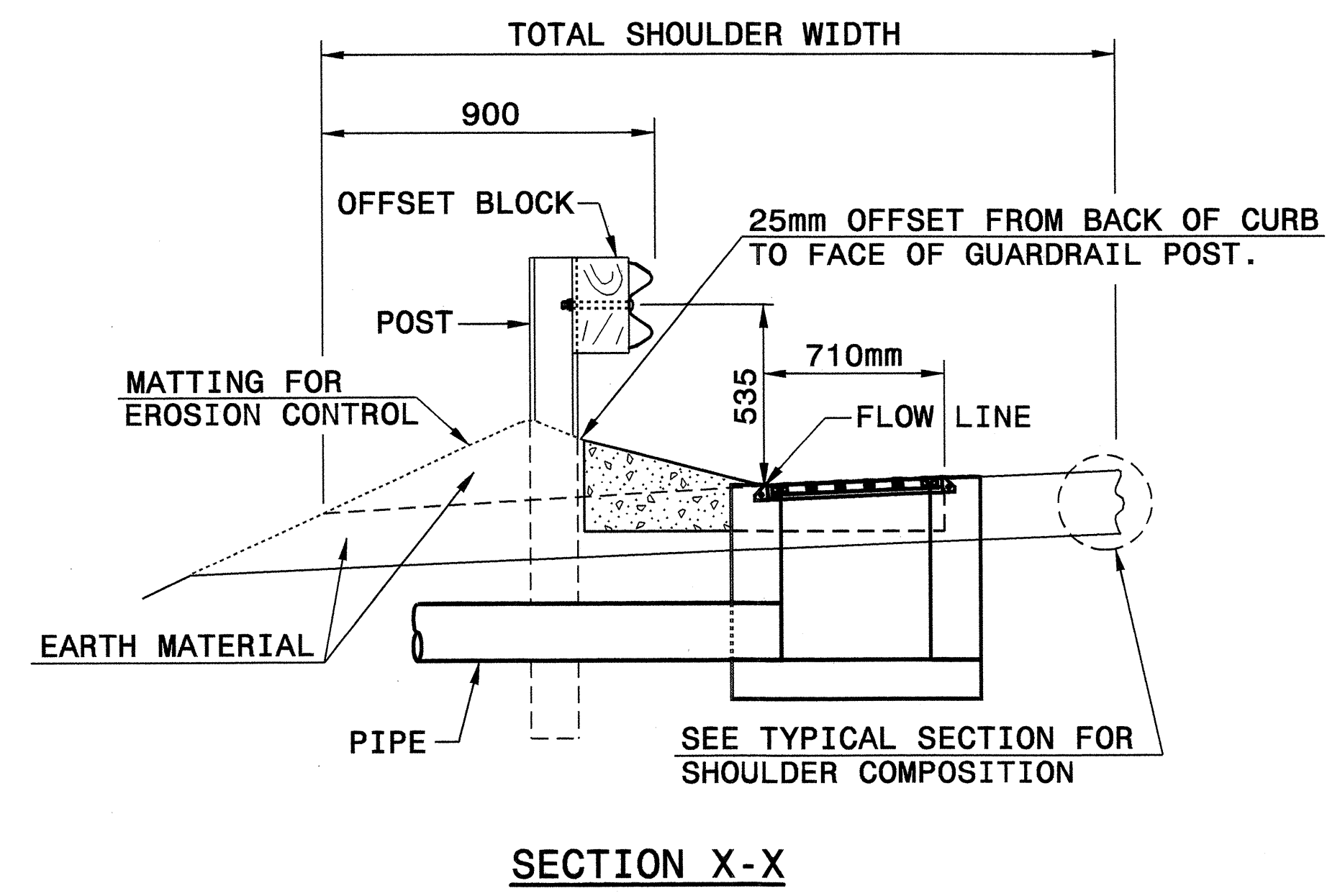
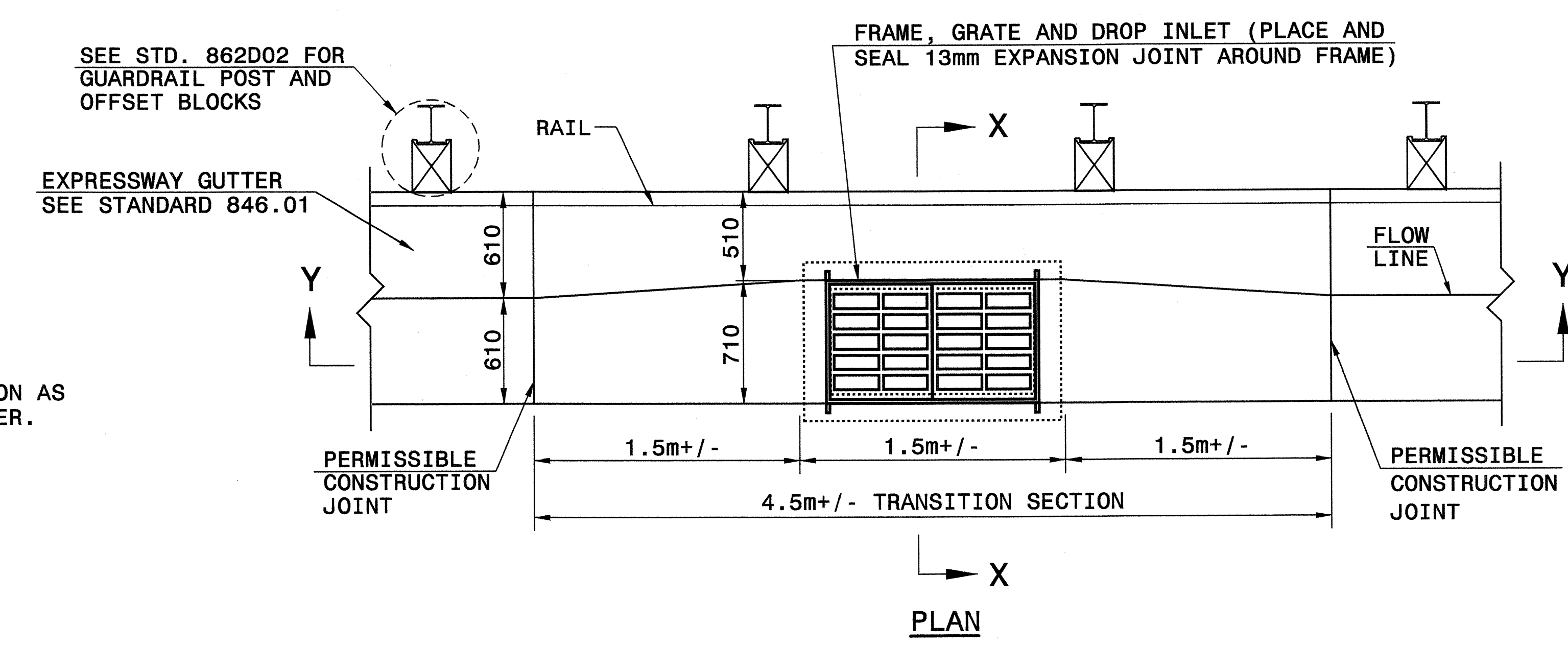
STATE OF NORTH CAROLINA
DEPT. OF TRANSPORTATION
DIVISION OF HIGHWAYS
RALEIGH, N.C.

STATE OF NORTH CAROLINA
DEPT. OF TRANSPORTATION
DIVISION OF HIGHWAYS
RALEIGH, N.C.

METRIC DETAIL DRAWING FOR
DROP INLET INSTALLATION IN EXPRESSWAY GUTTER

METRIC DETAIL DRAWING FOR
DROP INLET INSTALLATION IN EXPRESSWAY GUTTER

GENERAL NOTES:
-PAY FOR TRANSITION SECTION AS CONCRETE EXPRESSWAY GUTTER.
-GUARDRAIL OPTIONAL

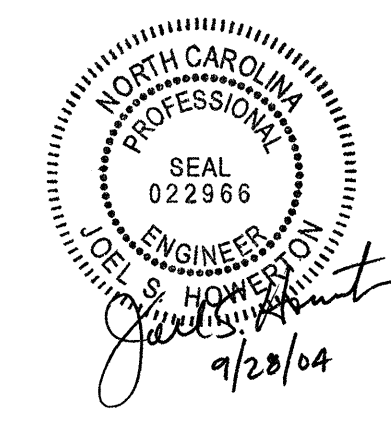


Note:
This drawing is dimensioned in millimeters unless otherwise depicted within the drawing.

DROP INLET INSTALLATION IN EXPRESSWAY GUTTER

SHEET 1 OF 1
846D02

SHEET 1 OF 1
846D02



DESIGN SERVICES UNIT
STANDARDS AND SPECIAL DESIGN
Office 919-250-4128 FAX 919-250-4119

SEE PLATE FOR TITLE

ORIGINAL BY: 2002 STANDARDS DATE: 01-15-02
MODIFIED BY: E.E. WARD DATE: 04-07-04
CHECKED BY: [Signature] DATE: 4-12-04
FILE SPEC.: stds/02stdstodetails/metric/846d02m.dgn

Q:\566-2004\1655\1\stds\stds\metric\846d02\0546d02m.dgn