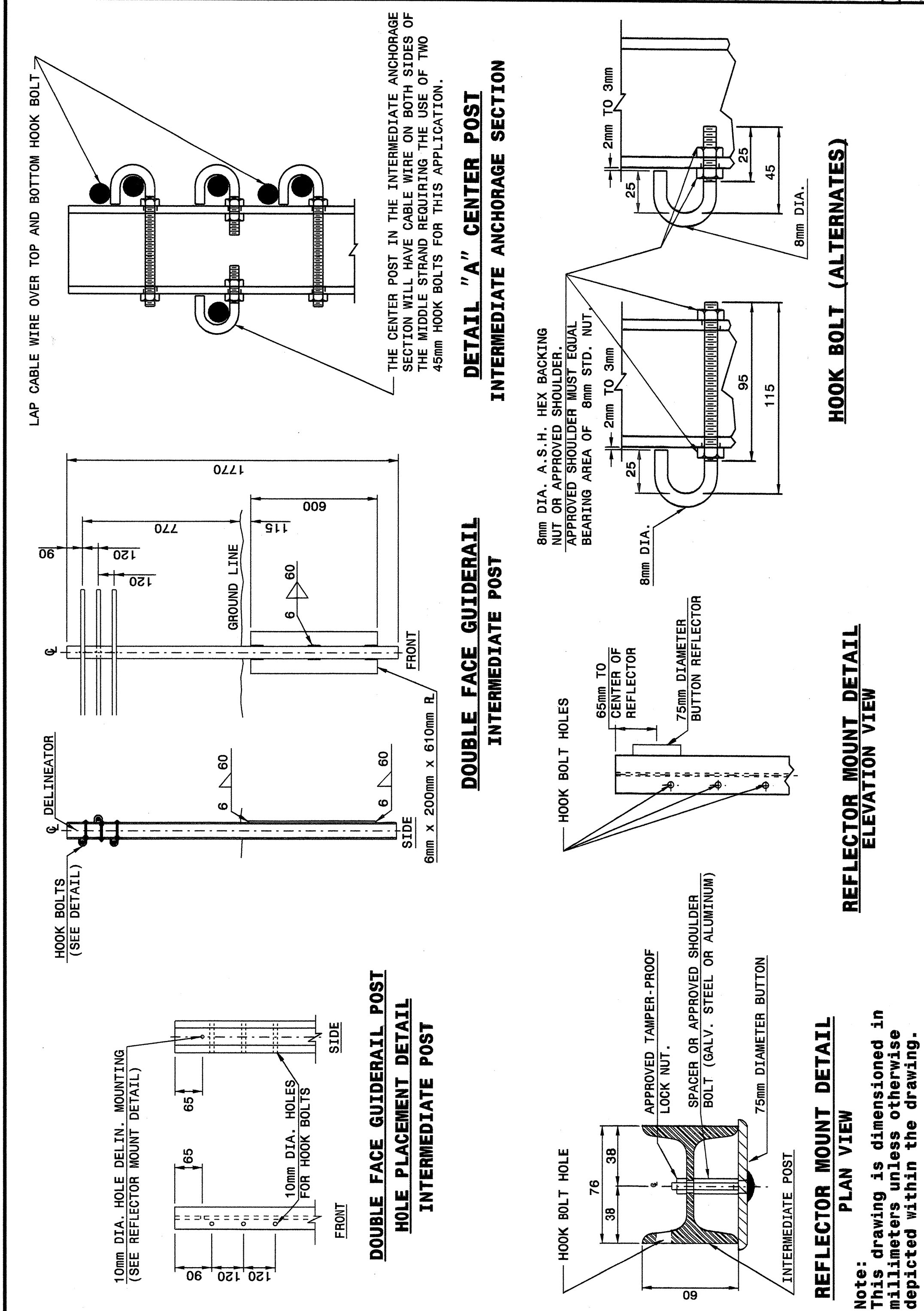




STATE OF NORTH CAROLINA DEPT. OF TRANSPORTATION DIVISION OF HIGHWAYS RALEIGH, N.C.

METRIC DETAIL DRAWING FOR CABLE GUIDERAIL - POST DETAILS

SHEET 5 OF 11 865D01



STATE OF NORTH CAROLINA DEPT. OF TRANSPORTATION DIVISION OF HIGHWAYS RALEIGH, N.C.

METRIC DETAIL DRAWING FOR CABLE GUIDERAIL DOUBLE FACE GUIDERAIL - POST DETAILS

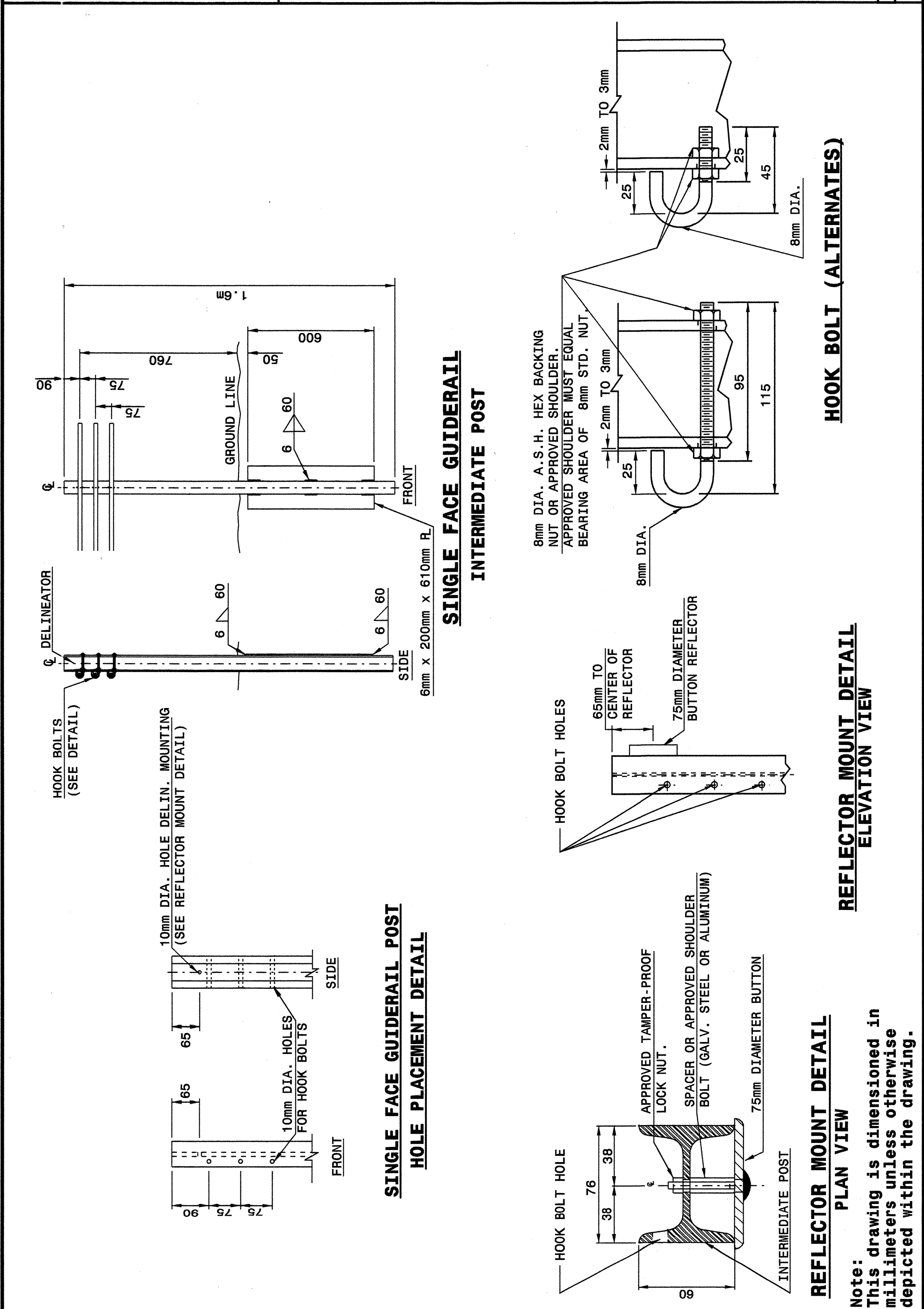
SHEET 5 OF 11 865D01

Note: This drawing is dimensioned in millimeters unless otherwise depicted within the drawing.

STATE OF NORTH CAROLINA DEPT. OF TRANSPORTATION DIVISION OF HIGHWAYS RALEIGH, N.C.

METRIC DETAIL DRAWING FOR CABLE GUIDERAIL - POST DETAILS

SHEET 6 OF 11 865D01

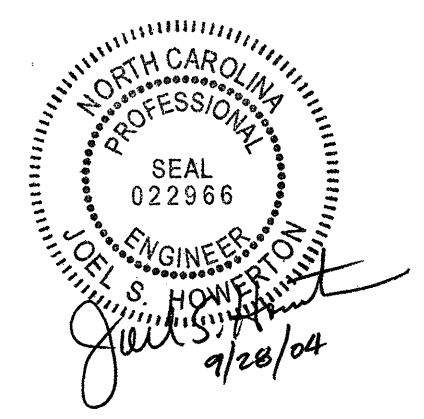


STATE OF NORTH CAROLINA DEPT. OF TRANSPORTATION DIVISION OF HIGHWAYS RALEIGH, N.C.

METRIC DETAIL DRAWING FOR CABLE GUIDERAIL SINGLE FACE GUIDERAIL - POST DETAILS

SHEET 6 OF 11 865D01

Note: This drawing is dimensioned in millimeters unless otherwise depicted within the drawing.



DESIGN SERVICES UNIT  
STANDARDS AND SPECIAL DESIGN  
Office 919-250-4128 FAX 919-250-4119

**SEE PLATE FOR TITLE**

ORIGINAL BY: 2002 STANDARDS DATE: 1-15-02  
 MODIFIED BY: E.E. WARD DATE: 4-07-04  
 CHECKED BY: J. Howerton DATE: 7-16-04  
 FILE SPEC.: /usr/std/02stds to details/metric/86501/0865d01.dgn

I:\APR-2004\0945\specs\standards\02stds to Special Details\metric\86501\0865d01.dgn