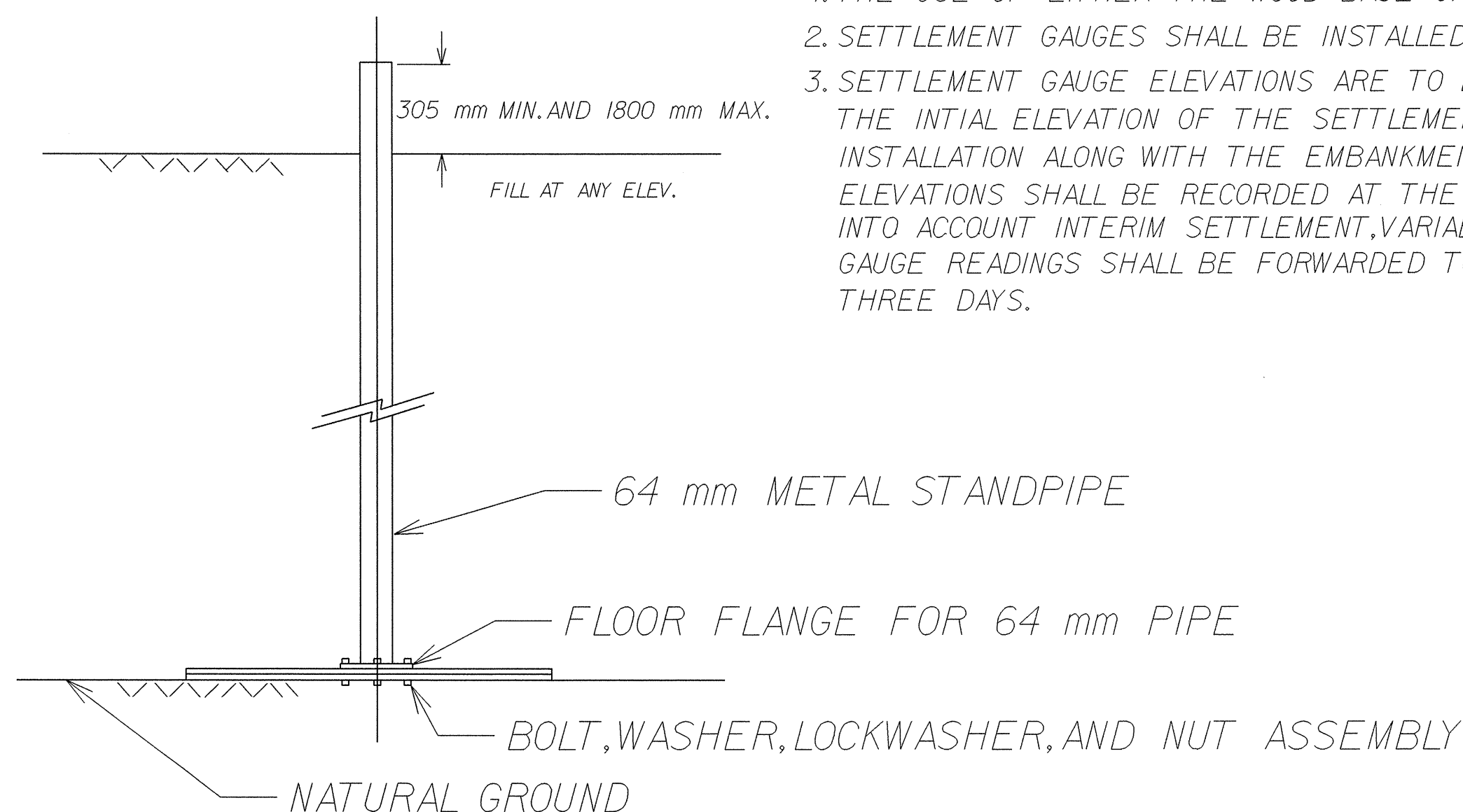
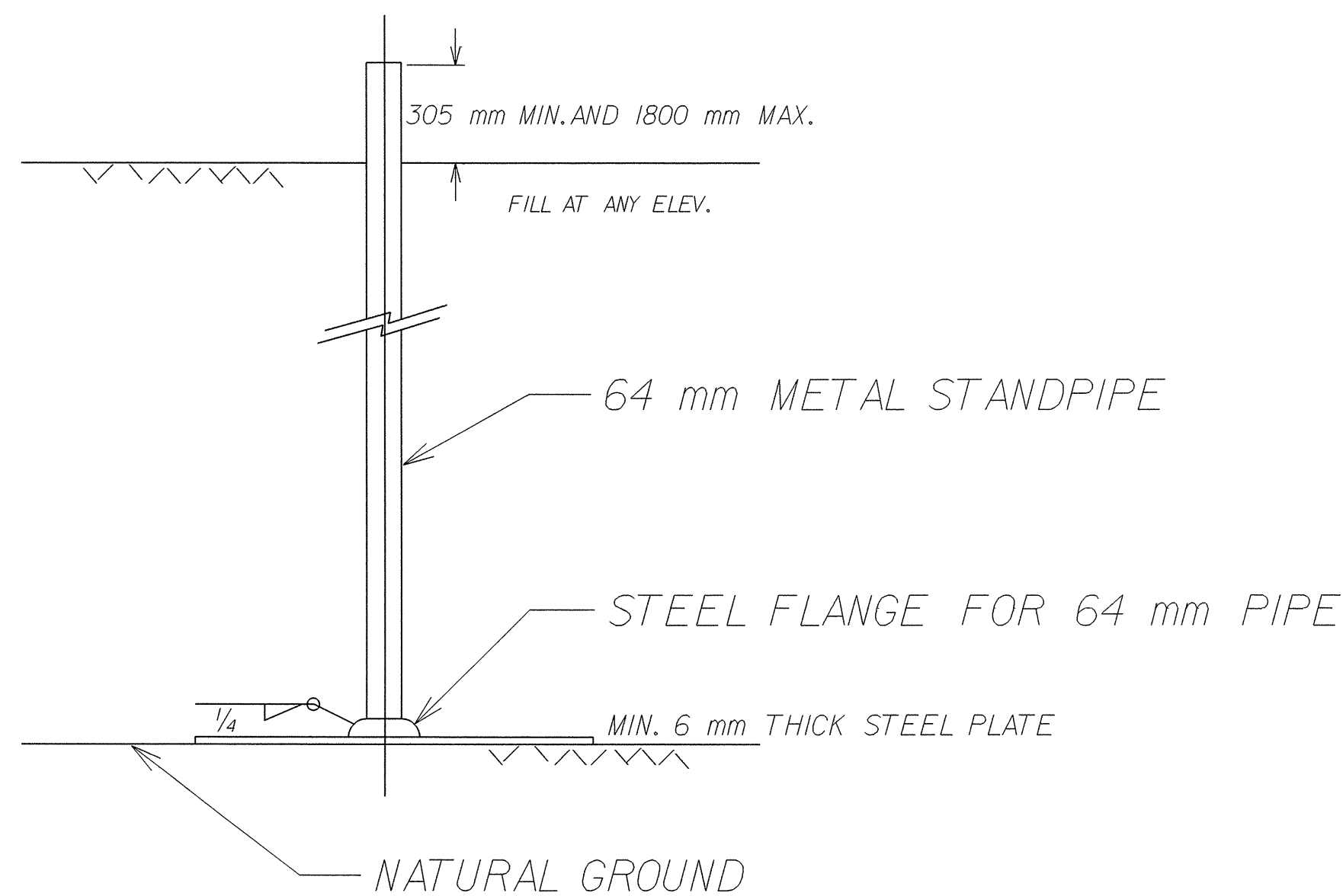


SIX - 25mm X 305mm X 915mm PLANKS OF LUMBER OR TWO PIECES 25mm X 915mm X 915mm EXTERIOR GRADE PLYWOOD, SECURELY FASTENED AND THEN COATED WITH WOOD PRESERVATIVE



NOTES:

1. THE USE OF EITHER THE WOOD BASE OR THE STEEL BASE SETTLEMENT GAUGE SHALL BE THE CONTRACTOR'S OPTION.
2. SETTLEMENT GAUGES SHALL BE INSTALLED BEFORE ANY FILL IS PLACED.
3. SETTLEMENT GAUGE ELEVATIONS ARE TO BE DETERMINED AND RECORDED WEEKLY BY THE RESIDENT ENGINEER. THE INITIAL ELEVATION OF THE SETTLEMENT GAUGE PLATE (AT TOP OF PLATE) SHALL BE DETERMINED AT THE TIME OF INSTALLATION ALONG WITH THE EMBANKMENT ELEVATION AT THE TIME WHEN NEW SECTIONS OF THE PIPE ARE ADDED. ELEVATIONS SHALL BE RECORDED AT THE TOP OF EXISTING PIPE AND AT THE TOP OF THE NEW PIPE. THIS IS TO TAKE INTO ACCOUNT INTERIM SETTLEMENT, VARIABLE PIPE LENGTHS, AND THREAD LENGTHS IN COUPLING. RESULTS OF SETTLEMENT GAUGE READINGS SHALL BE FORWARDED TO NCDOT GEOTECHNICAL ENGINEERING UNIT EASTERN REGIONAL OFFICE WITHIN THREE DAYS.

QUANTITY	
EMBANKMENT SETTLEMENT GAUGE.....	5 each

LOCATIONS	
STATION 16+50 -Y2-, CENTERLINE	
STATION 17+31 -Y2-, CENTERLINE	
STATION 13+80 -RPCY2-, CENTERLINE	
STATION 16+00 -RPCY2-, CENTERLINE	
STATION 14+40 -RPDY2-, CENTERLINE	

## EMBANKMENT SETTLEMENT GAUGE DETAIL

NOT TO SCALE

PROJECT NO. 6.469002T (R-0513A)  
 ROBESON COUNTY  
 STATION SEE SPECIAL PROVISIONS

STATE OF NORTH CAROLINA  
 DEPARTMENT OF TRANSPORTATION  
 RALEIGH

PLANS FOR  
 EMBANKMENT MONITORING

DRAWN BY : J.B. NIXON DATE : 7/01  
 CHECKED BY : S.A. HIDDEN, P.E. DATE : 7/01

REVISIONS						SHEET NO.
NO.	BY:	DATE:	NO.	BY:	DATE:	2-KK
1			3			TOTAL SHEETS
2			4			