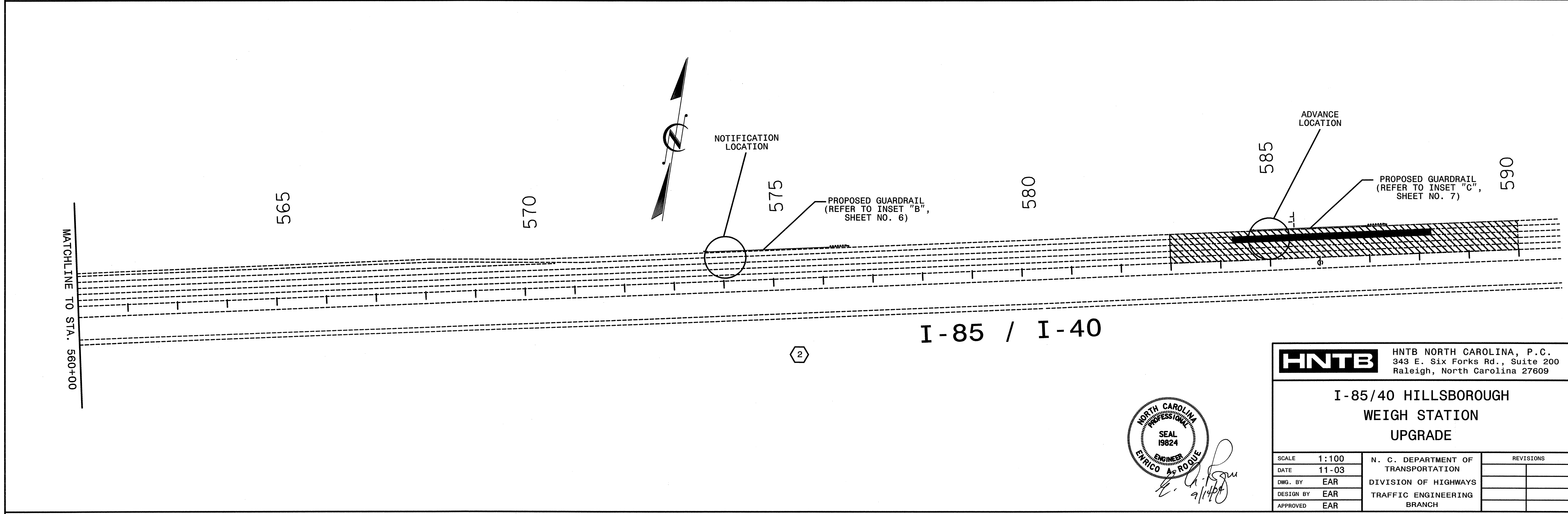
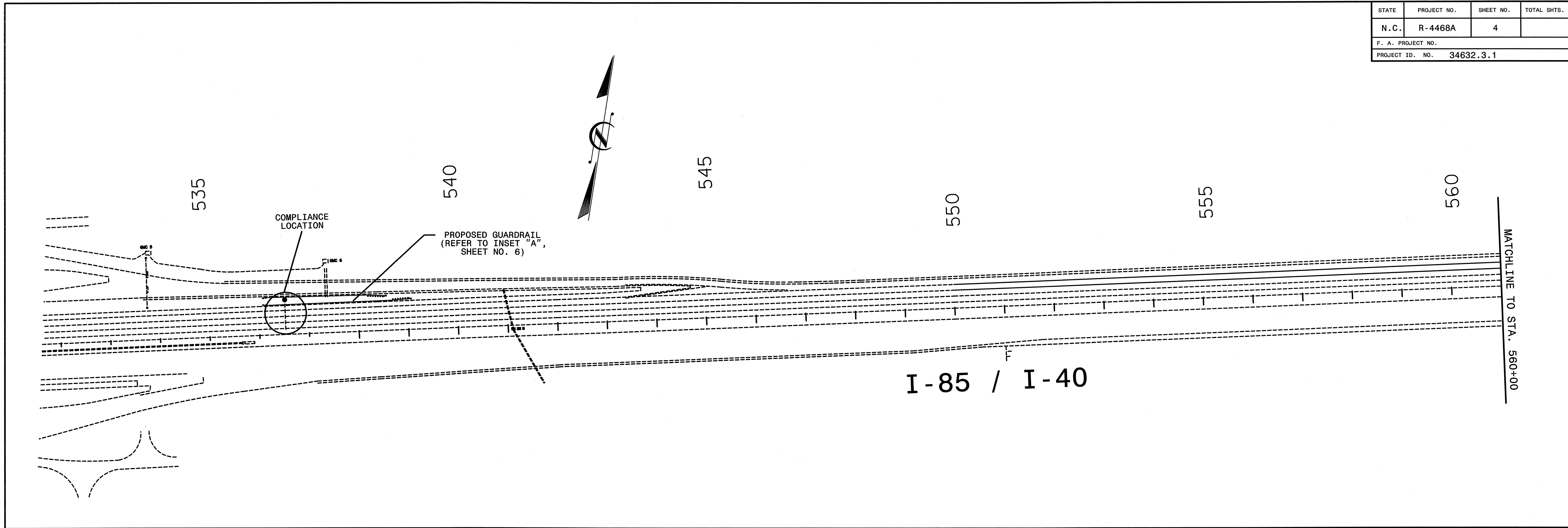


STATE	PROJECT NO.	SHEET NO.	TOTAL SHTS.
N.C.	R-4468A	4	
F. A. PROJECT NO.			
PROJECT ID. NO. 34632.3.1			



HNTB HNTB NORTH CAROLINA, P.C.
343 E. Six Forks Rd., Suite 200
Raleigh, North Carolina 27609

**I-85/40 HILLSBOROUGH
WEIGH STATION
UPGRADE**

SCALE	1:100	N. C. DEPARTMENT OF TRANSPORTATION DIVISION OF HIGHWAYS TRAFFIC ENGINEERING BRANCH	REVISIONS
DATE	11-03		
DWG. BY	EAR		
DESIGN BY	EAR		
APPROVED	EAR		

