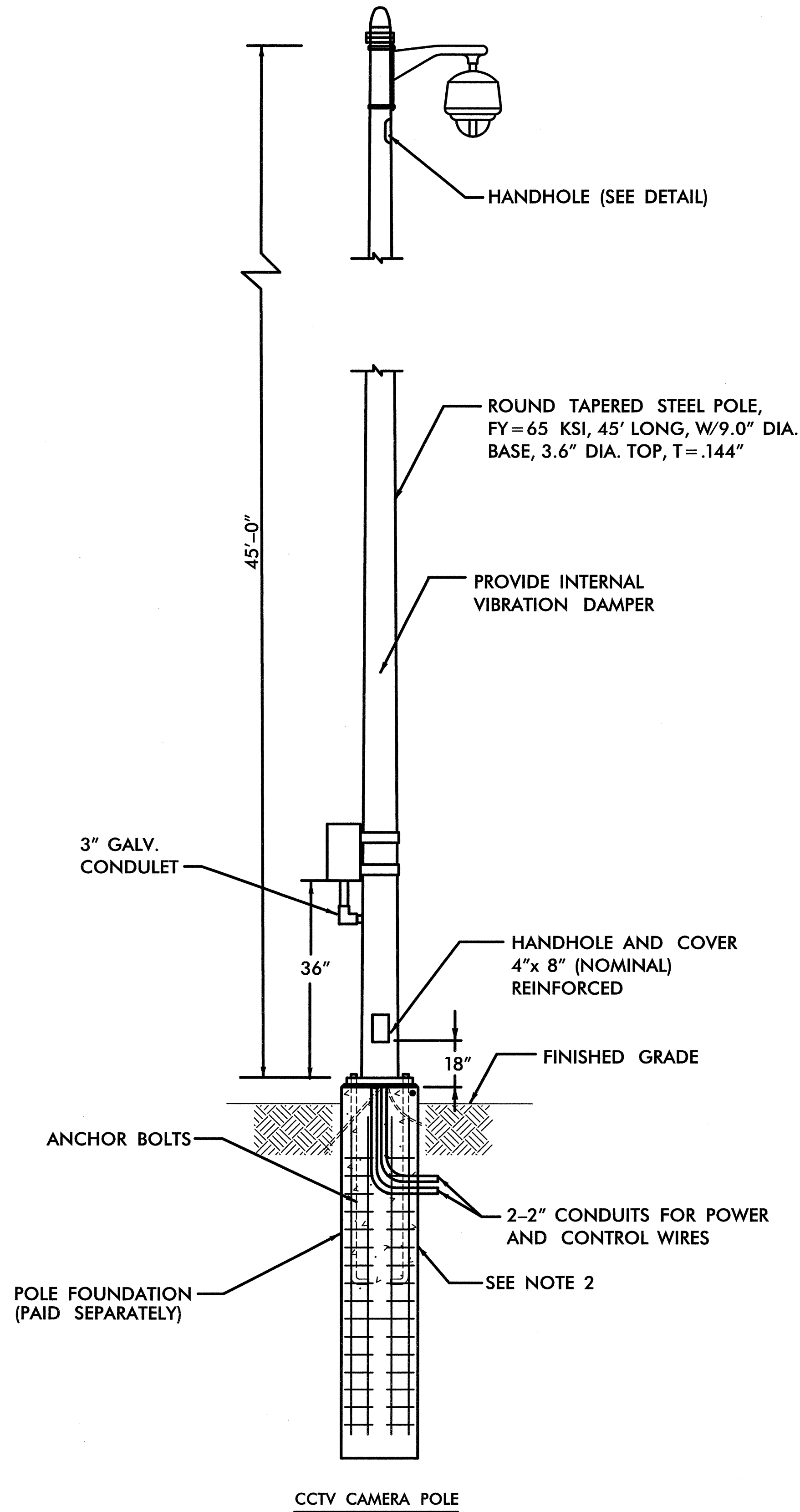
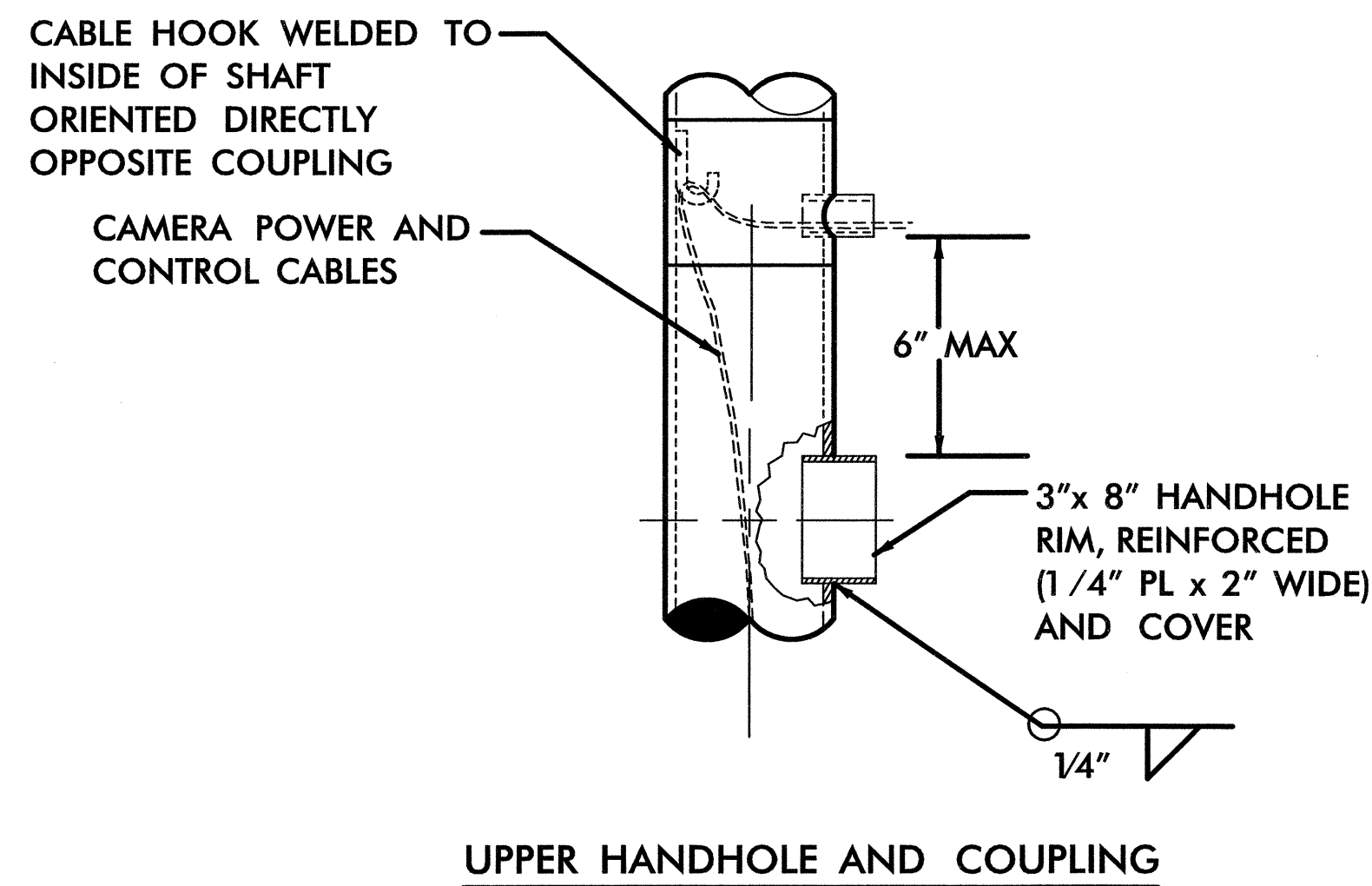
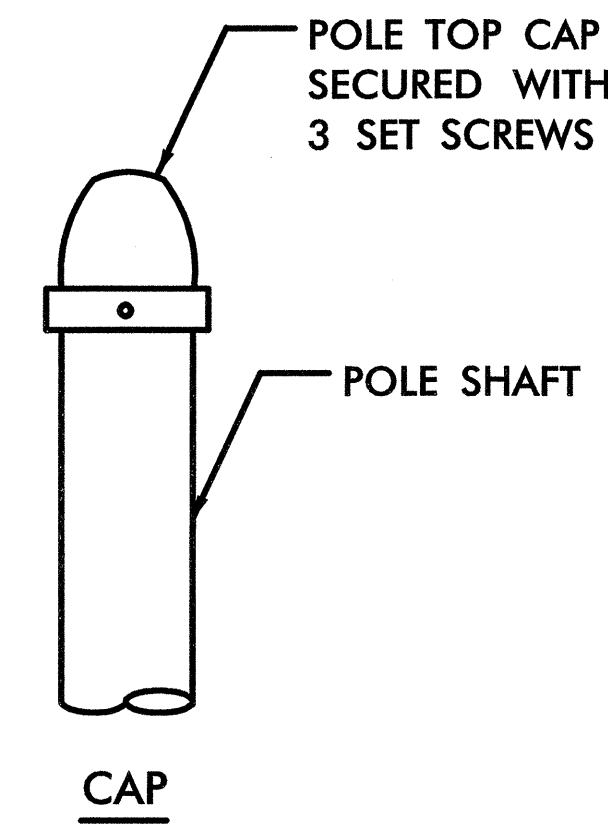


REFER TO SHEET TMS-21
FOR AIR TERMINAL AND
POLE GROUNDING DETAILS



GENERAL NOTES:

1. ALL POLES SHALL CONFORM TO NCDOT STANDARDS AND THE SPECIAL PROVISIONS
2. FOUNDATION EMBEDMENT DEPTH, REINFORCEMENT, AND ANCHOR BOLT SIZE AND LENGTH SHALL BE DETERMINED BY THE CONTRACTOR. FOUNDATION DESIGN CALCULATIONS, SIGNED AND SEALED BY A NORTH CAROLINA REGISTERED PROFESSIONAL ENGINEER, SHALL BE SUBMITTED TO THE ENGINEER FOR APPROVAL. ALL SOIL BORING INFORMATION USED BY THE CONTRACTOR IN THE FOUNDATION DESIGN SHALL BE SUBMITTED WITH THE CALCULATIONS.
3. POLE DESIGN CALCULATIONS, SIGNED AND SEALED BY A NORTH CAROLINA REGISTERED PROFESSIONAL ENGINEER, SHALL BE SUBMITTED TO THE ENGINEER FOR APPROVAL. DESIGN SHALL PROVIDE FOR 3" CONDUIT CONNECTING POLE TO CABINET.
4. ALL HARDWARE AND FASTENERS SHALL BE STAINLESS STEEL. THE BOLT SIZE AND LENGTH SHALL BE DETERMINED BY THE CONTRACTOR. THE WALL THICKNESS OF EACH SHAFT, ALLOY NUMBER, THE SHAFT LENGTH, THE MANUFACTURER, AND THE DATE, SHALL ALL BE INDICATED ON A MANUFACTURER'S PLATE ATTACHED TO EACH SHAFT NEAR THE BASE.
5. RUBBER GROMMETS SHALL BE PROVIDED AT ALL CABLE ENTRANCES.
6. THE CCTV POLE SHALL HAVE A 58" MAX DEFLECTION AT ITS HIGHEST POINT.



HNTB NORTH CAROLINA, P.C.
343 E. Six Forks Road, Suite 200
Raleigh, North Carolina 27609

	FULL MOTION VIDEO CCTV CAMERA POLE AND FOUNDATION DETAILS		SEAL NORTH CAROLINA PROFESSIONAL ENGINEER H.L. WINSTEAD, P.E. 07983
	DIVISION 07 ORANGE COUNTY HILLSBOROUGH		
PLAN DATE: OCTOBER 2003	REVIEWED BY: J.P. HOCHANADEL		
PREPARED BY: K.H. IDE	REVIEWED BY: H.L. WINSTEAD		
SCALE NONE	REVISIONS	INIT. DATE	SIGNATURE DATE H.L. Winstead 9/14/04
			CADD FILE NAME tms-20.dgn