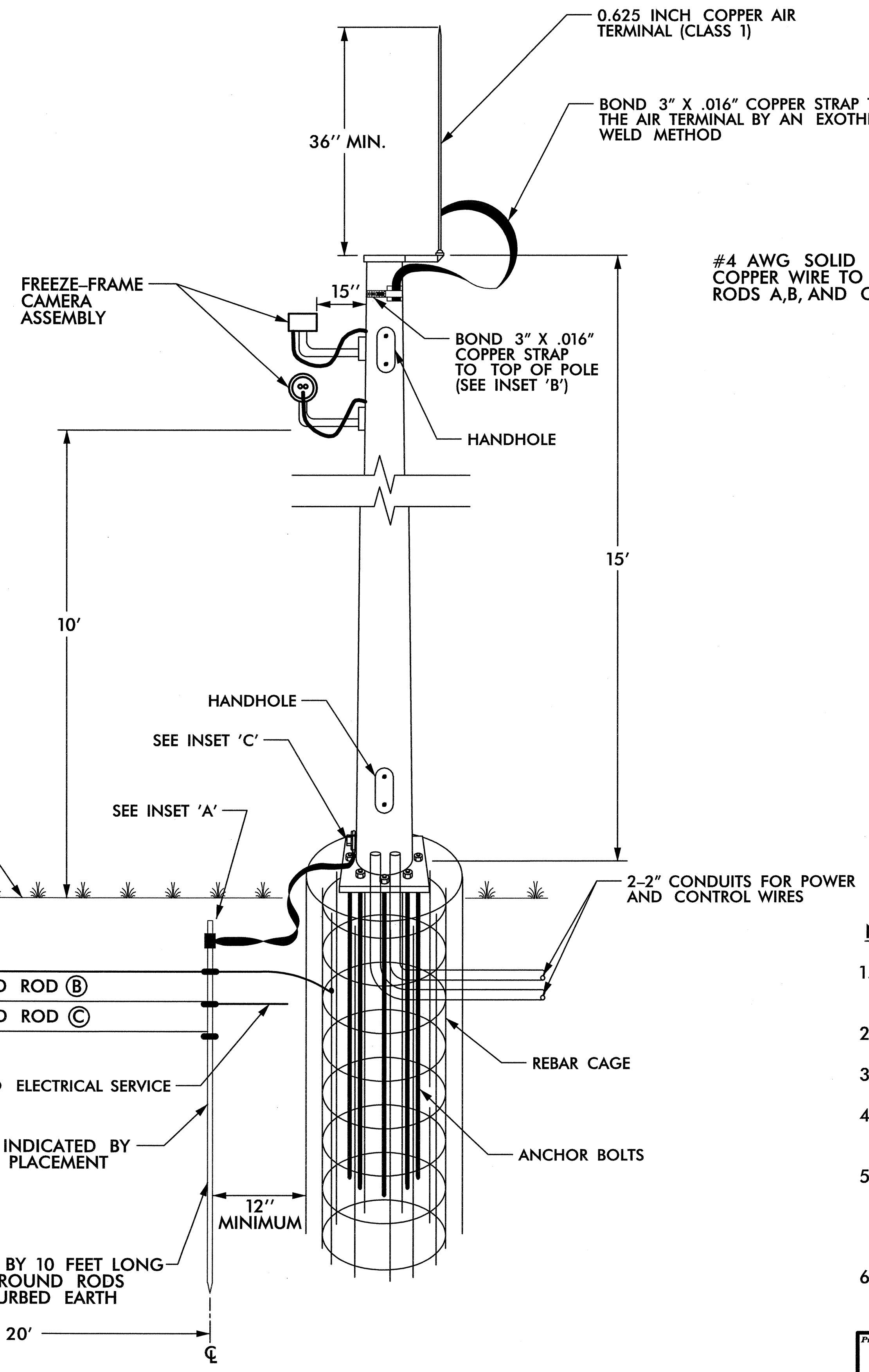
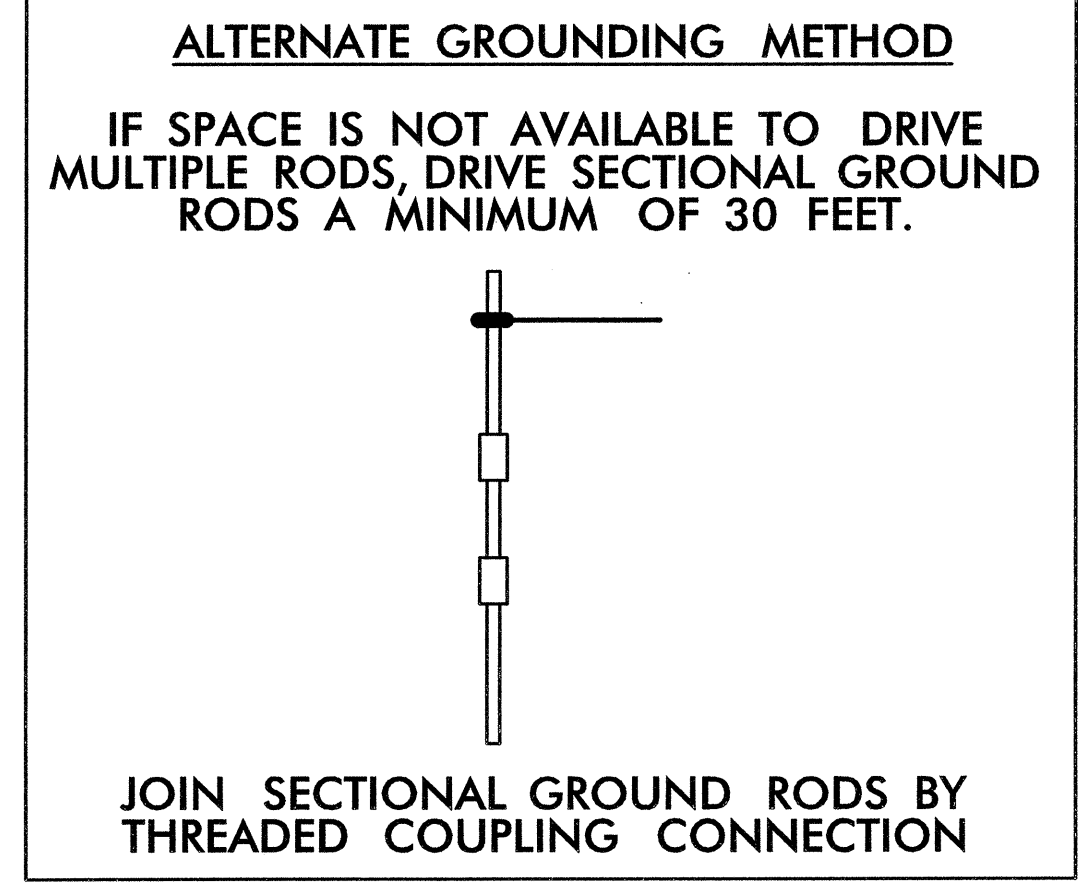
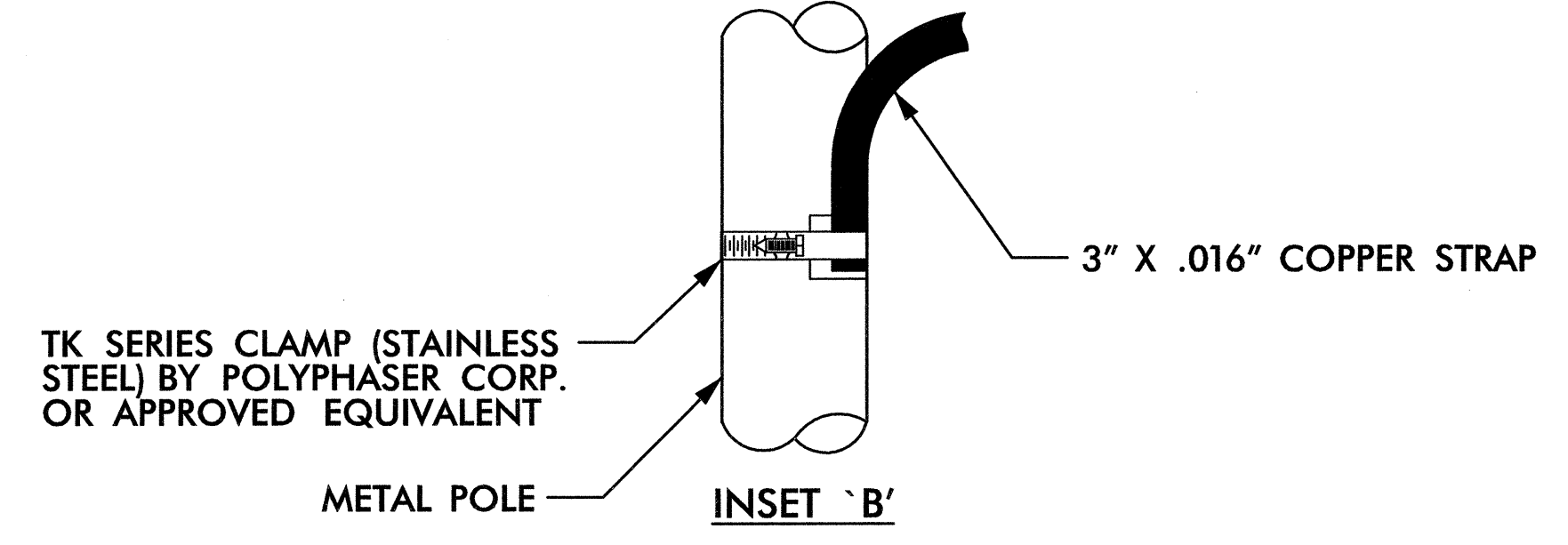
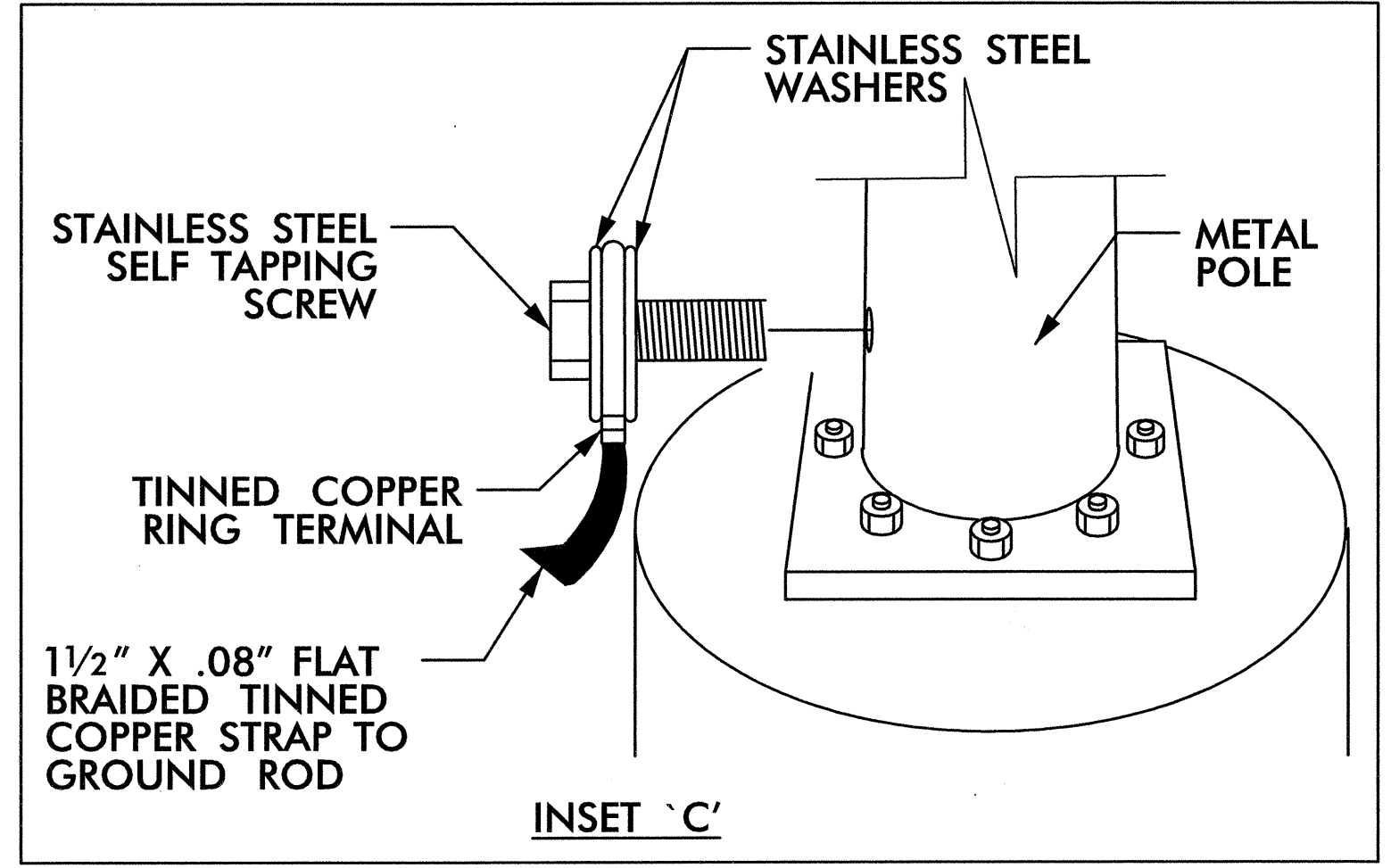
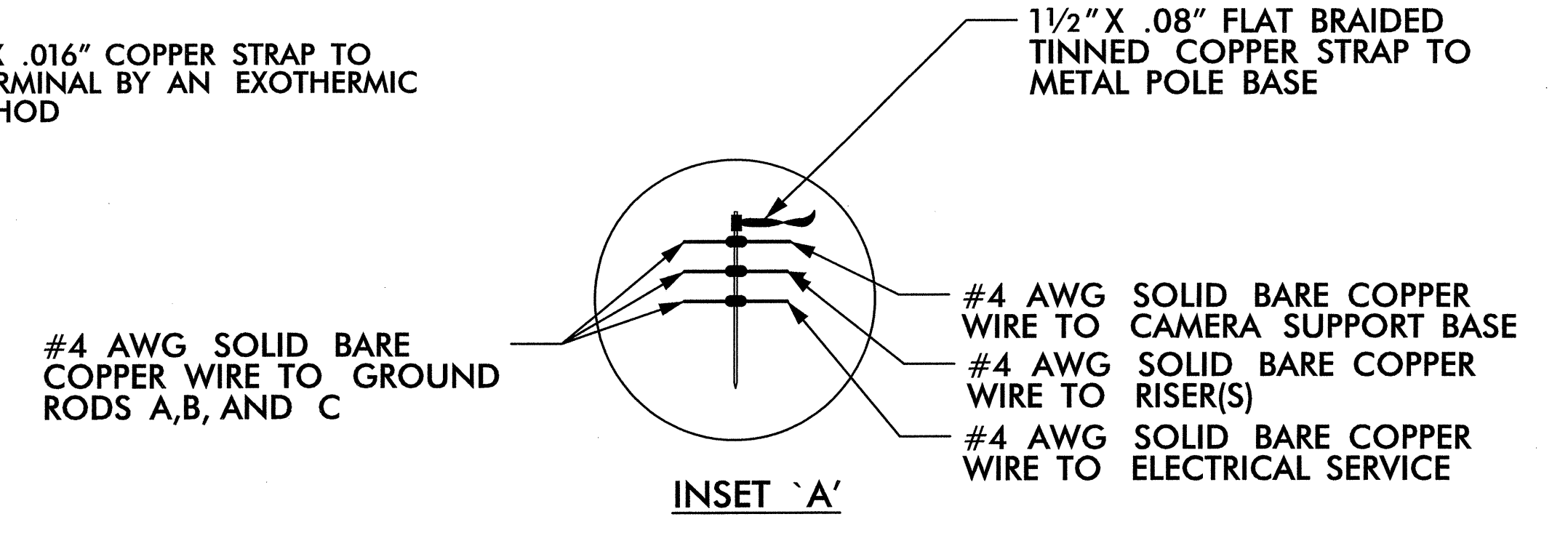


BOND #4 AWG SOLID BARE COPPER WIRE TO CAMERA SUPPORT BASE BY A STEEL TO COPPER #2 - #14 AWG LUG. ATTACH TO CAMERA BASE WITH A STAINLESS STEEL SELF TAPPING SCREW.



FREEZE-FRAME CCTV CAMERA DETAIL  
N.T.S.



NOTES:

1. BOND 1 1/2" X .016" FLAT BRAIDED TINNED COPPER STRAP TO THE MAIN GROUND ROD BY AN EXOTHERMIC WELD METHOD.
2. EXOTHERMICALLY WELD ALL CONNECTIONS TO GROUND RODS.
3. BOND #4 AWG SOLID BARE COPPER WIRE TO THE RISER(S).
4. ENSURE CAMERA HOUSING, CAMERA AND AIR TERMINAL EXTENSION PLATE ARE BONDED TO POLE.
5. THE CONTRACTOR MAY, UPON APPROVAL OF THE ENGINEER, INSTALL A 30-FOOT SECTIONAL GROUND ROD WHEN CONDITIONS WILL NOT ALLOW FOR THE INSTALLATION OF THE 3-AUXILIARY GROUND RODS.
6. INSTALL MARKER TAPE DIRECTLY ABOVE ALL GROUNDING ELECTRODES AND CONDUCTORS AT A DEPTH OF 12".

**HNTB** HNTB NORTH CAROLINA, P.C.  
343 E. Six Forks Road, Suite 200  
Raleigh, North Carolina 27609

	<b>FREEZE-FRAME CCTV CAMERA DETAIL</b>			
	DIVISION 07	ORANGE COUNTY		HILLSBOROUGH
	PLAN DATE: OCTOBER 2003	REVIEWED BY: E.T. GARRETT		
	PREPARED BY: E.T. GARRETT	REVIEWED BY: H.L. WINSTEAD		
SCALE	REVISIONS	INIT.	DATE	
NONE				
SIGNATURE: <i>E.T. Garrett</i>		DATE: 9/14/04		
CADD FILE NAME: tms-22.dgn				