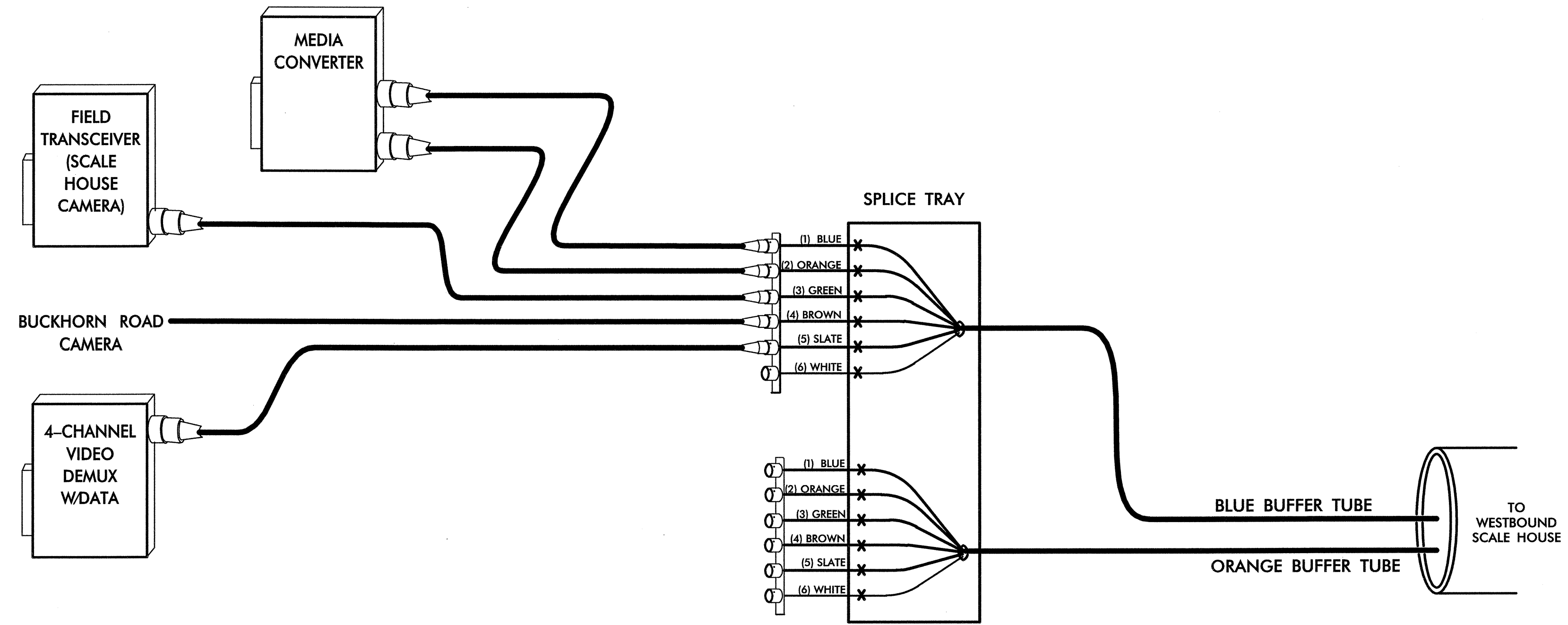
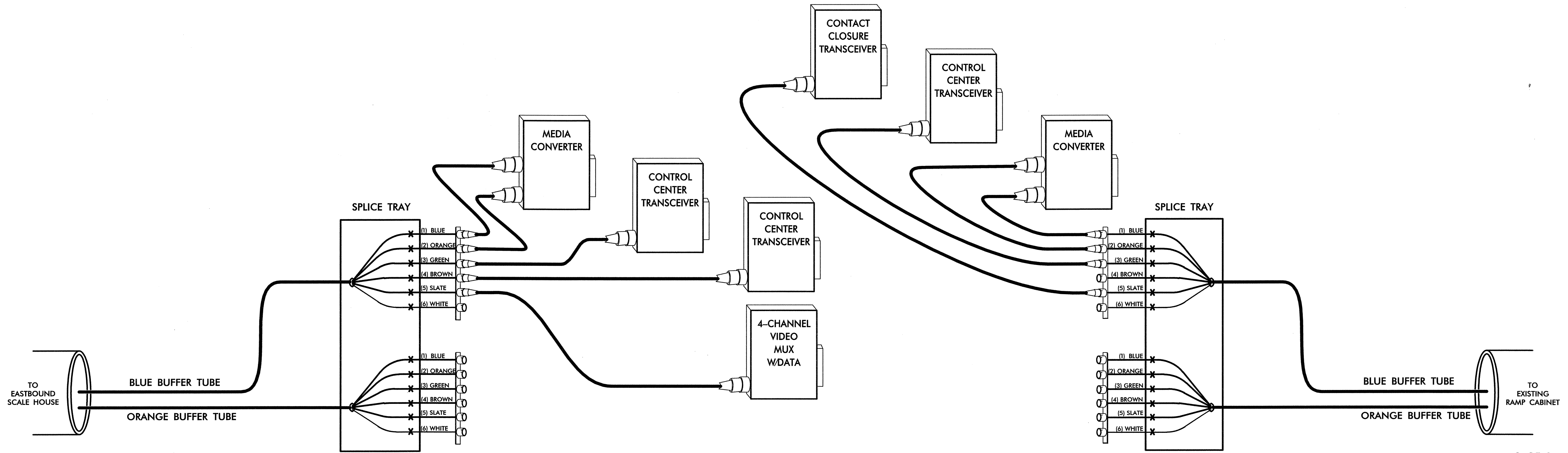


**COLOR CODE**  
TIA/EIA 598-A

- (1) BLUE
- (2) ORANGE
- (3) GREEN
- (4) BROWN
- (5) SLATE
- (6) WHITE



EASTBOUND SCALE HOUSE



WESTBOUND SCALE HOUSE

**LEGEND**  
X = FUSION SPLICE

**HNTB** HNTB NORTH CAROLINA, P.C.  
343 E. Six Forks Road, Suite 200  
Raleigh, North Carolina 27609

	<b>SPLICE DETAILS</b>		
	DIVISION 07 ORANGE COUNTY HILLSBOROUGH PLAN DATE: OCTOBER 2003 REVIEWED BY: J.P. HOCHANADEL PREPARED BY: K.H. IDE REVIEWED BY: H.L. WINSTEAD		
SCALE  NONE	REVISIONS _____ _____ _____	INIT. DATE _____ _____ _____	SIGNATURE DATE  9/14/04 CADD FILE NAME: tms-30.dgn