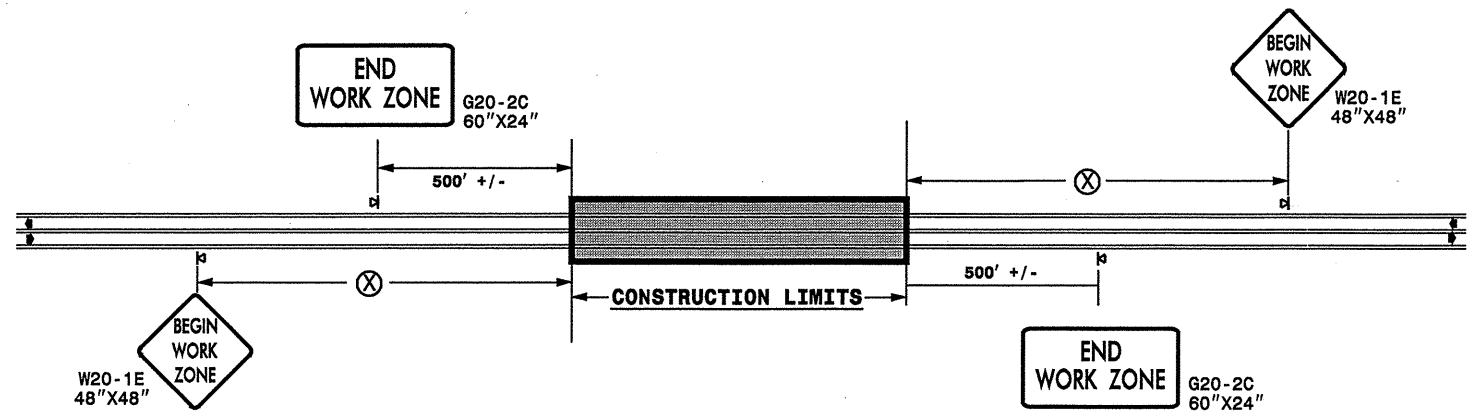


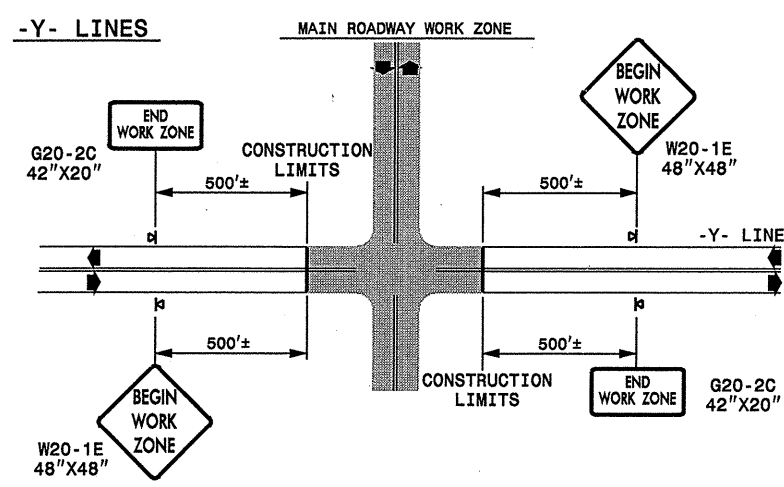
TWO-WAY UNDIVIDED WORK ZONE (L-LINES)



POSTED SPEED LIMIT (M.P.H.)	RECOMMENDED MINIMUM SIGN SPACING
≤ 35	300'
40 - 50	1150'
55	1800'

STATE OF NORTH CAROLINA
DEPT. OF TRANSPORTATION
DIVISION OF HIGHWAYS
RALEIGH, N.C.

ROADWAYS INTERSECTING ALONG 2 WAY UNDIVIDED WORK ZONE (Y-LINES)



DETAIL DRAWING FOR
TWO-WAY UNDIVIDED
WORK ZONE WARNING SIGNS

GENERAL NOTES

- DO NOT INSTALL ADVANCE WARNING SIGNS MORE THAN 3 DAYS PRIOR TO BEGINNING OF WORK.
- MOUNT SIGNS ON PORTABLE SIGN STANDS.
- ALL SIGN SPACING DIMENSIONS ARE APPROXIMATE. FIELD ADJUST AS NECESSARY OR AS DIRECTED.

LEGEND

☐ PORTABLE SIGN

➔ DIRECTION OF TRAFFIC FLOW

APPROVED: _____	DATE: _____	<p>DETAIL DRAWING FOR TWO-WAY UNDIVIDED WORK ZONE SIGNS</p>	<p>SCALE: NONE DATE: 09-06-2001 DWG. BY: MMM DESIGN BY: MMM REVIEWED BY: _____</p>		<p>REVISIONS</p> <table border="1"> <tr><td> </td><td> </td></tr> <tr><td> </td><td> </td></tr> <tr><td> </td><td> </td></tr> </table>						
		<p>QDD FILE</p>									