

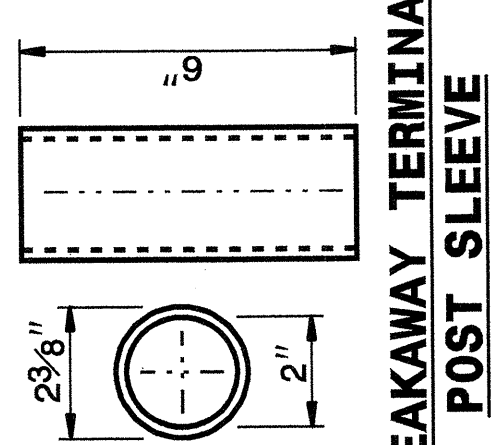
C:\AFR-2004\ltd\New\ward\stds\02\stds to Special Details\english\86202\0862d02.dgn  
 5/14/99  
 er:Standard At 10:52:12:60

STATE OF NORTH CAROLINA  
DEPT. OF TRANSPORTATION  
DIVISION OF HIGHWAYS  
RALEIGH, N.C.

ENGLISH DETAIL DRAWING FOR  
**GUARDRAIL INSTALLATION**

SHEET 5 OF 7  
**862D02**

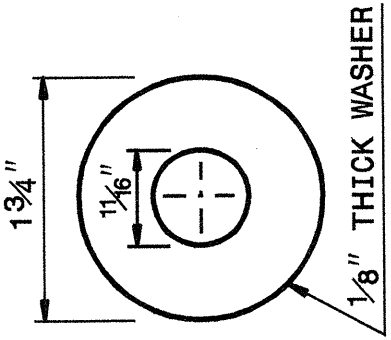
**BREAKAWAY TERMINAL POST SLEEVE**



2 3/8" length, 2" diameter, 1 1/2" hole diameter.

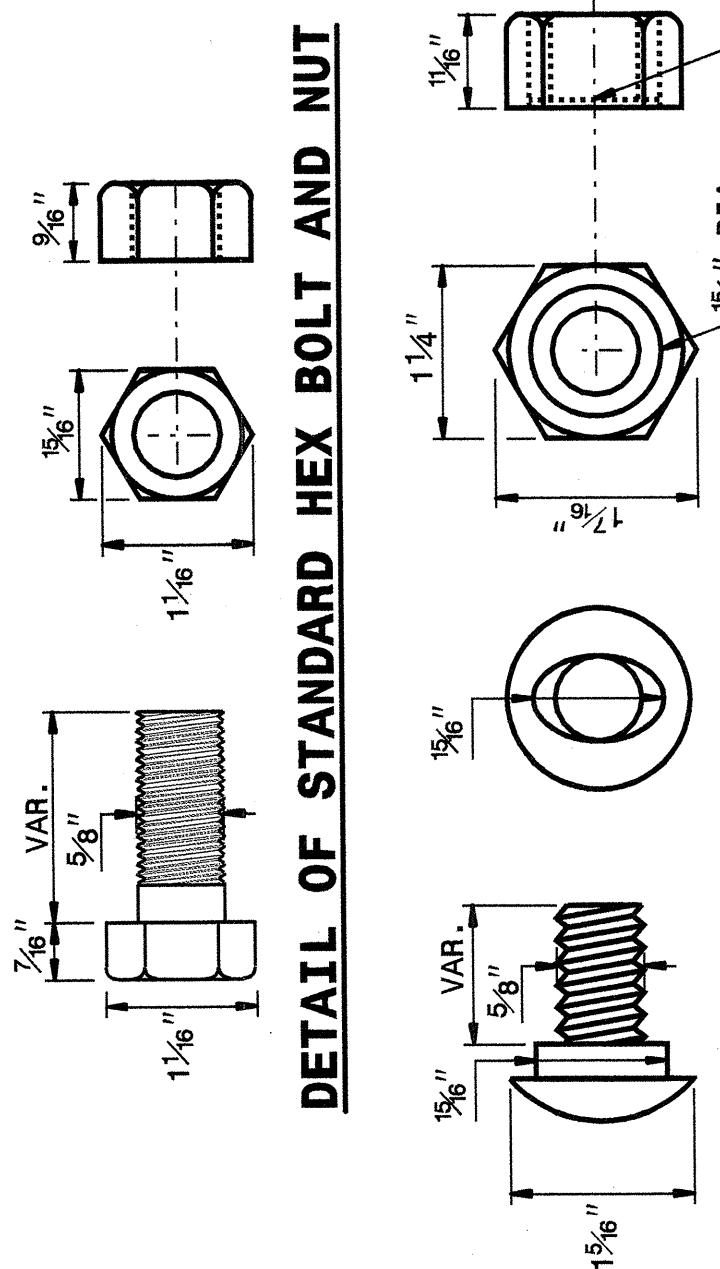
**DETAIL OF STANDARD WASHER**

STANDARD WASHER: TYPICAL USE UNDER NUT WITH WOOD POST



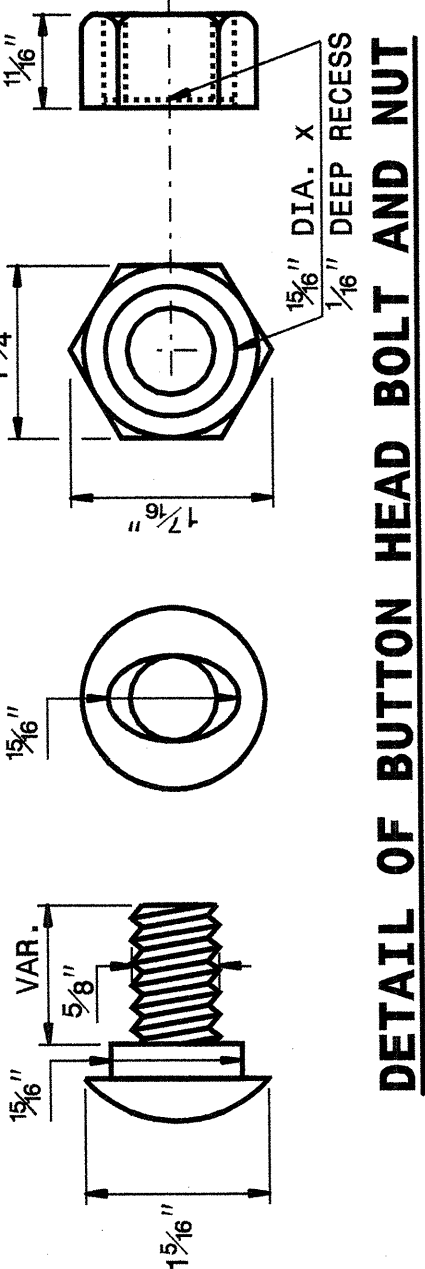
1 3/4" diameter, 1/8" thick.

**DETAIL OF STANDARD HEX BOLT AND NUT**



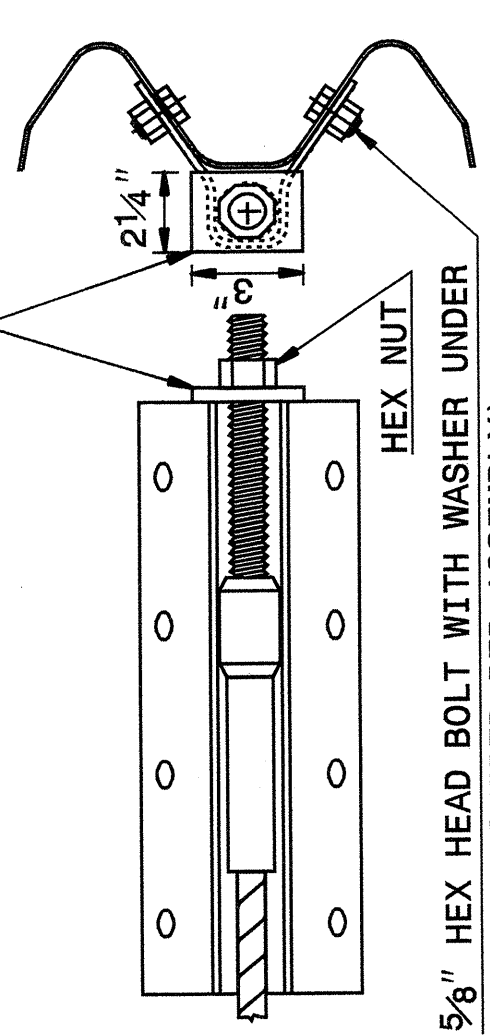
1 1/8" length, 5/8" diameter, 1 1/4" nut diameter, 1/8" deep recess.

**DETAIL OF BUTTON HEAD BOLT AND NUT**



1 1/8" length, 5/8" diameter, 1 1/4" nut diameter, 1/8" deep recess.

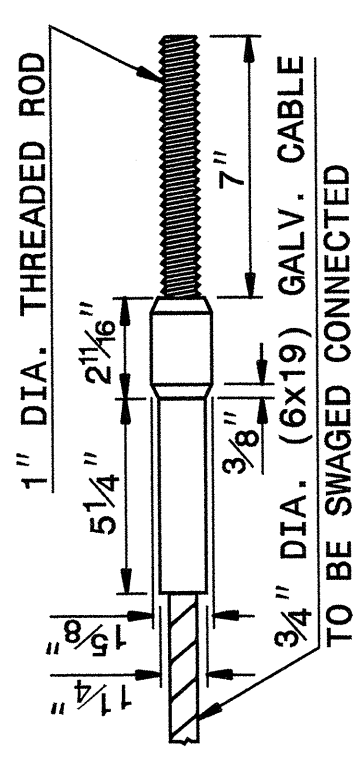
**ANCHOR PLATE ASSEMBLY**



3/8" THICK END PLATE WITH 1 1/8" DIA. HOLE CENTERED IN PLATE. END PLATE TO BE WELDED TO ANCHOR PLATE.

5/8" HEX HEAD BOLT WITH WASHER UNDER NUT (8 REQUIRED PER ASSEMBLY)

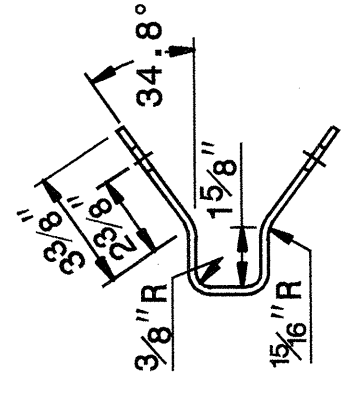
**SWAGED CABLE**



1" DIA. THREADED ROD, 5 1/4" length, 2 1/8" diameter.

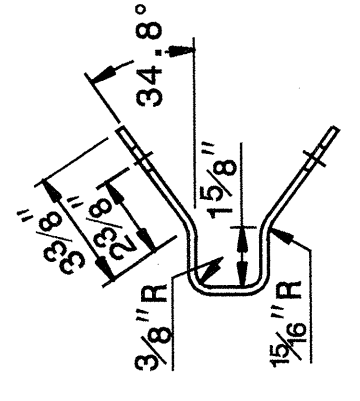
3/4" DIA. (6X19) GALV. CABLE TO BE SWAGED CONNECTED

**ANCHOR PLATE**



3/8" THICK GALV. STEEL PLATE, 1'-4" length, 4" width.

**CABLE ASSEMBLY**



3/8" THICK GALV. STEEL PLATE, 1'-4" length, 4" width, 3/8" R holes.

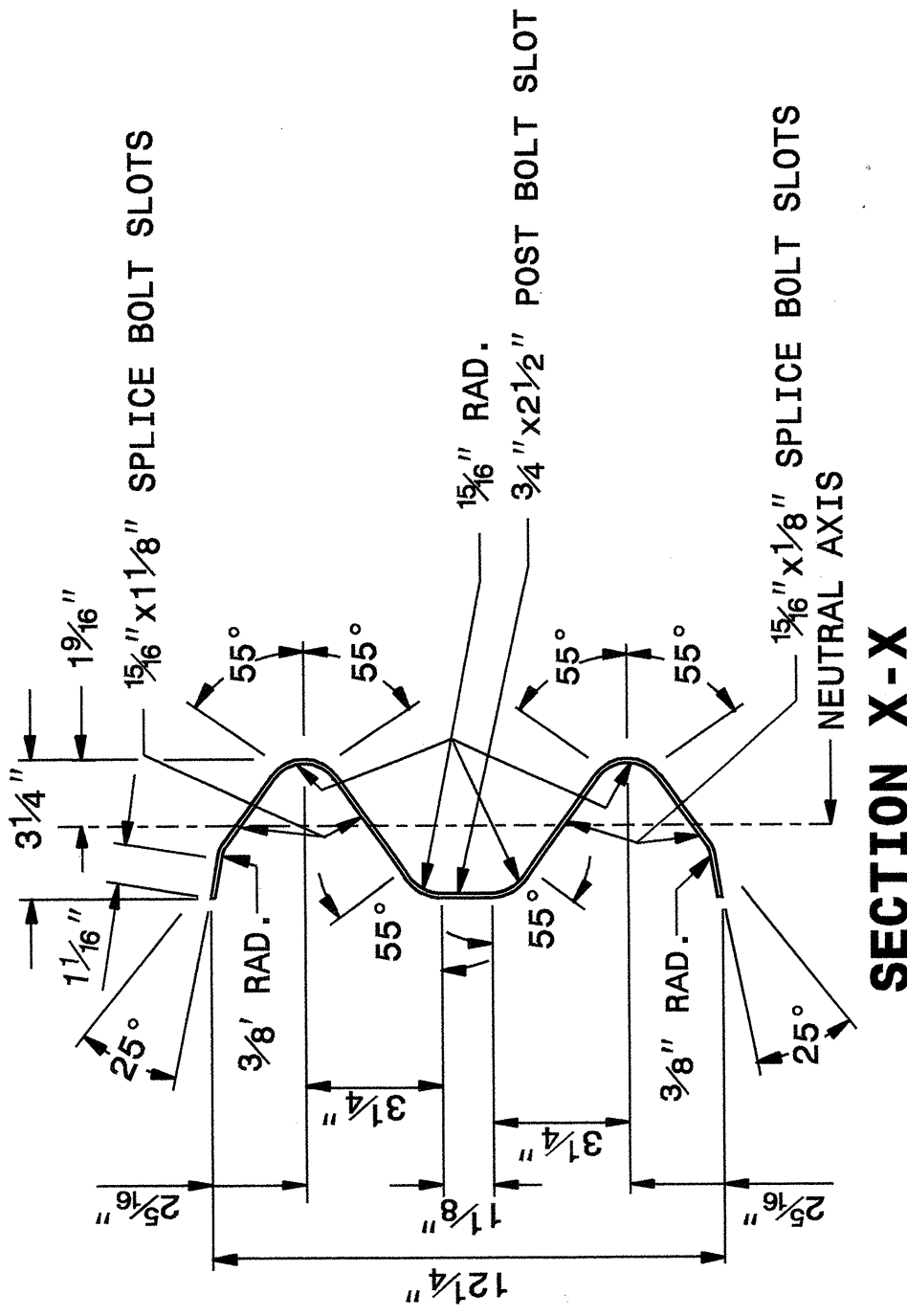
**SYSTEM PARTS**

STATE OF NORTH CAROLINA  
DEPT. OF TRANSPORTATION  
DIVISION OF HIGHWAYS  
RALEIGH, N.C.

ENGLISH DETAIL DRAWING FOR  
**GUARDRAIL INSTALLATION**

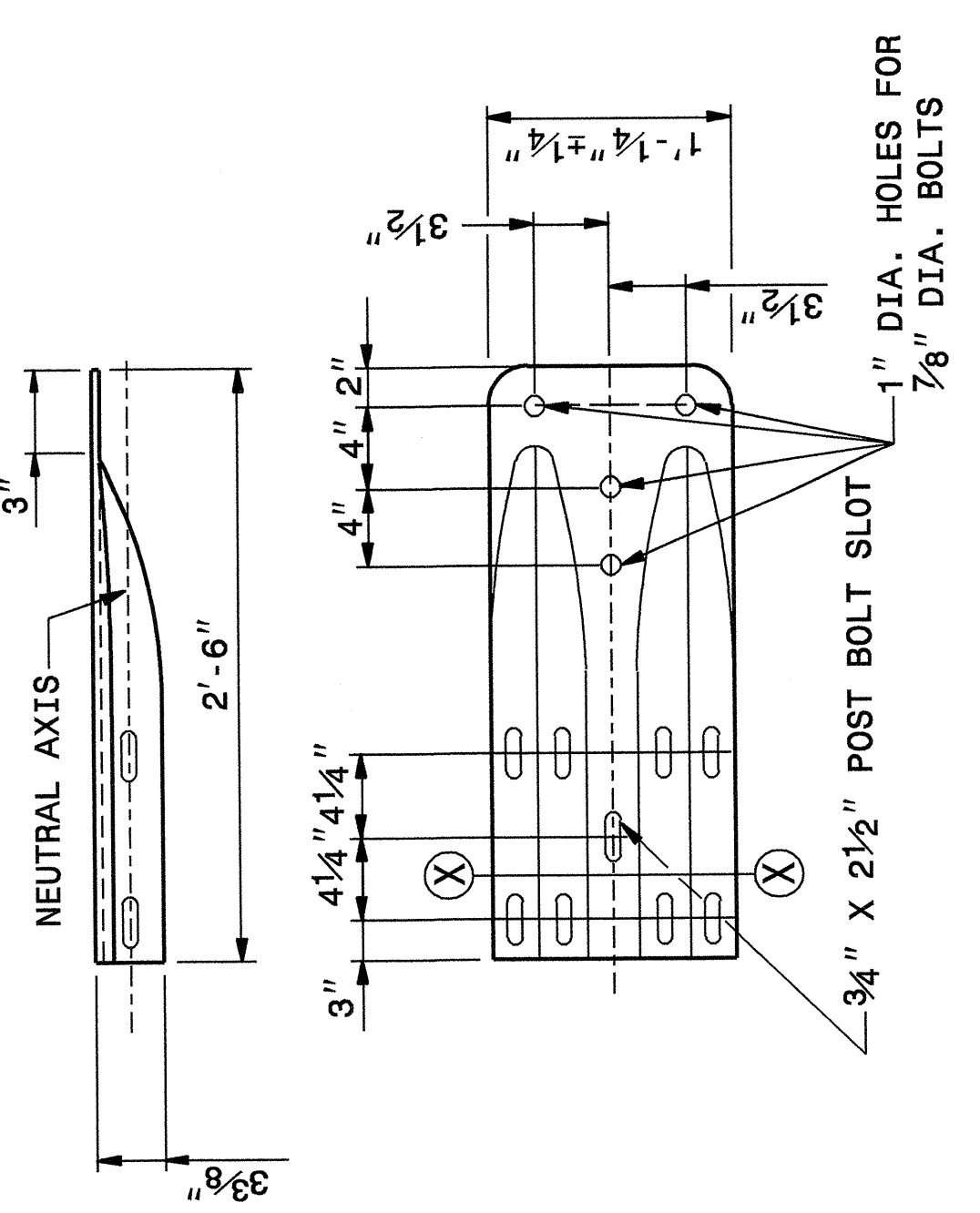
SHEET 6 OF 7  
**862D02**

**SECTION X-X**



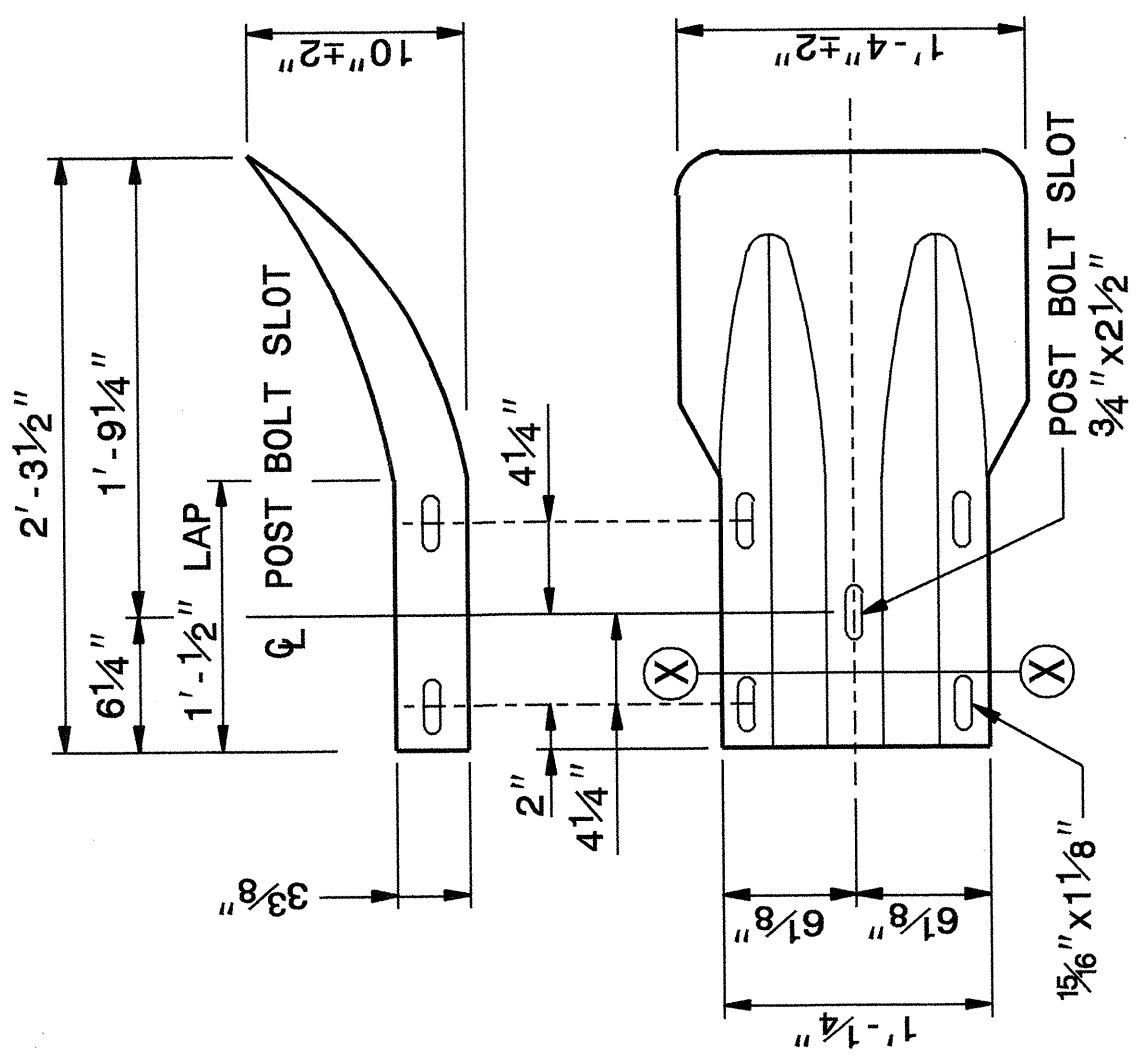
3 1/4" height, 1 1/8" width, 19/16" splice bolt slots, 55° angles, 3/8" rad., 15/16" x 1 1/8" post bolt slot, 15/16" x 1 1/8" splice bolt slots, 3/8" rad., 25° angles, 12 1/4" width, 1 1/8" hole diameter, 10" ± 2" length, 1'-9 1/4" length, 1'-1 1/2" lap, 6 1/4" length, 2'-3 1/2" length, 3 3/8" length, 2" length, 4 1/4" length, 1'-4" ± 2" length, 1'-4" ± 2" length, 15/16" x 1 1/8" post bolt slot, 3/4" x 2 1/2" post bolt slot.

**TYPICAL END SHOE**



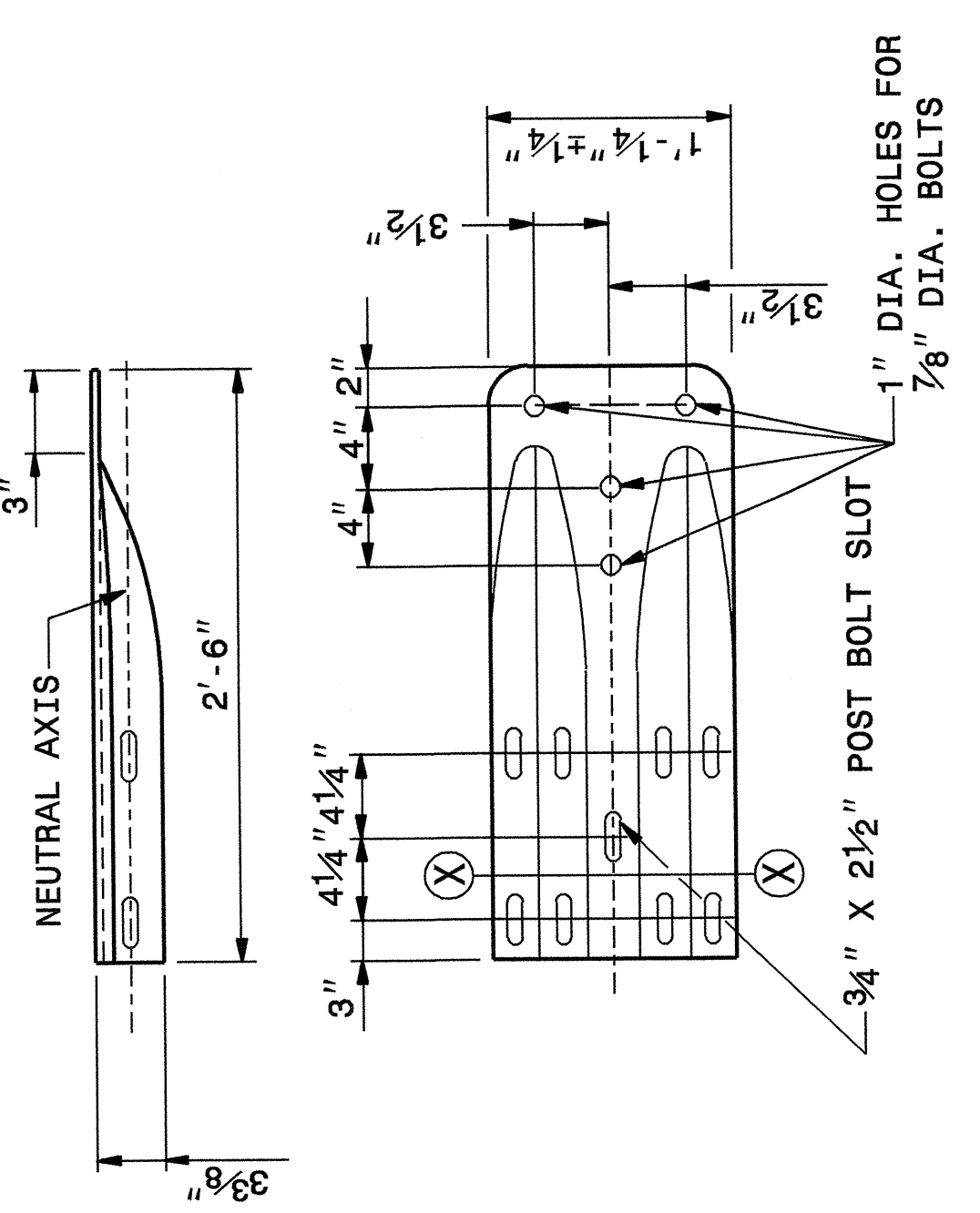
3" height, 2'-6" length, 3 1/2" width, 4 1/4" ± 1/4" length, 1" DIA. HOLES FOR 1/8" DIA. BOLTS, 3/4" x 2 1/2" POST BOLT SLOT, 1" DIA. HOLES FOR 1/8" DIA. BOLTS.

**TERMINAL END SECTION**



6 1/4" length, 1'-9 1/4" length, 1'-1 1/2" LAP, 3 3/8" length, 2" length, 4 1/4" length, 1'-4" ± 2" length, 1'-4" ± 2" length, 15/16" x 1 1/8" post bolt slot, 3/4" x 2 1/2" post bolt slot.

**GENERAL USE**



3" height, 2'-6" length, 3 1/2" width, 4 1/4" ± 1/4" length, 1" DIA. HOLES FOR 1/8" DIA. BOLTS, 3/4" x 2 1/2" POST BOLT SLOT, 1" DIA. HOLES FOR 1/8" DIA. BOLTS.

**SYSTEM PARTS - GENERAL USE**

**DESIGN SERVICES UNIT  
STANDARDS AND SPECIAL DESIGN**

Office 919-250-4128 FAX 919-250-4119

---

**SEE PLATE FOR TITLE**

---

ORIGINAL BY: 2002 STD. 862.02 DATE: \_\_\_\_\_  
 MODIFIED BY: E.E. WARD DATE: 02-09-03  
 CHECKED BY: *Paul S. Ward* DATE: 4-29-04  
 FILE SPEC.: /usr/stds/02todetail/english/86202/862d02.dgn

