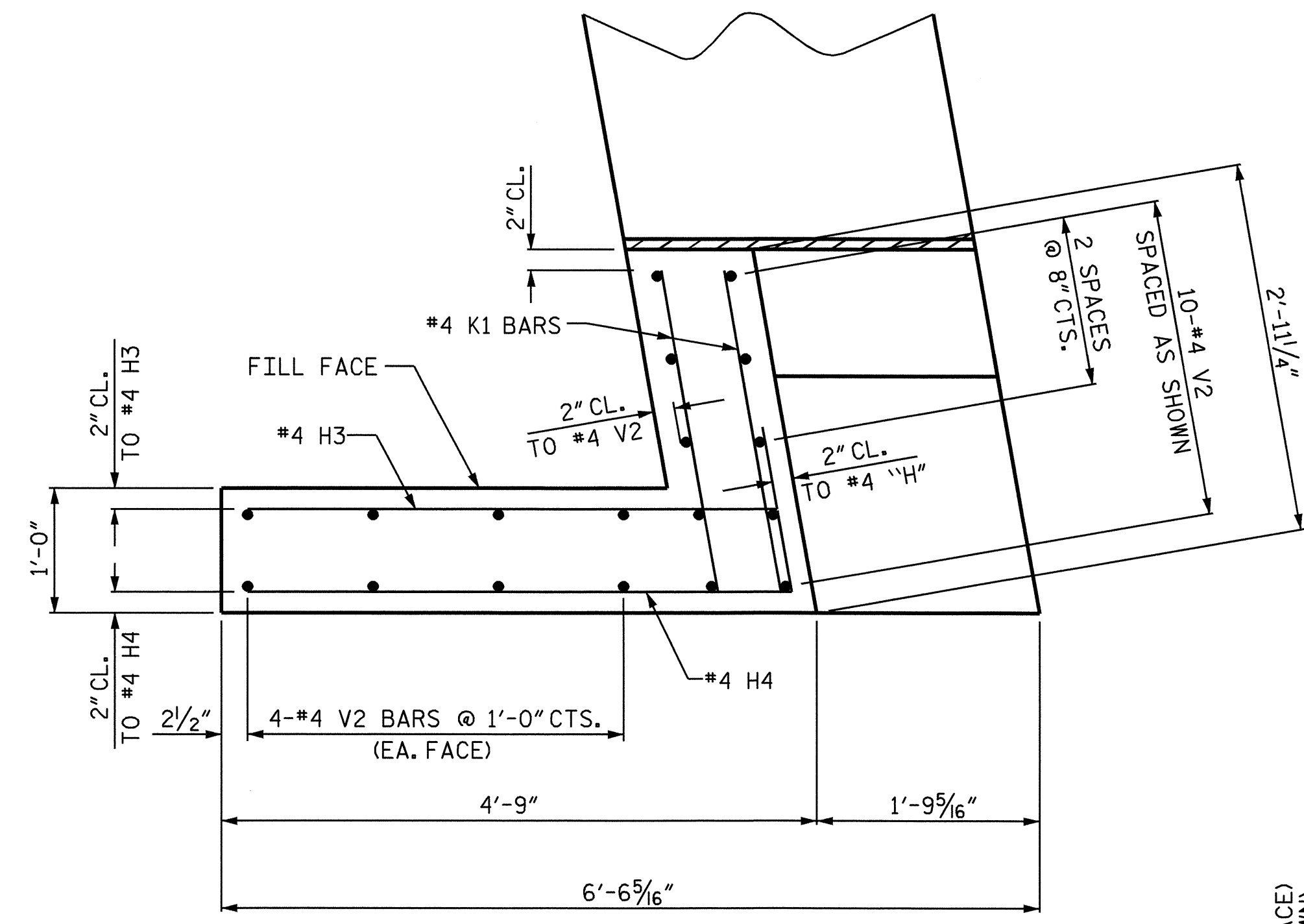
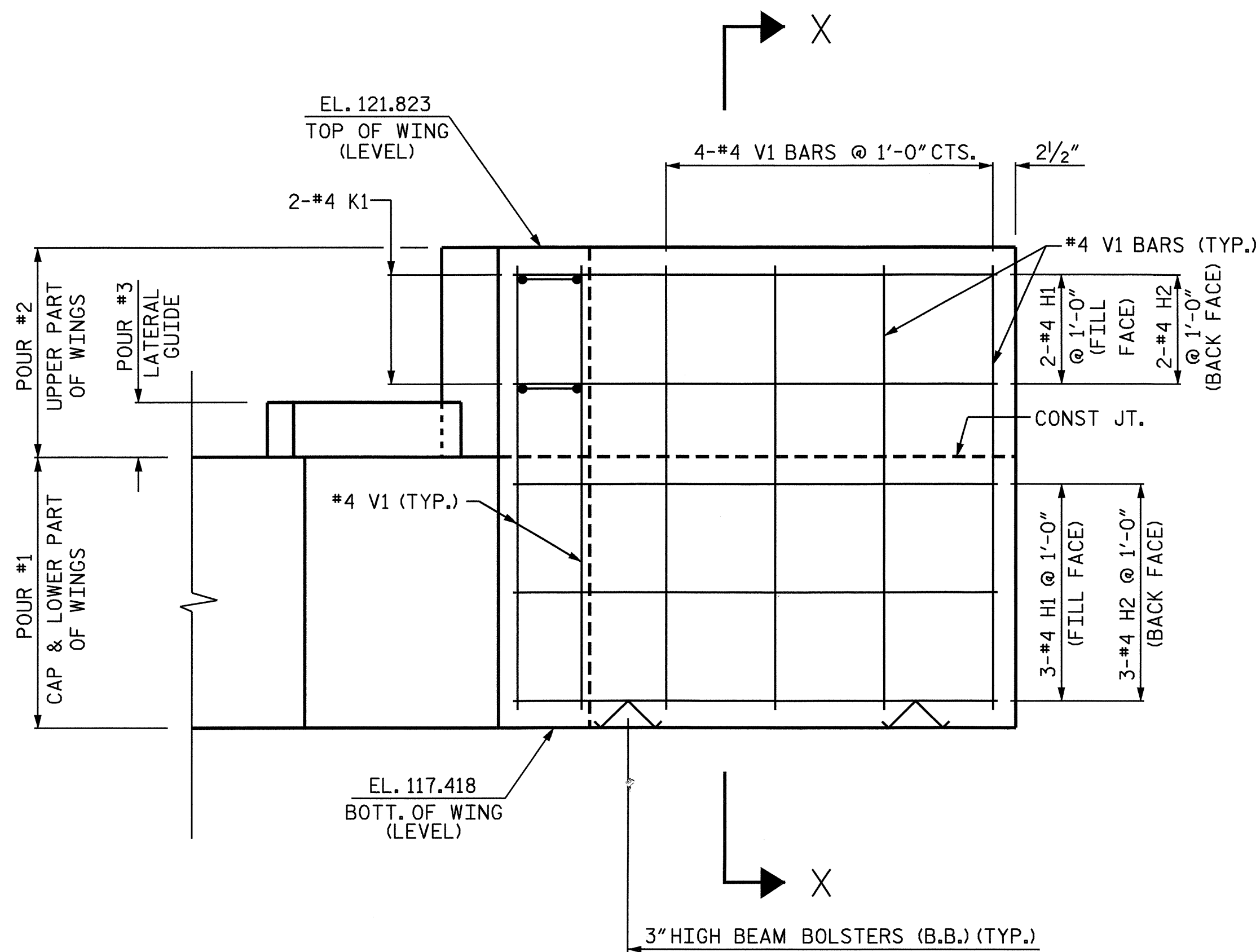


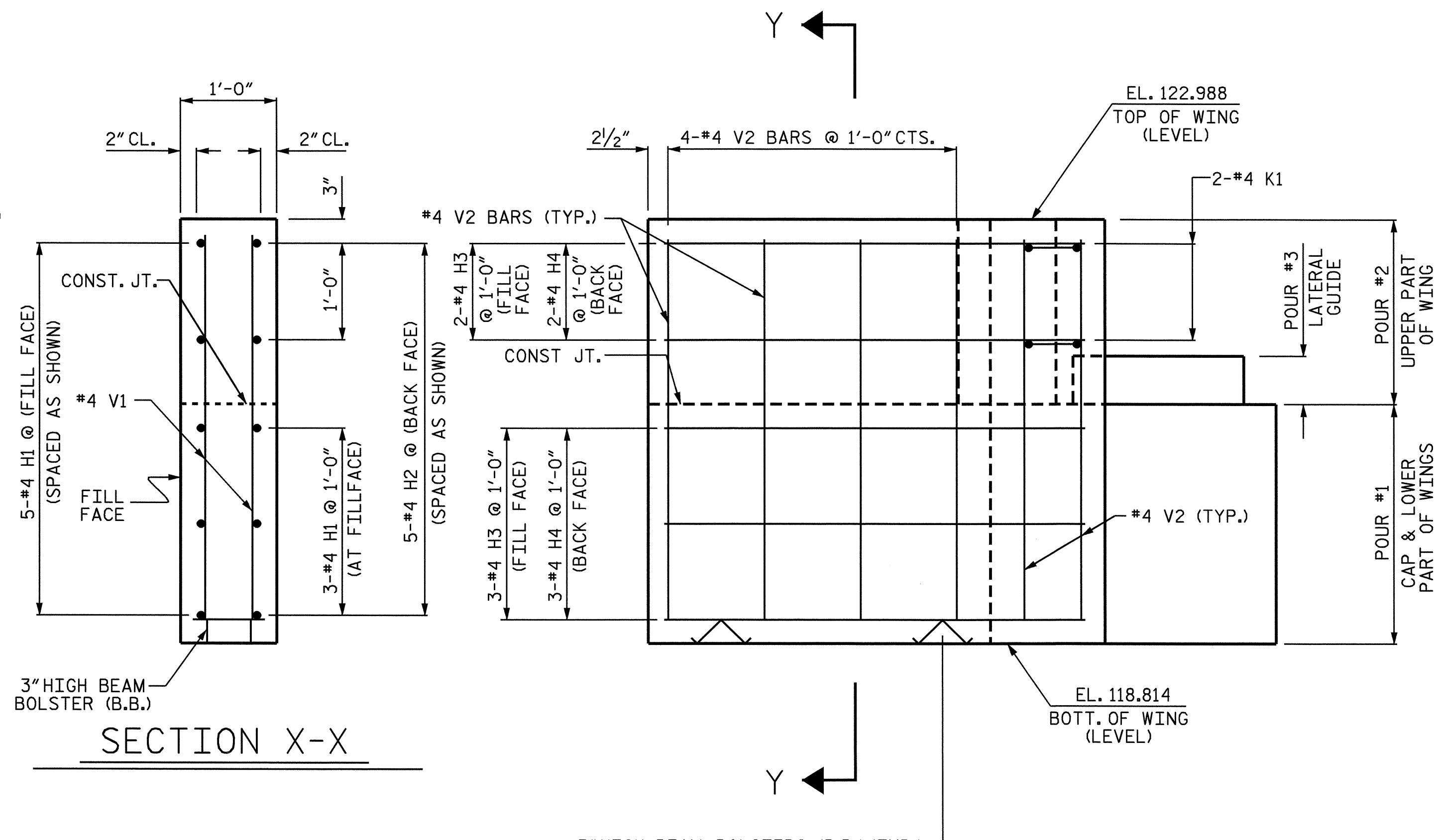
PLAN OF WING - W1



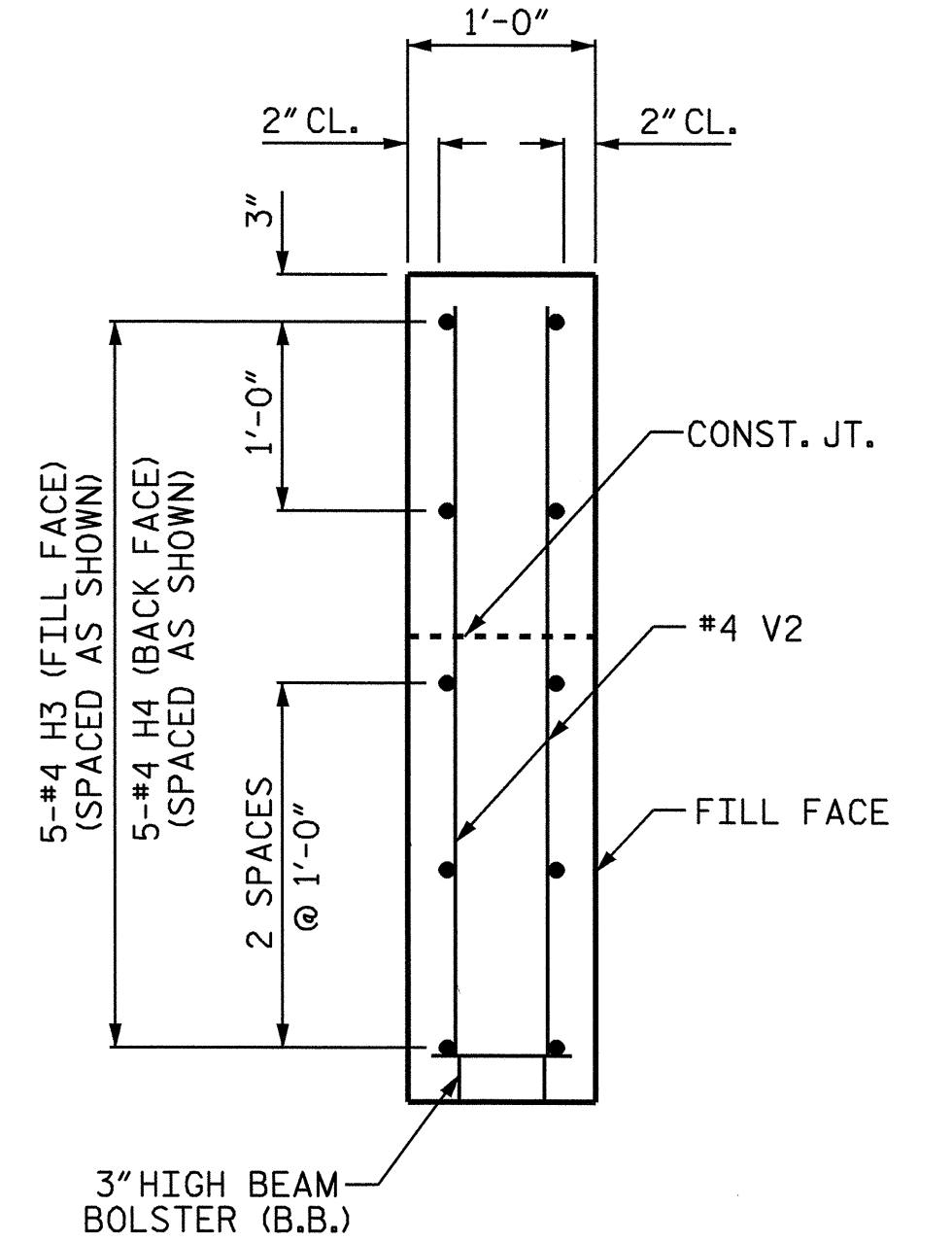
PLAN OF WING - W2



ELEVATION OF WING - W1



ELEVATION OF WING - W2



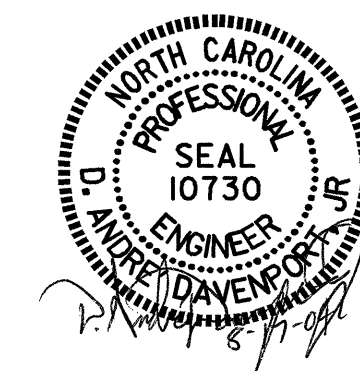
SECTION Y-Y

PROJECT NO. B-3879
NASH COUNTY
 STATION: 22+61.00 -L-

SHEET 2 OF 3

STATE OF NORTH CAROLINA
 DEPARTMENT OF TRANSPORTATION
 RALEIGH

SUBSTRUCTURE
 END BENT #1
 WING DETAILS



DRAWN BY : J.B. WILSON DATE : 5/04
 CHECKED BY : D.A. DAVENPORT DATE : 5/04

17-AUG-2004 07:23
 w:\squad\B3879\jwilson\Microstation\B-3879.sd.E*.01.dgn
 adavenport

REVISIONS				SHEET NO.
NO.	BY:	DATE:	NO. BY: DATE:	S-11
1			3	TOTAL SHEETS
2			4	26

STR. #1

NCBDS