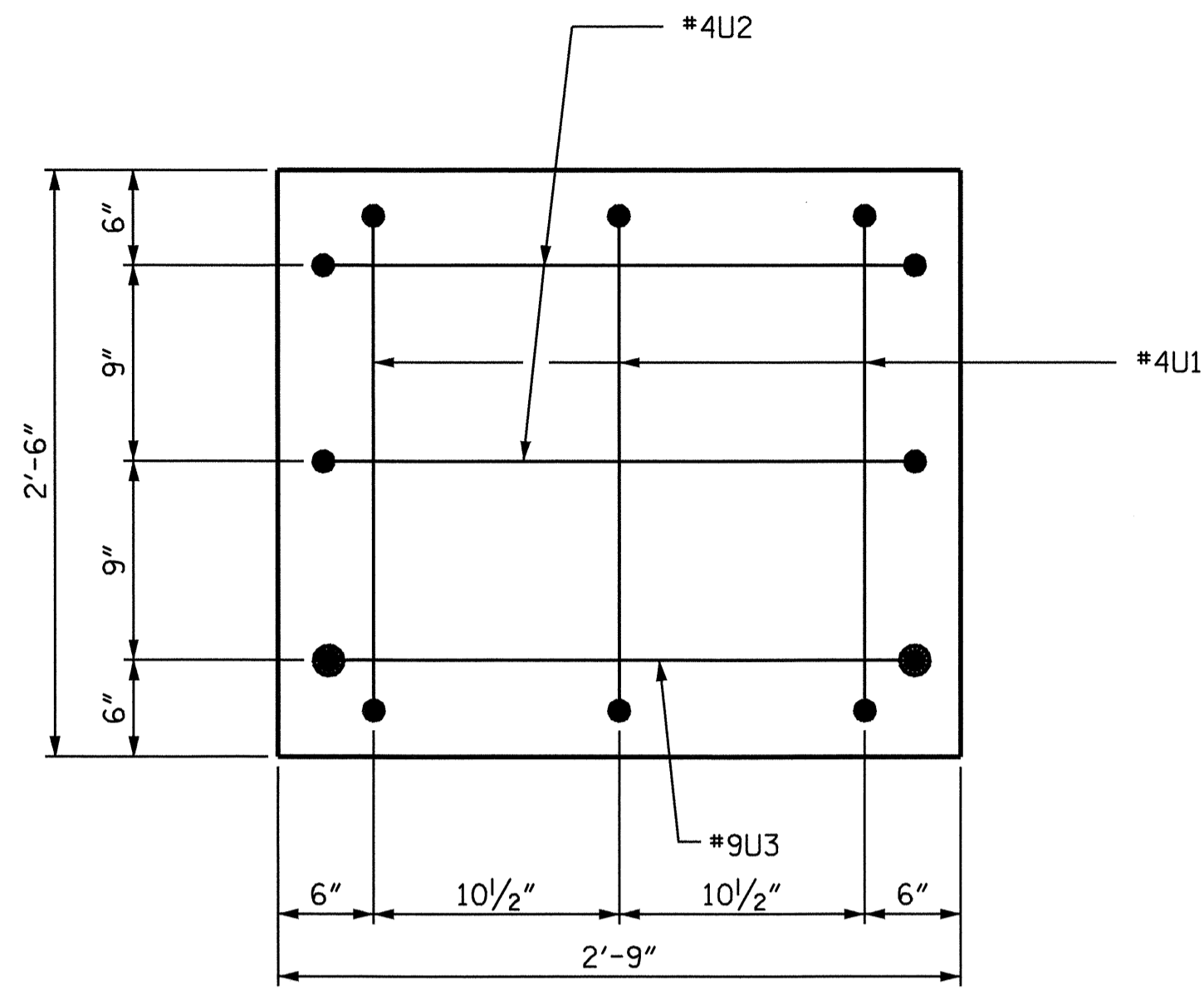


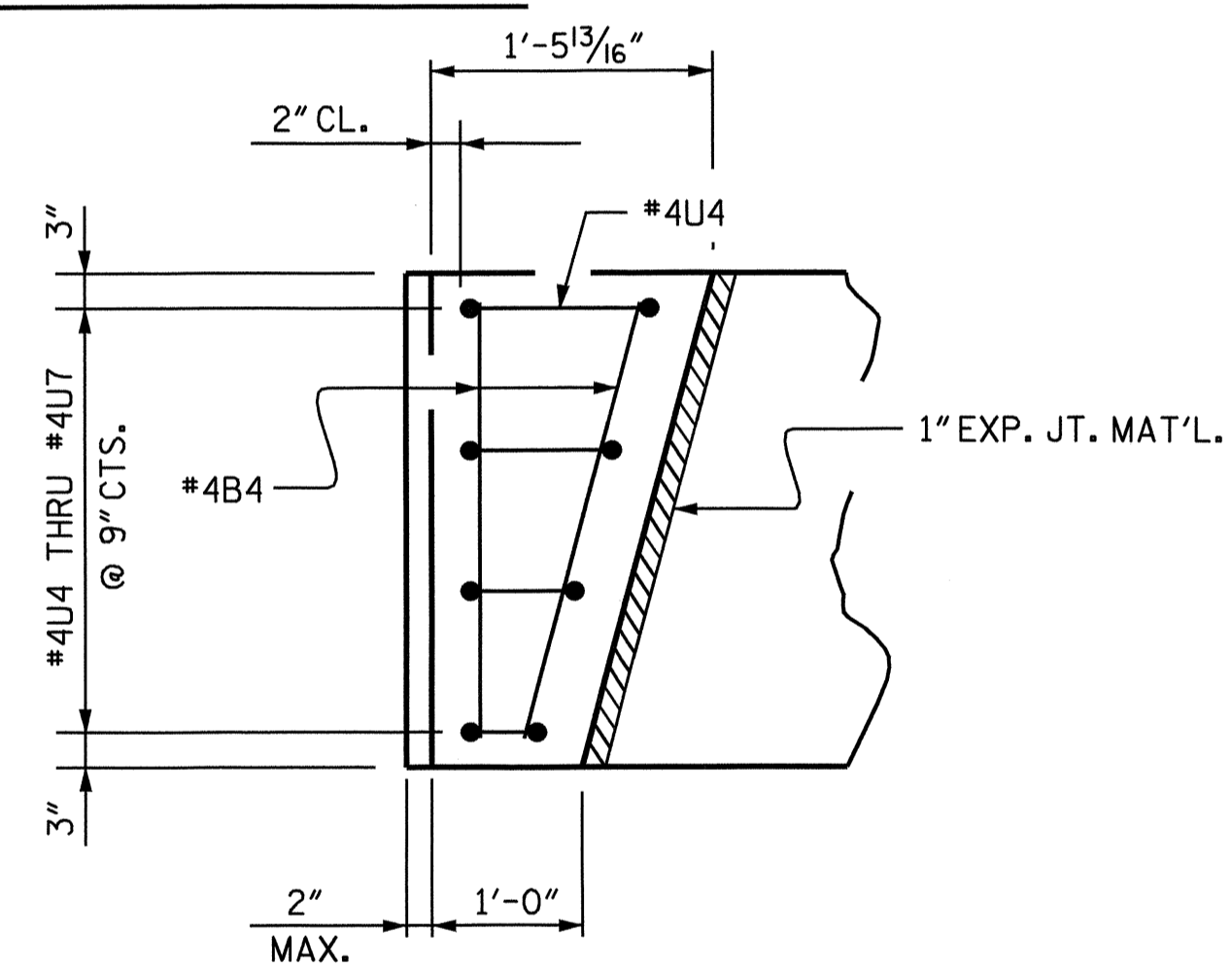
SECTION A-A



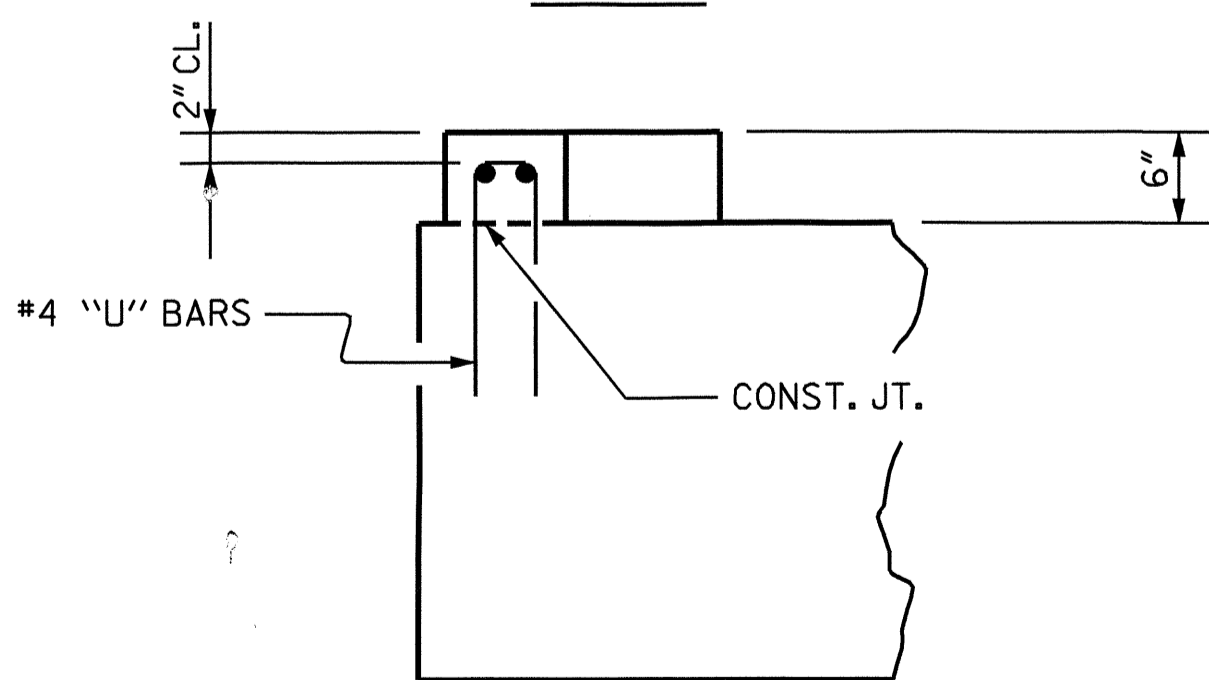
END VIEW

2" MIN. CONCRETE COVER FROM END OF CAP REQUIRED FOR ALL #4U1, #4U2 AND #9U3 BARS.

#4U1, #4U2 AND #9U3 BARS MAY BE SHIFTED UP TO 2" TO CLEAR "B" BARS.

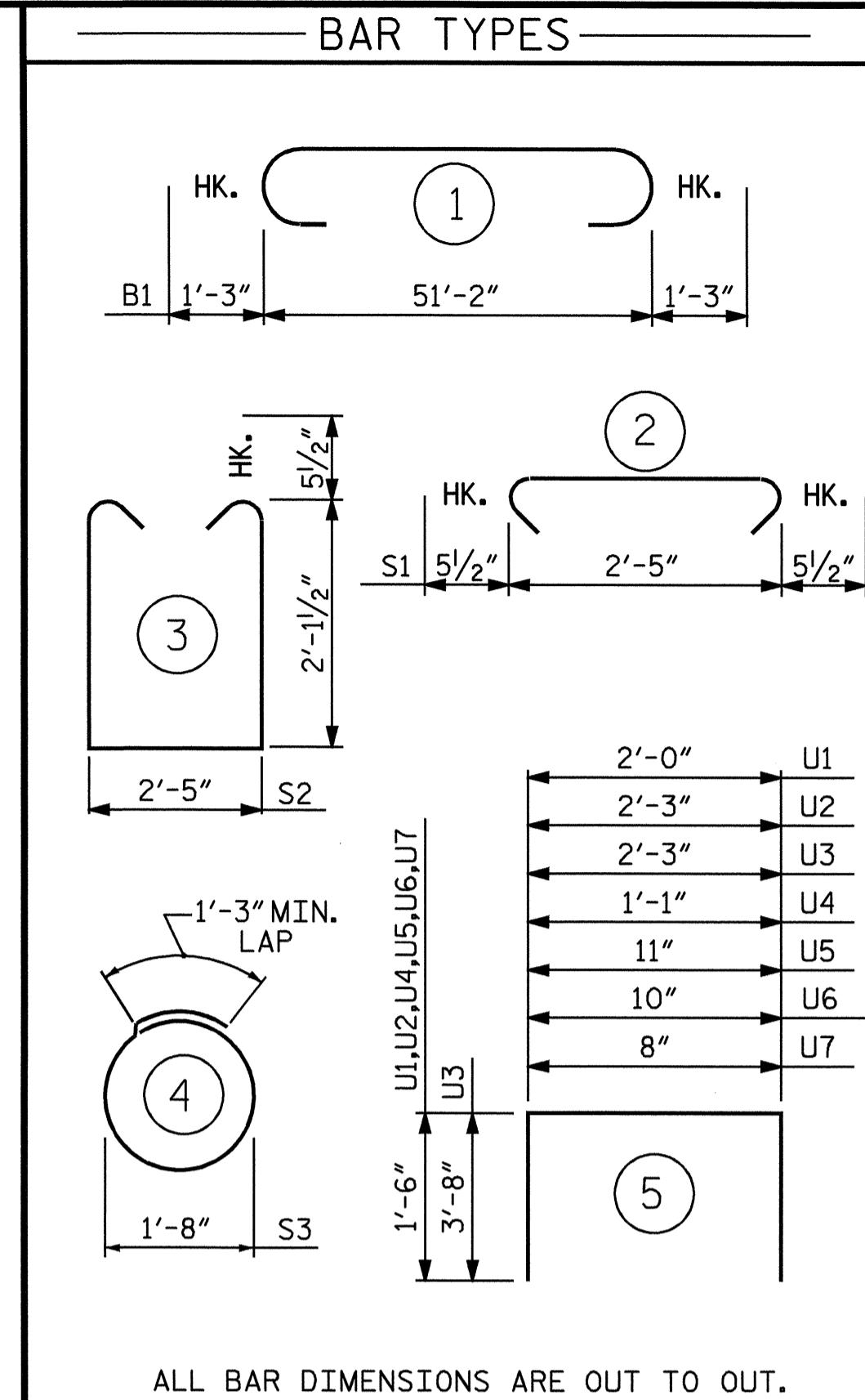


PLAN



ELEVATION

LATERAL GUIDE DETAILS



ALL BAR DIMENSIONS ARE OUT TO OUT.

BILL OF MATERIAL

| BAR | NO. | SIZE | TYPE | LENGTH | WEIGHT |
|------------------------|-----|------|------|---------|---------------|
| B1 | 8 | #9 | | 53'-8" | 1460 |
| B2 | 2 | #5 | STR | 51'-4" | 107 |
| B3 | 8 | #4 | STR | 26'-11" | 144 |
| B4 | 17 | #4 | STR | 2'-5" | 27 |
| | | | | | |
| D1 | 64 | #6 | STR | 1'-6" | 144 |
| | | | | | |
| S1 | 44 | #5 | | 3'-4" | 153 |
| S2 | 44 | #5 | | 7'-7" | 348 |
| S3 | 22 | #4 | | 6'-6" | 96 |
| | | | | | |
| U1 | 6 | #4 | | 5'-0" | 20 |
| U2 | 4 | #4 | | 5'-3" | 14 |
| U3 | 2 | #9 | | 9'-7" | 65 |
| U4 | 2 | #4 | | 4'-1" | 5 |
| U5 | 2 | #4 | | 3'-11" | 5 |
| U6 | 2 | #4 | | 3'-10" | 5 |
| U7 | 2 | #4 | | 3'-8" | 5 |
| REINFORCING STEEL | | | | | = 2598 LBS |
| CLASS A CONCRETE | | | | | |
| POUR #1 CAP | | | | | CU. YDS. 13.2 |
| POUR #2 LATERAL GUIDE | | | | | CU. YDS. 0.1 |
| TOTAL | | | | | CU. YDS. 13.3 |
| HP 12 X 53 STEEL PILES | | | | | |
| NO. 11 | | | | | LIN. FT. 440 |

* PILE VERTICAL

* PILE HORIZONTAL OR VERTICAL

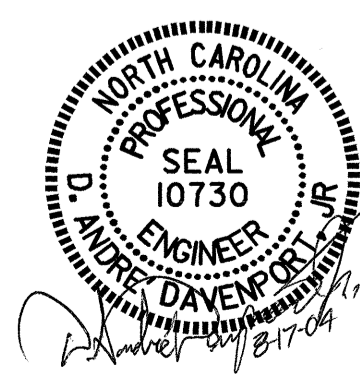
DETAIL A

DETAIL B

* POSITION OF PILE DURING WELDING.

PILE SPLICE DETAILS

DRAWN BY : H. T. BARBOUR DATE : 4-28-04
 CHECKED BY : D. A. DAVENPORT DATE : 5-04



PROJECT NO. B-3879
 NASH COUNTY
 STATION: 22+61.00 -L-

SHEET 2 OF 2

| REVISIONS | | | | | | SHEET NO. |
|-----------|----|------|-----|----|------|--------------|
| NO. | BY | DATE | NO. | BY | DATE | S-16 |
| 1 | | | 3 | | | TOTAL SHEETS |
| 2 | | | 4 | | | 26 |