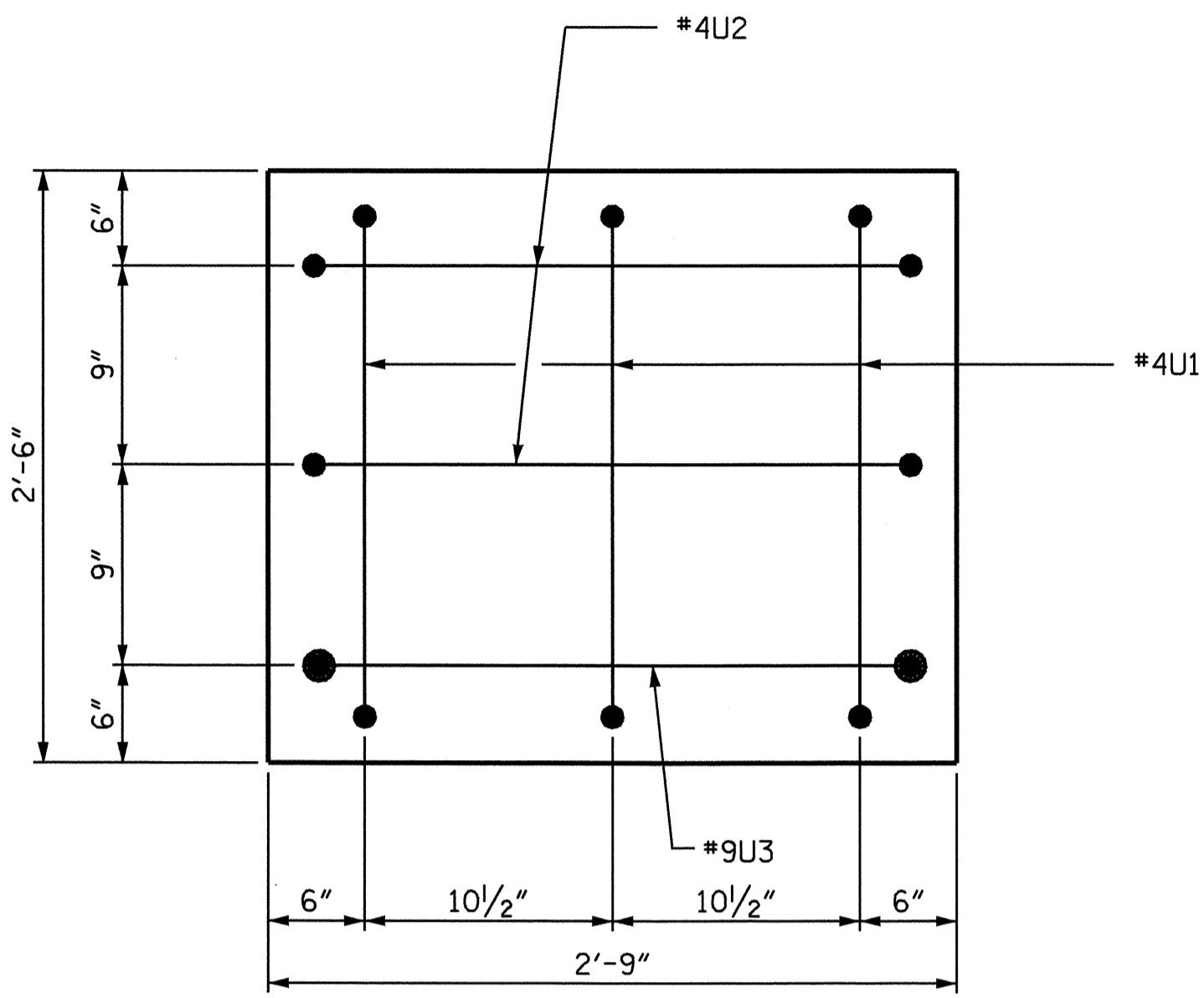
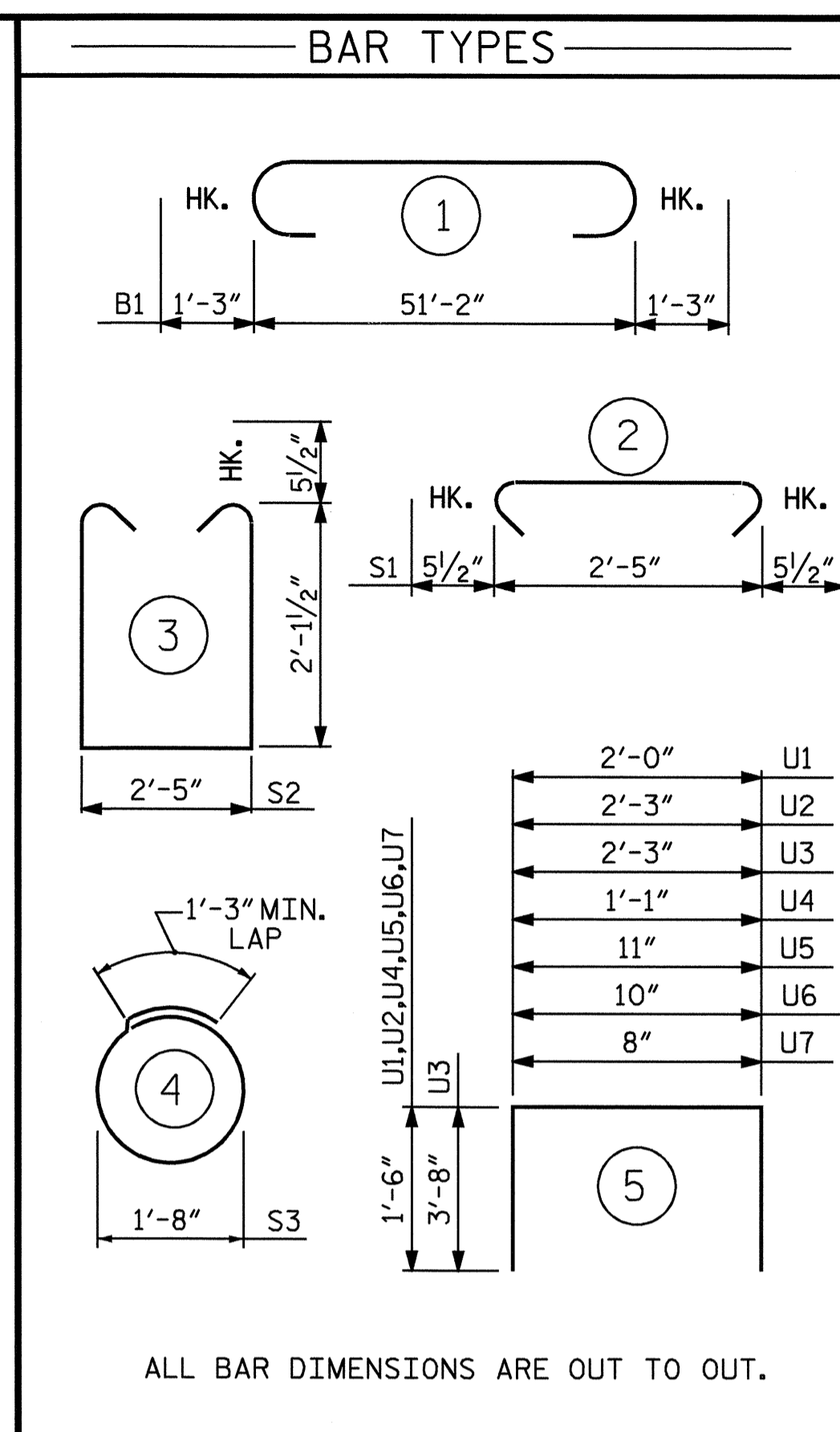


SECTION A-A

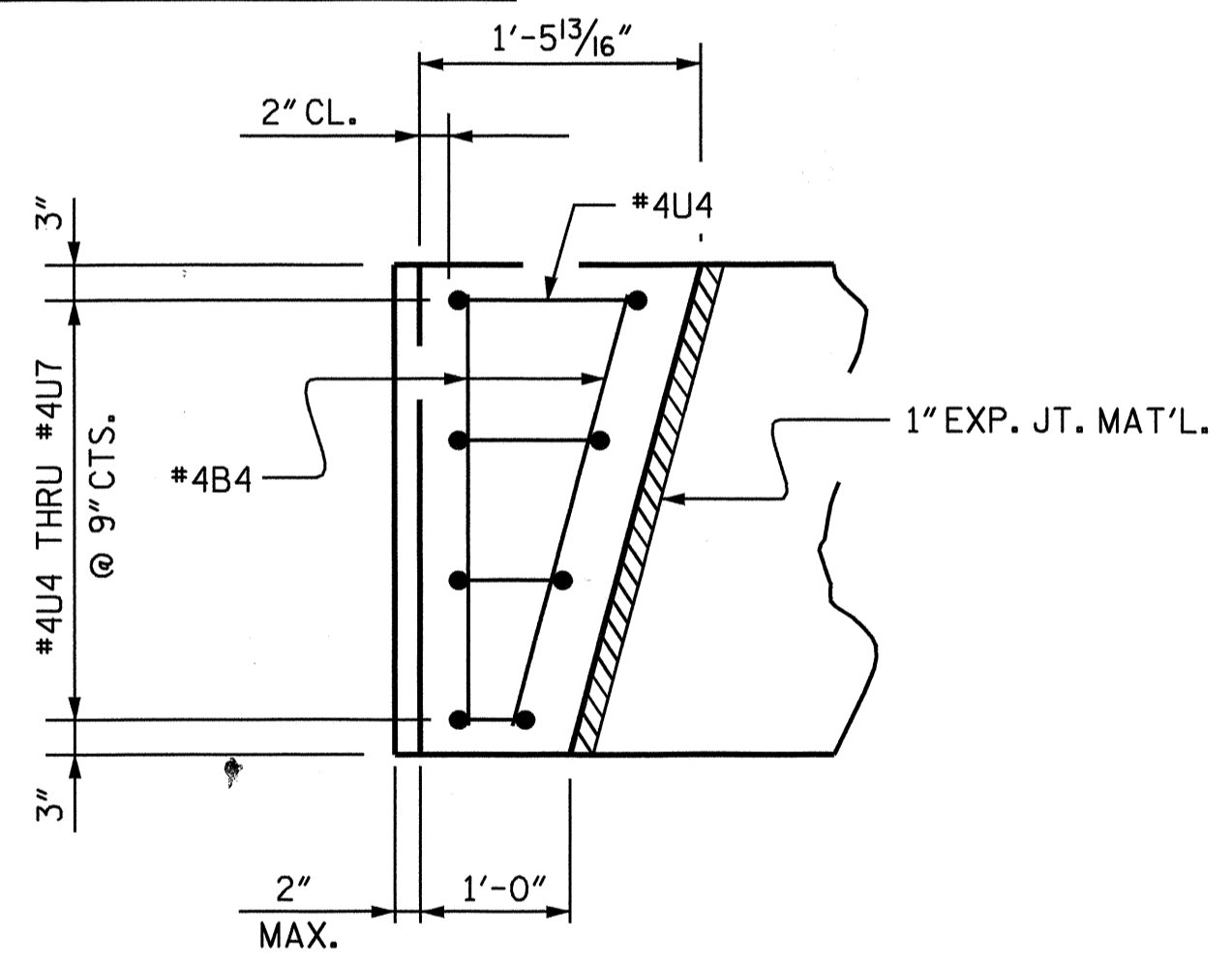


END VIEW

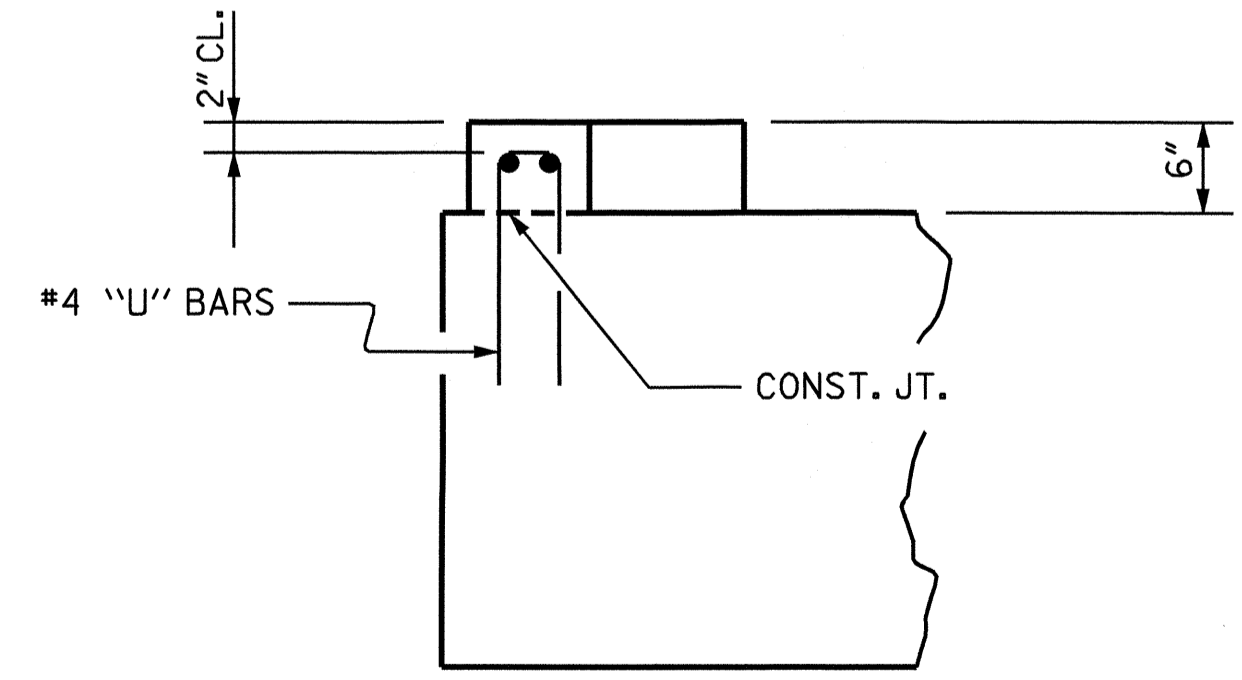
2" MIN. CONCRETE COVER FROM END OF CAP REQUIRED FOR ALL #4U1, #4U2 AND #9U3 BARS.
#4U1, #4U2 AND #9U3 BARS MAY BE SHIFTED UP TO 2" TO CLEAR "B" BARS.



BILL OF MATERIAL					
BAR	NO.	SIZE	TYPE	LENGTH	WEIGHT
B1	8	#9	1	53'-8"	1460
B2	2	#5	STR	51'-4"	107
B3	8	#4	STR	26'-11"	144
B4	17	#4	STR	2'-5"	27
D1	64	#6	STR	1'-6"	144
S1	44	#5	2	3'-4"	153
S2	44	#5	3	7'-7"	348
S3	22	#4	4	6'-6"	96
U1	6	#4	5	5'-0"	20
U2	4	#4	5	5'-3"	14
U3	2	#9	5	9'-7"	65
U4	2	#4	5	4'-1"	5
U5	2	#4	5	3'-11"	5
U6	2	#4	5	3'-10"	5
U7	2	#4	5	3'-8"	5
REINFORCING STEEL					= 2598 LBS
CLASS A CONCRETE POUR #1 CAP					CU. YDS. 13.2
POUR #2 LATERAL GUIDE					CU. YDS. 0.1
TOTAL					CU. YDS. 13.3
HP 12 X 53 STEEL PILES NO. 11					LIN. FT. 440

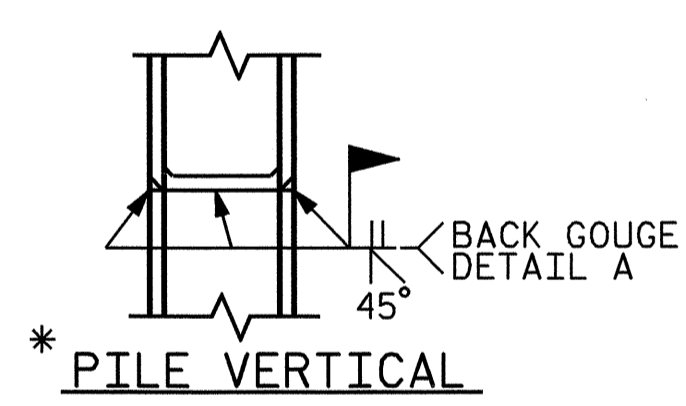


PLAN

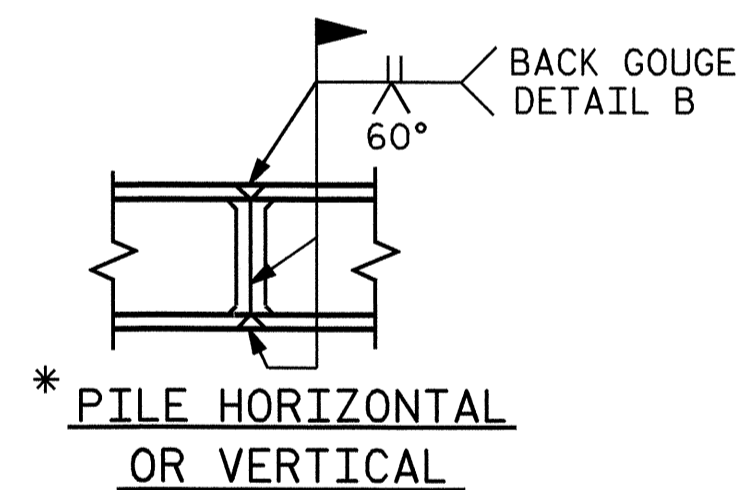


ELEVATION

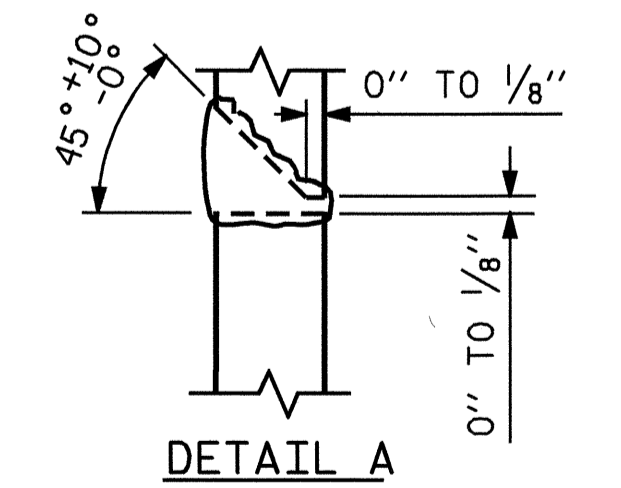
LATERAL GUIDE DETAILS



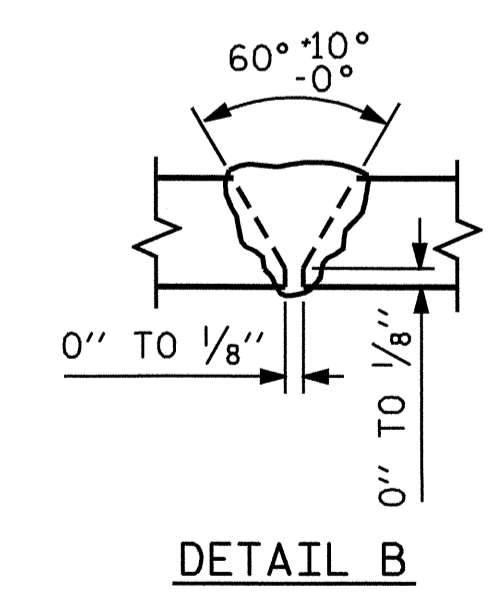
* PILE VERTICAL



* PILE HORIZONTAL OR VERTICAL



* POSITION OF PILE DURING WELDING.



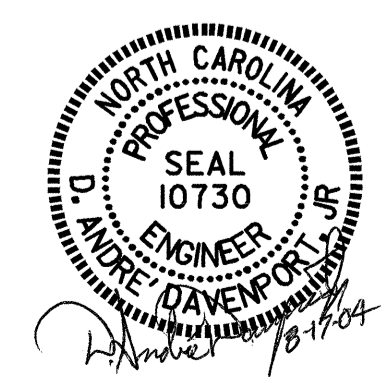
DETAIL B

PILE SPLICE DETAILS

PROJECT NO. B-3879
NASH COUNTY
 STATION: 22+61.00 -L-

SHEET 2 OF 2

STATE OF NORTH CAROLINA DEPARTMENT OF TRANSPORTATION RALEIGH					
SUBSTRUCTURE BENT #3					
REVISIONS					SHEET NO.
NO.	BY:	DATE:	NO.	BY:	DATE:
1			3		
2			4		
					TOTAL SHEETS 26



DRAWN BY: H. T. BARBOUR DATE: 4-28-04
 CHECKED BY: D. A. DAVENPORT DATE: 5-04