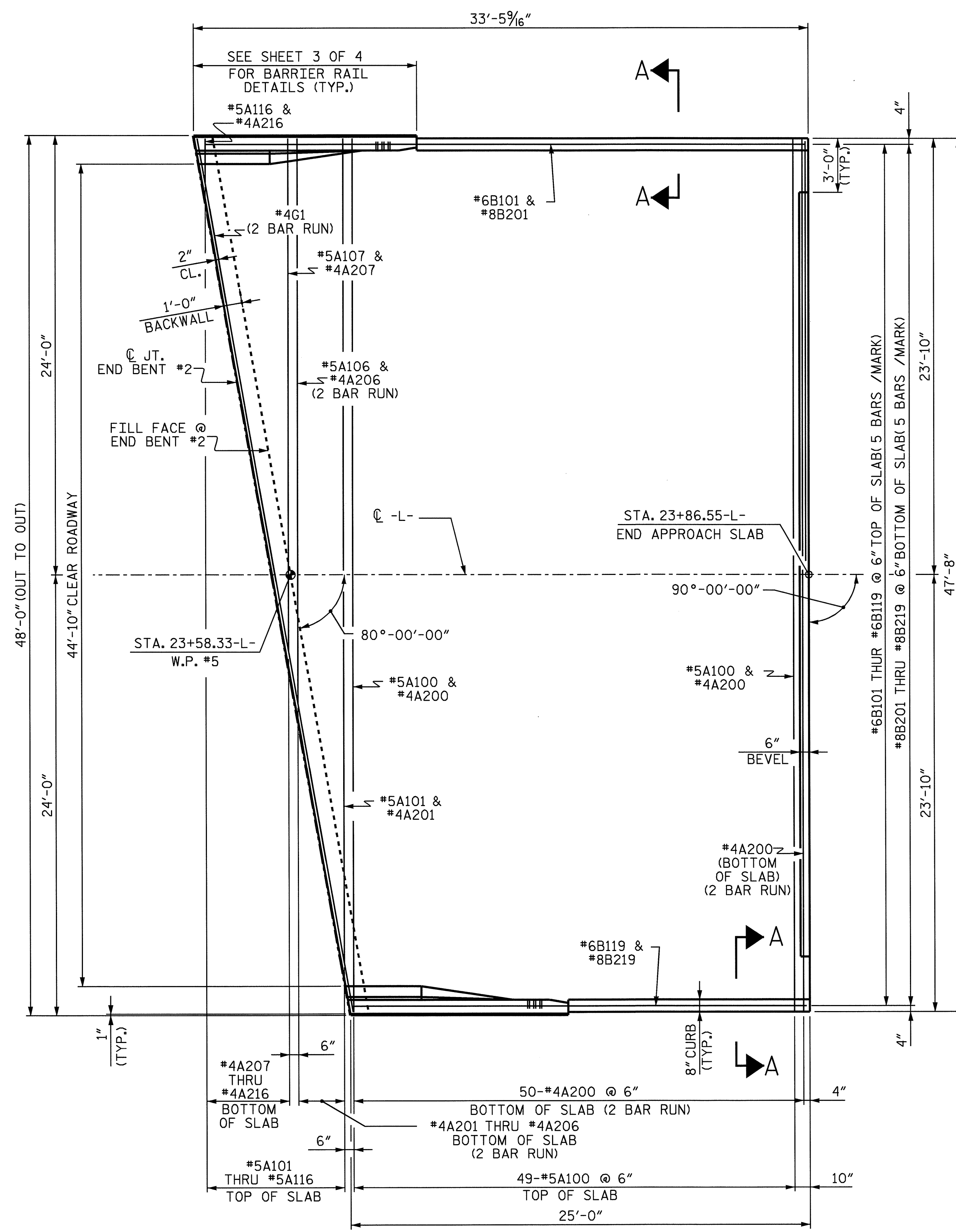
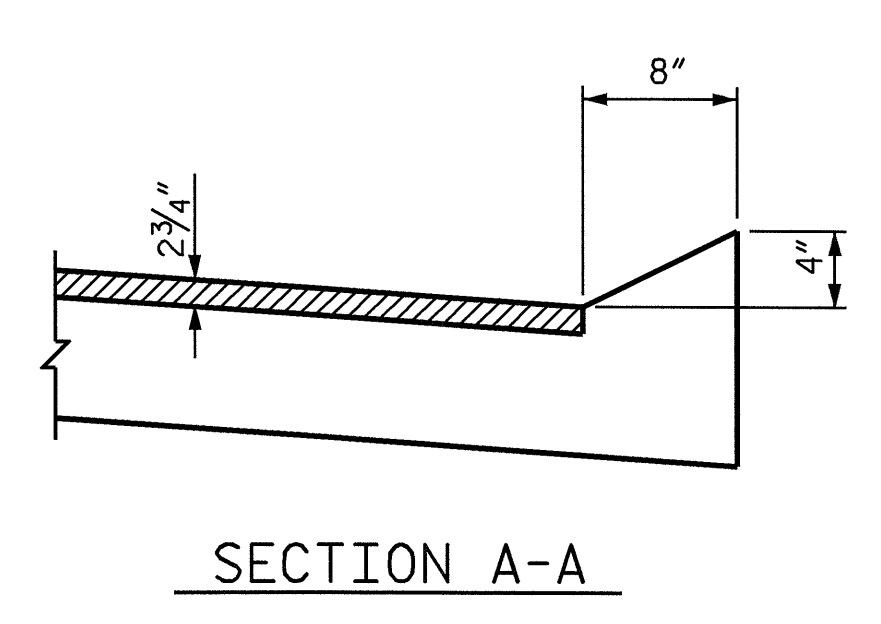


APPROACH SLAB @ END BENT #1



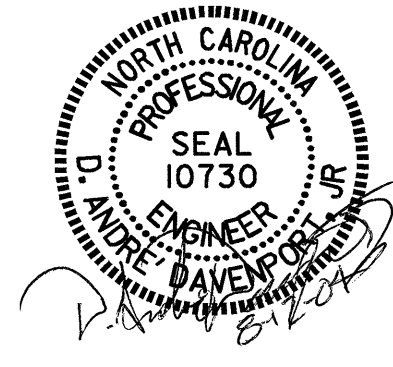
APPROACH SLAB @ END BENT #2



PLAN

PROJECT NO. B-3879  
 NASH COUNTY  
 STATION: 22+61.00-L-

SHEET 2 OF 4  
 DEPARTMENT OF TRANSPORTATION  
 RALEIGH  
 BRIDGE APPROACH SLAB  
 FOR PRESTRESSED  
 CONCRETE CORED SLAB  
 WITH BARRIER RAIL



DRAWN BY: H. T. BARBOUR DATE: 3-25-04  
 CHECKED BY: G. M. PATTERSON DATE: 3-04

REVISIONS						SHEET NO. 5-24
NO.	BY:	DATE:	NO.	BY:	DATE:	
1			3			TOTAL SHEETS 26
2			4			

30-JUL-2004 08:09  
 W:\squad\B3879\barbour\Microstation\B-3879.ed\_AS.01.dgn  
 odavenpor