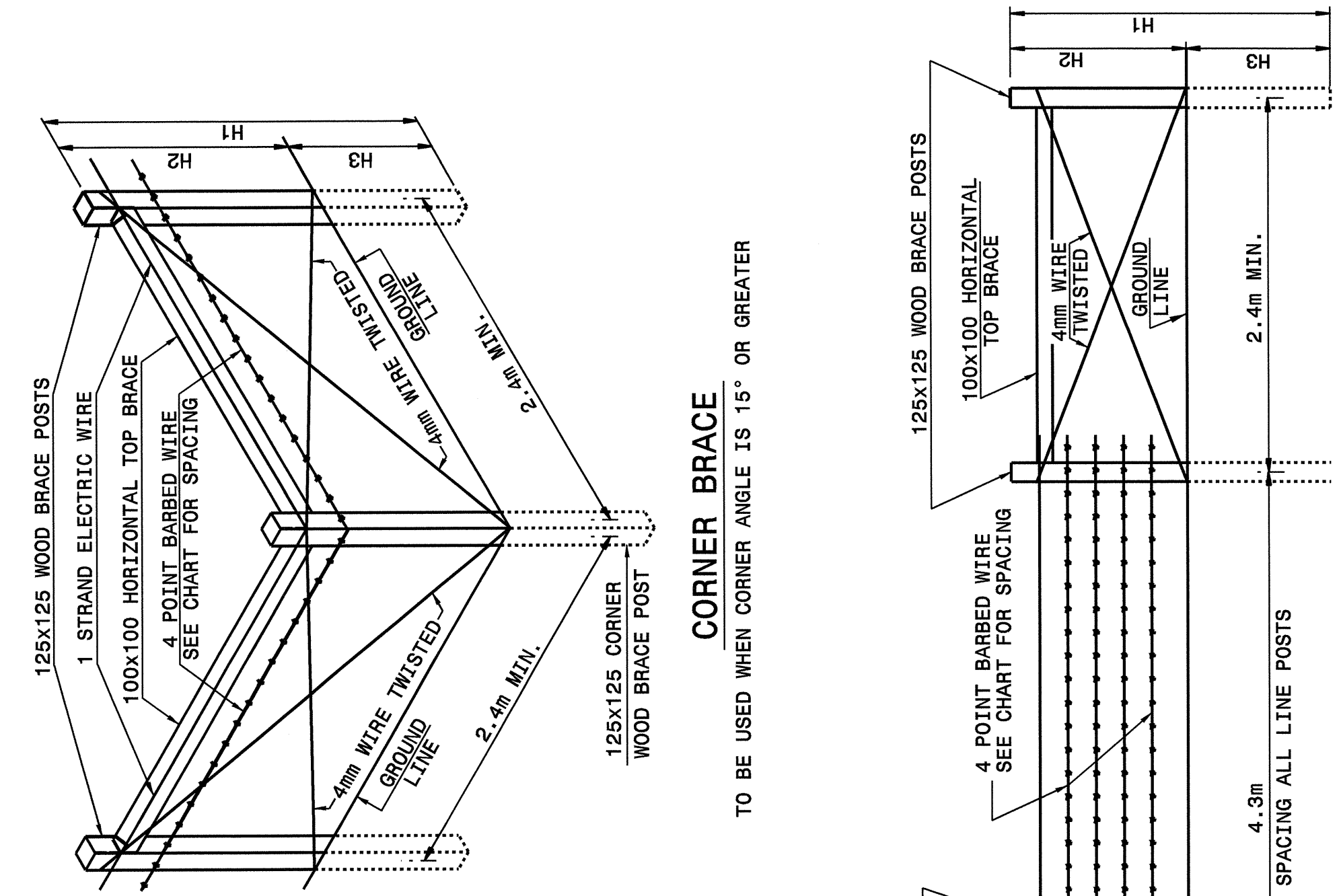


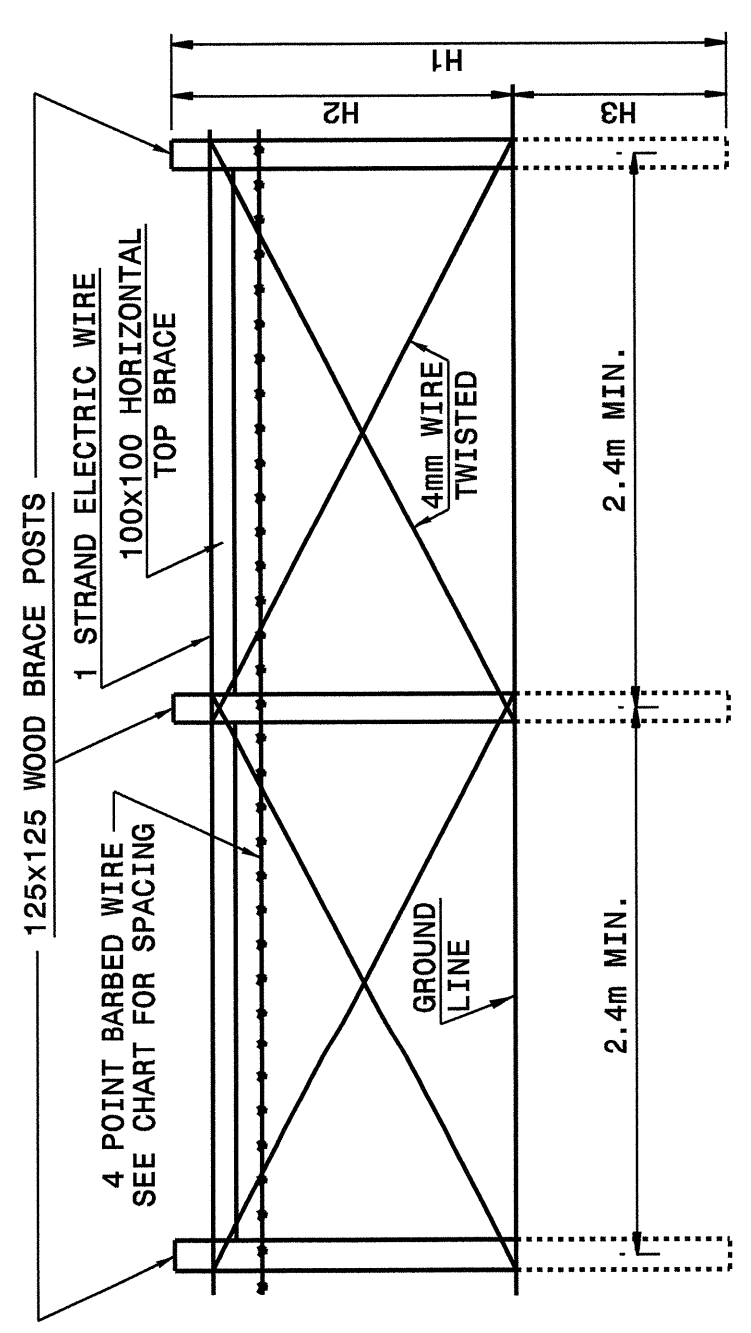


STATE OF NORTH CAROLINA DEPT. OF TRANSPORTATION DIVISION OF HIGHWAYS RALEIGH, N.C.  
METRIC STANDARD DRAWING FOR  
**4 STRAND BARBED WIRE FENCE WITH 4 STRAND ELECTRIC WIRE**  
WITH WOOD POSTS  
SHEET 1 OF 2  
**866D04**



**CORNER BRACE**

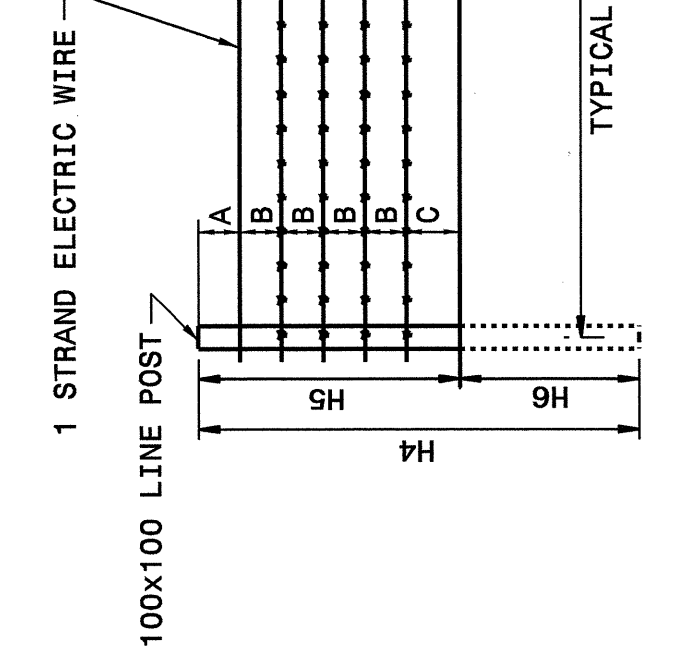
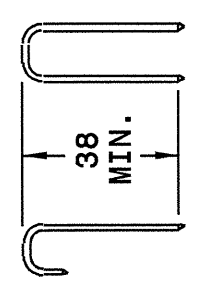
TO BE USED WHEN CORNER ANGLE IS 15° OR GREATER



**LINE BRACES**  
(MAXIMUM SPACING 100m)

BARBED WIRE CHART W/ELECTRIC WIRE TOP		NUMBER OF BARBED WIRE STRANDS	4
STRAND SPACING	A	80	
	B	280	
	C	200	
BRACE POSTS	LENGTH EXPOSED	H1	2.4m
	EMBEDMENT	H2	1.4m
		H3	1.0m
LINE POSTS	LENGTH EXPOSED	H4	2.2m
	EMBEDMENT	H5	1.4m
		H6	0.8m
HORIZONTAL BRACE		...	2.4

**ALTERNATE TYPES OF STAPLES**



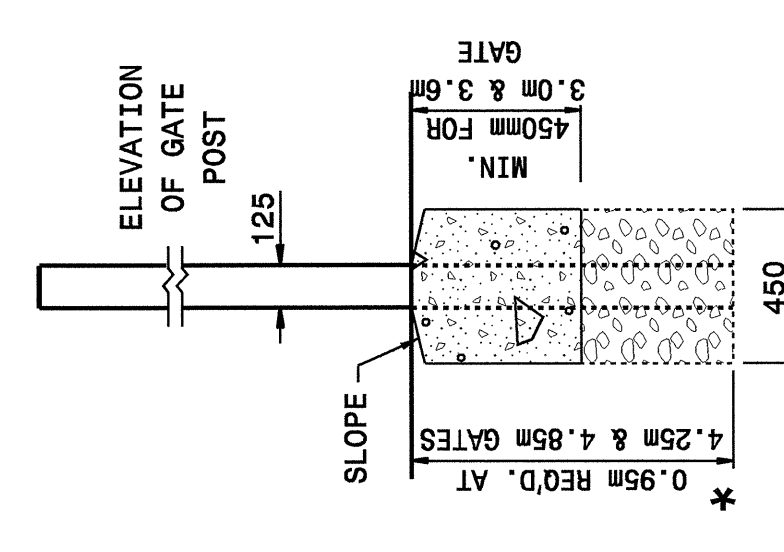
**END OR GATE BRACES**

Note: This drawing is dimensioned in millimeters unless otherwise depicted within the drawing.

STATE OF NORTH CAROLINA DEPT. OF TRANSPORTATION DIVISION OF HIGHWAYS RALEIGH, N.C.  
METRIC STANDARD DRAWING FOR  
**4 STRAND BARBED WIRE FENCE WITH 1 STRAND ELECTRIC WIRE**  
WITH WOOD POSTS  
SHEET 1 OF 2  
**866D04**

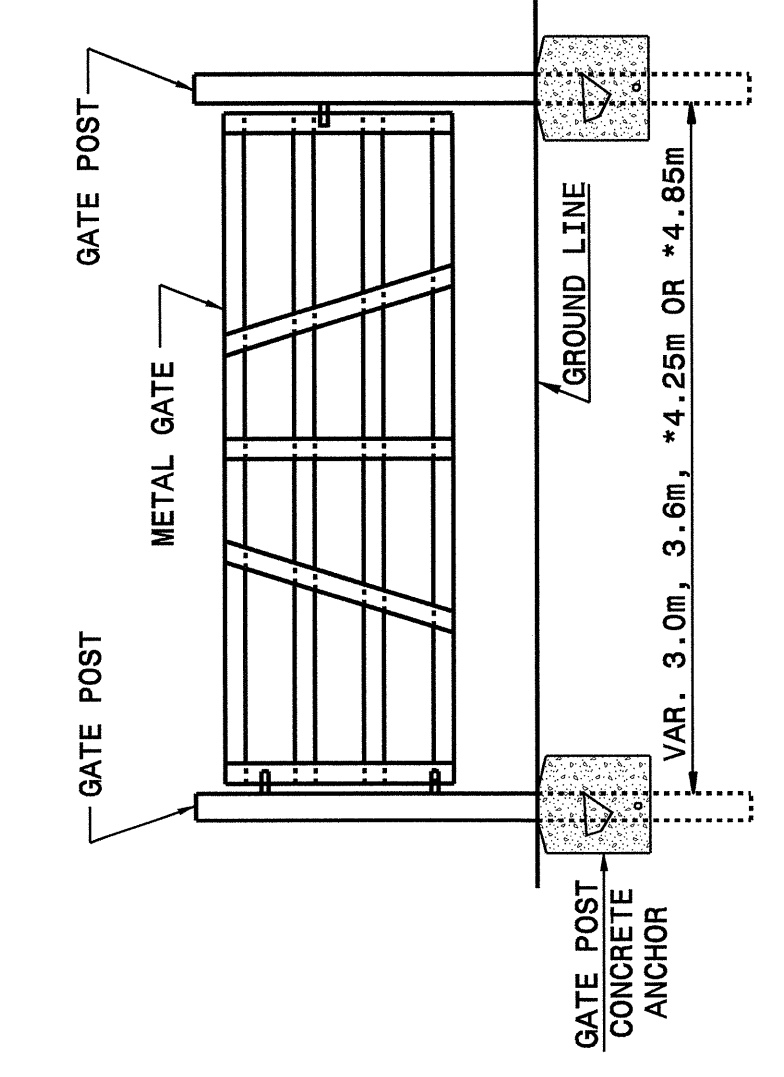
STATE OF NORTH CAROLINA DEPT. OF TRANSPORTATION DIVISION OF HIGHWAYS RALEIGH, N.C.  
METRIC STANDARD DRAWING FOR  
**4 STRAND BARBED WIRE FENCE WITH 4 STRAND ELECTRIC WIRE**  
WITH WOOD POSTS  
SHEET 2 OF 2  
**866D04**

**GENERAL NOTES:**  
ALL POSTS AND BRACES MAY BE EITHER ROUND OR SQUARE AT THE OPTION OF THE CONTRACTOR, PROVIDED THE SAME TYPE IS USED THROUGHOUT THE PROJECT.  
DIMENSIONS SHOWN ARE THE DIAMETER OF ROUND OR EDGE DIMENSIONS OF SQUARE POSTS AND BRACES.  
RECT LINE BRACES BETWEEN END, CORNER OR GATE POSTS. PLACE LINE BRACES AT INTERVALS NOT EXCEEDING 100m AND AT THE END OF THE BARBED WIRE ROLL.  
THE 100m INTERVAL MAY BE REDUCED BY THE ENGINEER ON CURVES WHERE THE RADIUS OF CURVATURE IS LESS THAN 585m.  
NOTCH BRACE POSTS ARE 25mm MINIMUM FOR HORIZONTAL BRACES. PLACE TWO GALVANIZED 12d OR THREE GALVANIZED 10d NAILS AT EACH END OF ALL BRACES.  
PLACE THE BRACE WIRE AROUND THE POST. DRAW ALL BRACE WIRE TAUT BY TWISTING BETWEEN EACH POST.  
INSTALL THE FENCE FACING THE PROPERTY OWNER EXCEPT THAT ON HORIZONTAL CURVES HAVING LESS THAN A 585m RADIUS, INSTALL THE FENCE TO PULL AGAINST ALL POSTS. SEE STD. 866.02 FOR FENCING AT DITCH CROSSINGS, BREAKS IN GRADES AND R/W BREAKS.  
USE LATCH DEVICE APPROVED BY THE ENGINEER. HINGE ASSEMBLY AS SHOWN IS SUGGESTED. SUBSTITUTION MAY BE SUBJECT TO APPROVAL BY THE ENGINEER. USE GATE FRAME WITH 35mm DIAMETER GALVANIZED STEEL PIPE EXCEPT AS SHOWN HERE.  
ANY COMBINATION OF GATE AND FENCE TYPE MEETING THE APPROVAL OF THE ENGINEER IS ACCEPTABLE AND IS NOT LIMITED TO THE EXAMPLES SHOWN HEREON.  
ELECTRIC WIRE, GATES, LATCH DEVICES, HINGES AND INSULATORS SHALL BE OF A TYPE AND INSTALLED AS APPROVED BY THE ENGINEER.

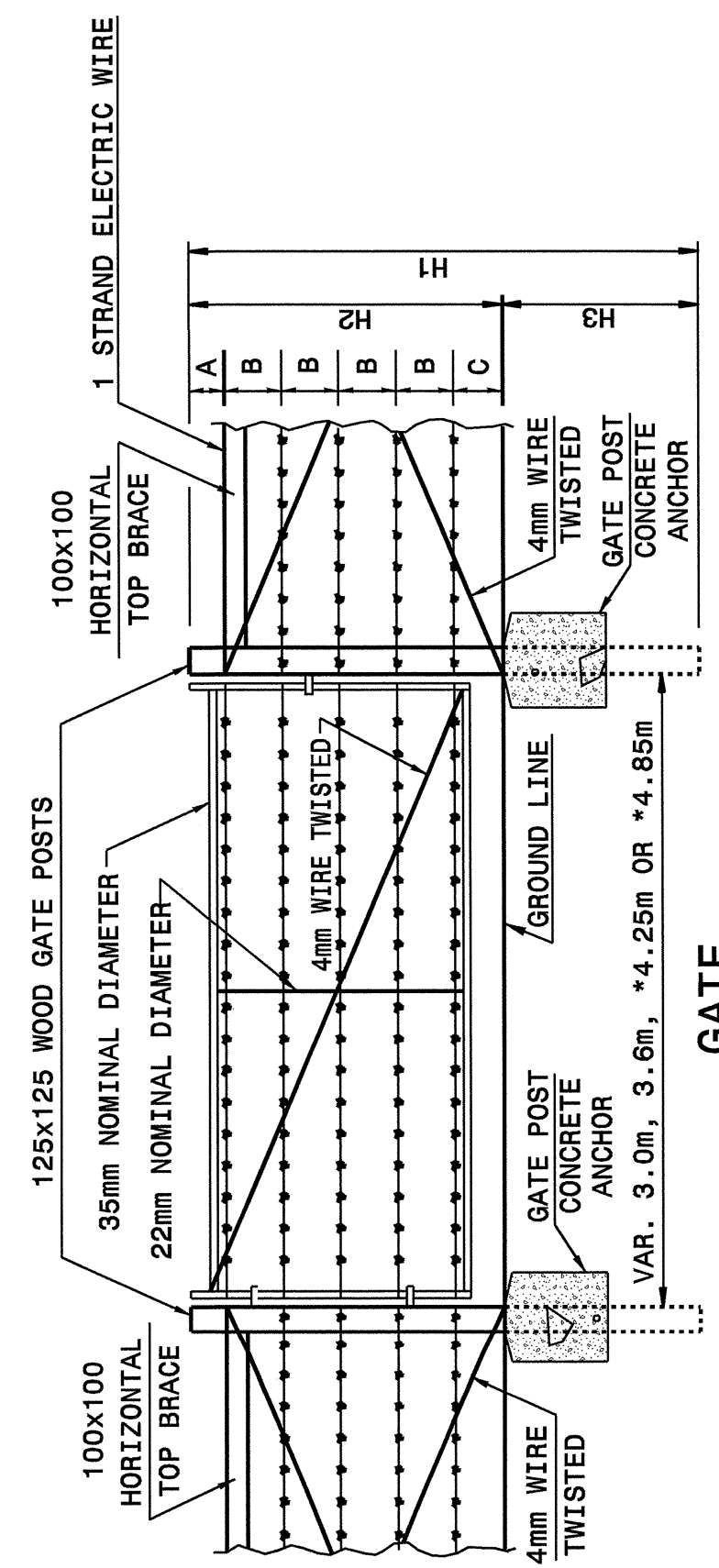


**DETAIL OF GATE POST ANCHOR**

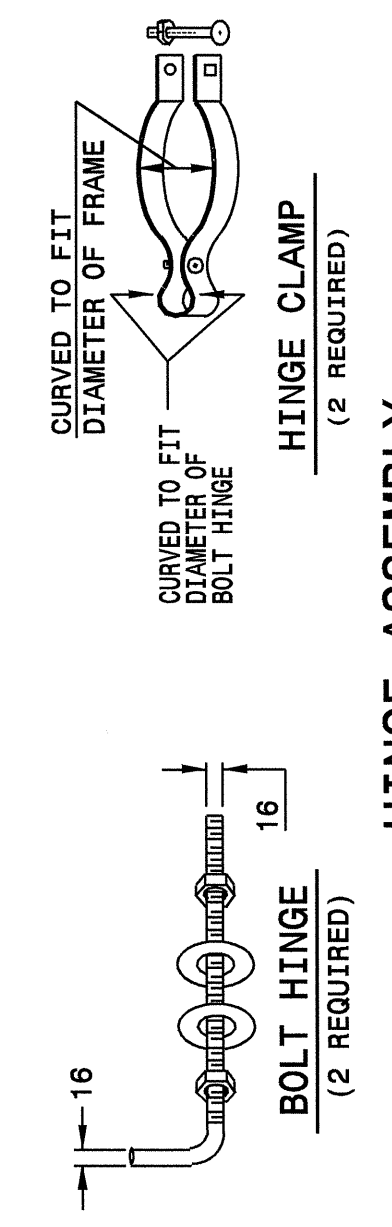
CLASS "B" CONCRETE TO BE USED AT GATE POSTS OR WHERE REQUIRED BY SOIL CONDITIONS. CONCRETE MAY ALSO BE USED IN LIEU OF SETTING POSTS TO THEIR MAXIMUM DEPTH.



**ALTERNATE CATTLE GATE**



Note: This drawing is dimensioned in millimeters unless otherwise depicted within the drawing.

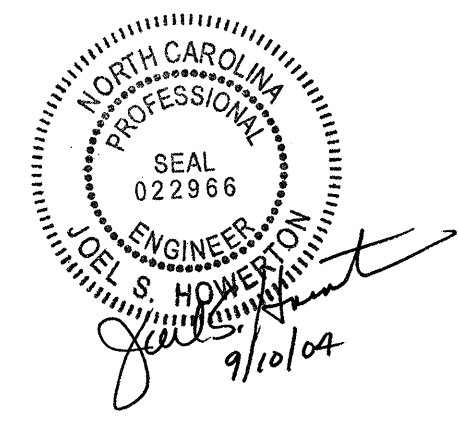


**HINGE ASSEMBLY**

STATE OF NORTH CAROLINA DEPT. OF TRANSPORTATION DIVISION OF HIGHWAYS RALEIGH, N.C.  
METRIC STANDARD DRAWING FOR  
**4 STRAND BARBED WIRE FENCE WITH 1 STRAND ELECTRIC WIRE**  
WITH WOOD POSTS  
SHEET 2 OF 2  
**866D04**

**DESIGN SERVICES UNIT**  
STANDARDS AND SPECIAL DESIGN  
Office 919-250-4128 FAX 919-250-4119  
**4 STRAND BARBED WIRE FENCE WITH 1 STRAND ELECTRIC WIRE WITH WOOD/STEEL POSTS**

ORIGINAL BY: N.T.K. DATE: AUG/96  
MODIFIED BY: T. Speer DATE: AUG/04  
CHECKED BY: J. S. Howerton DATE: 7/1/04  
FILE SPEC.: wdsr/details/fence/1s\_ewfm.dgn



3/10/2004 11:58 AM C:\projects\metric\details\metric\1s\_ewfm.dgn