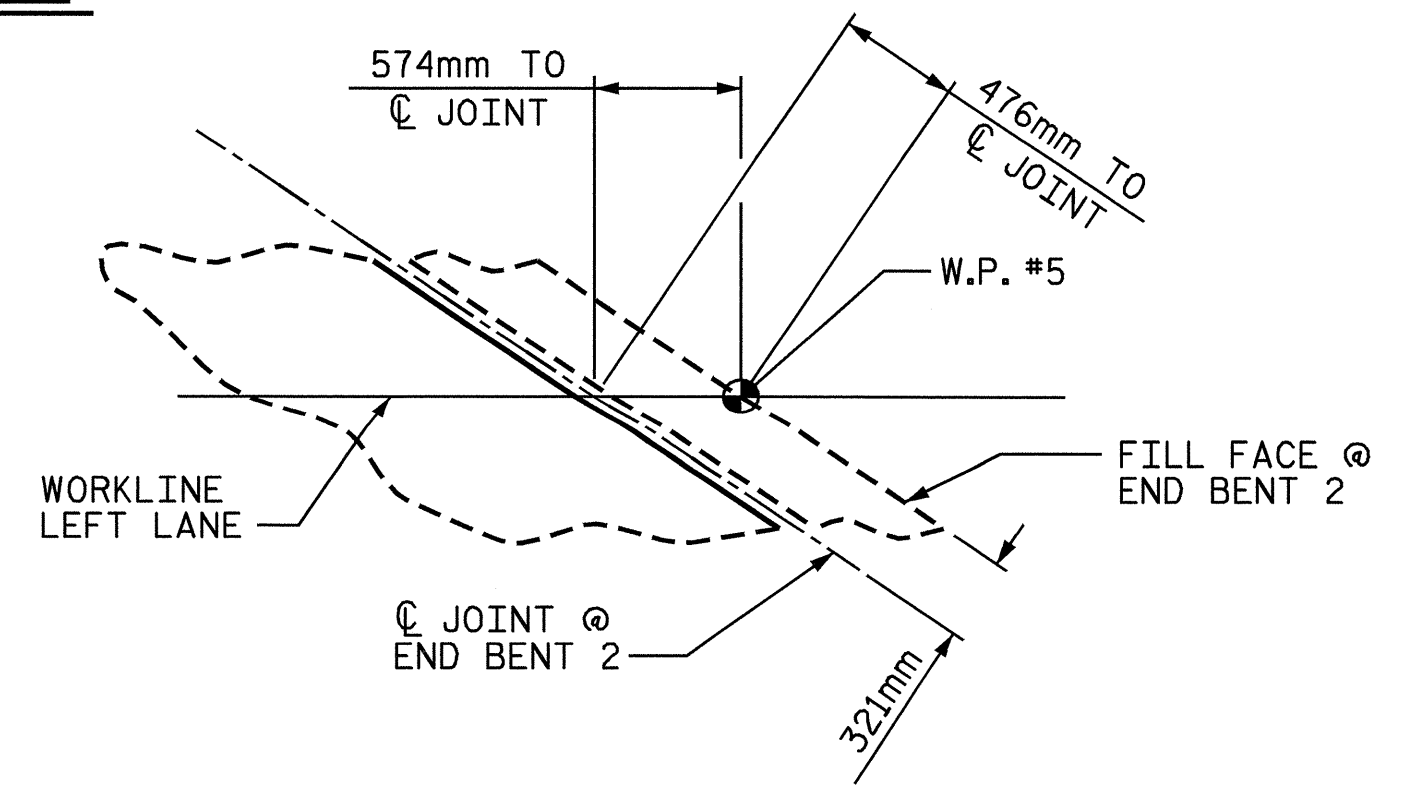


DETAIL "D"



DETAIL "C"

PLAN OF SPAN D

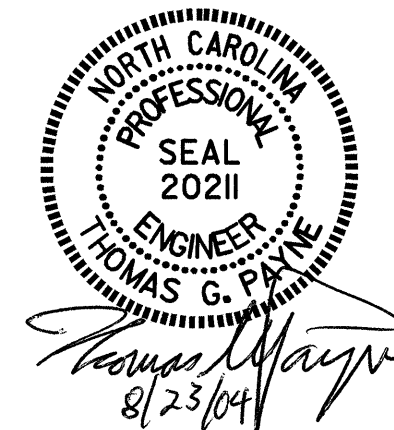
FOR SECTION A-A & AT BENT SEE "SUPERSTRUCTURE TYPICAL SECTIONS" SHEET 2 OF 2.  
FOR TRANSVERSE CONSTRUCTION JOINT DETAIL SEE SUPERSTRUCTURE BILL OF MATERIAL.

PROJECT NO. R-2206B  
LINCOLN COUNTY  
 STATION: 123+38.105 -L-

STATE OF NORTH CAROLINA  
 DEPARTMENT OF TRANSPORTATION  
 RALEIGH

== SUPERSTRUCTURE ==  
 PLAN OF SPAN D  
 (LEFT LANE)

REVISIONS						SHEET NO.
NO.	BY:	DATE:	NO.	BY:	DATE:	S-11
1			3			TOTAL SHEETS
2			4			86



DRAWN BY: M.J. OSTRISHKO DATE: 4-2-01  
 CHECKED BY: E.G. ALLEN DATE: 4-20-01

23-AUG-2004 10:20  
 W:\squad\2206b\Final Plans\str1\2206b01sc.dgn  
 tpayne