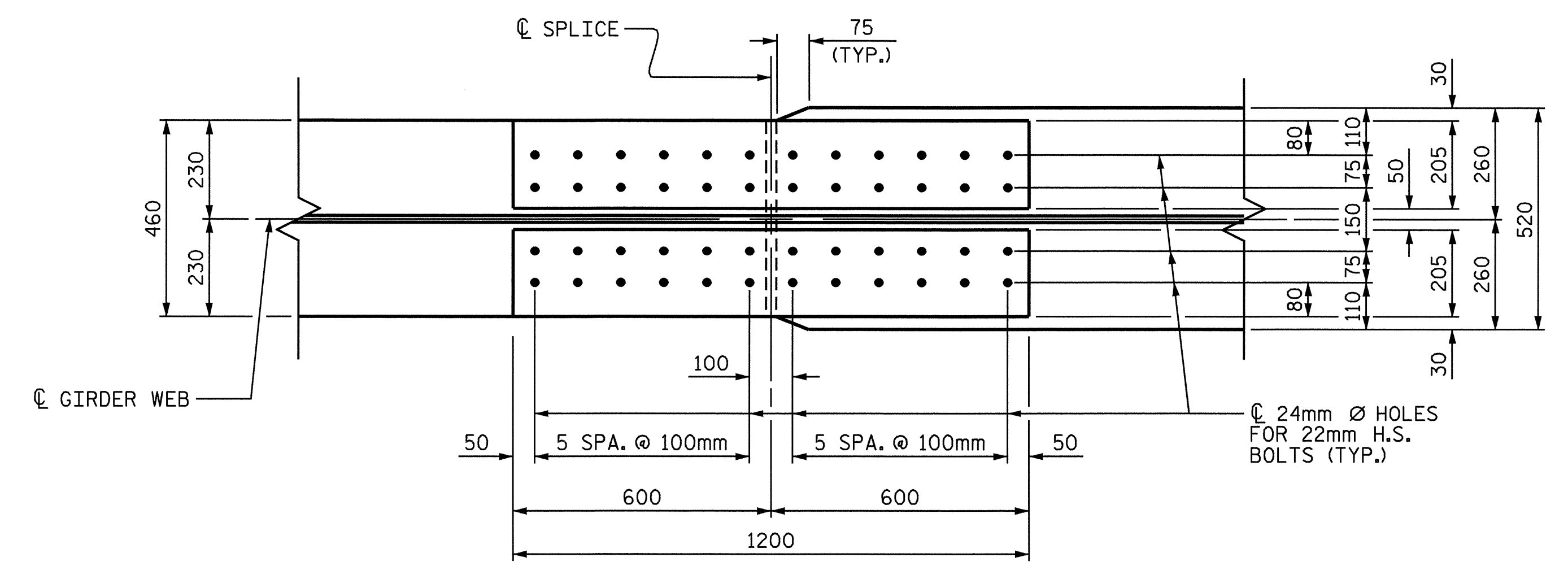
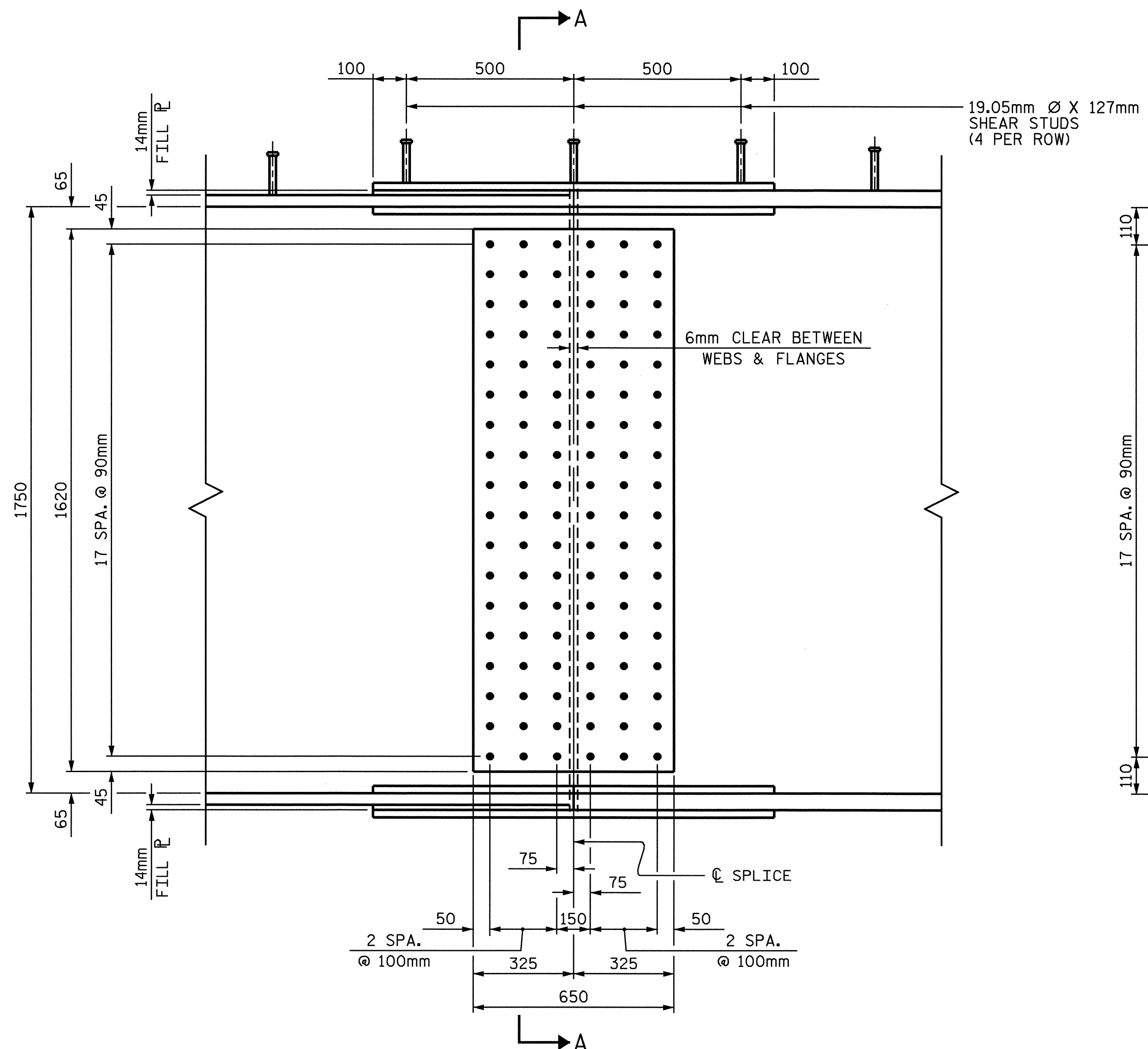


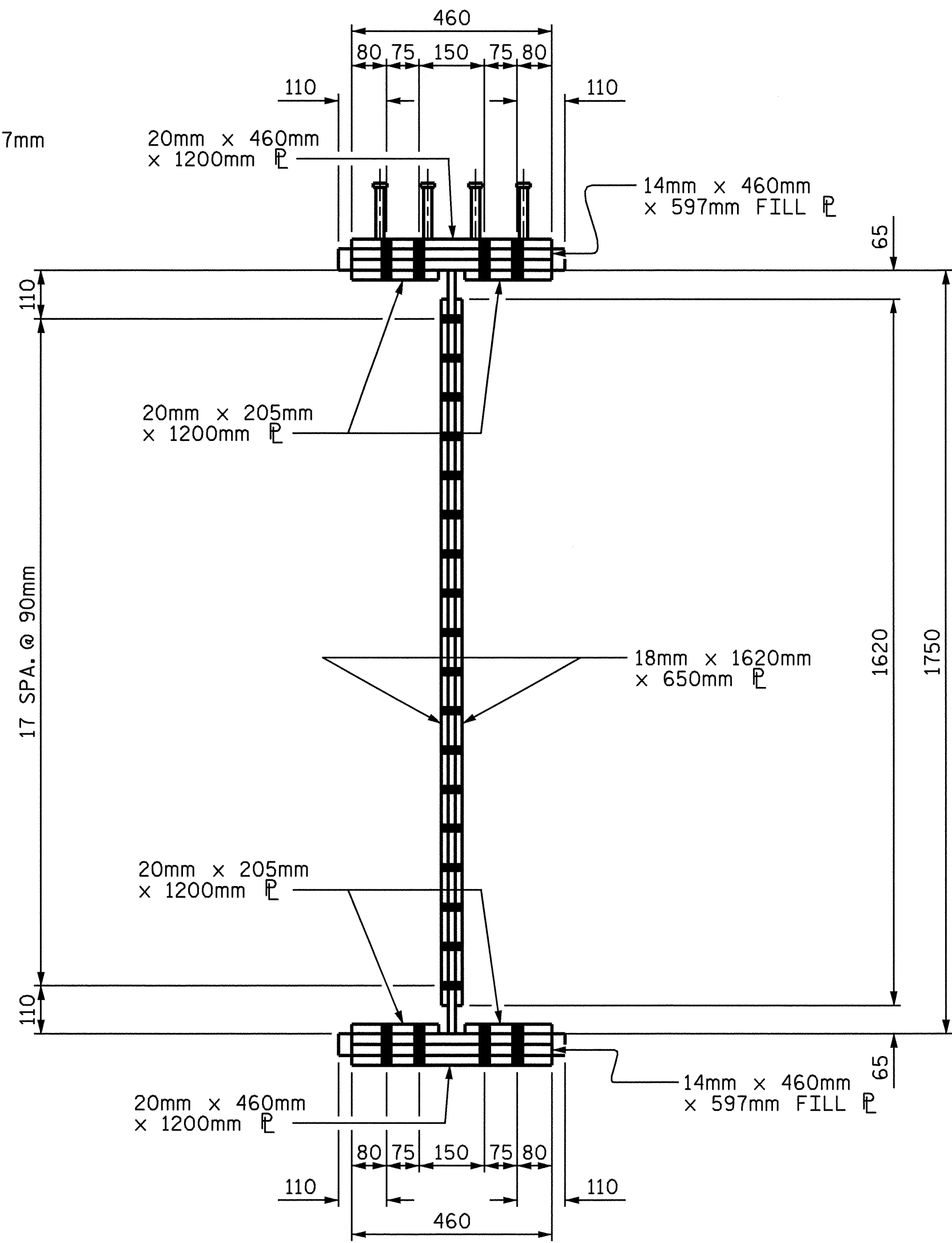
PLAN (TOP OF TOP FLANGE)



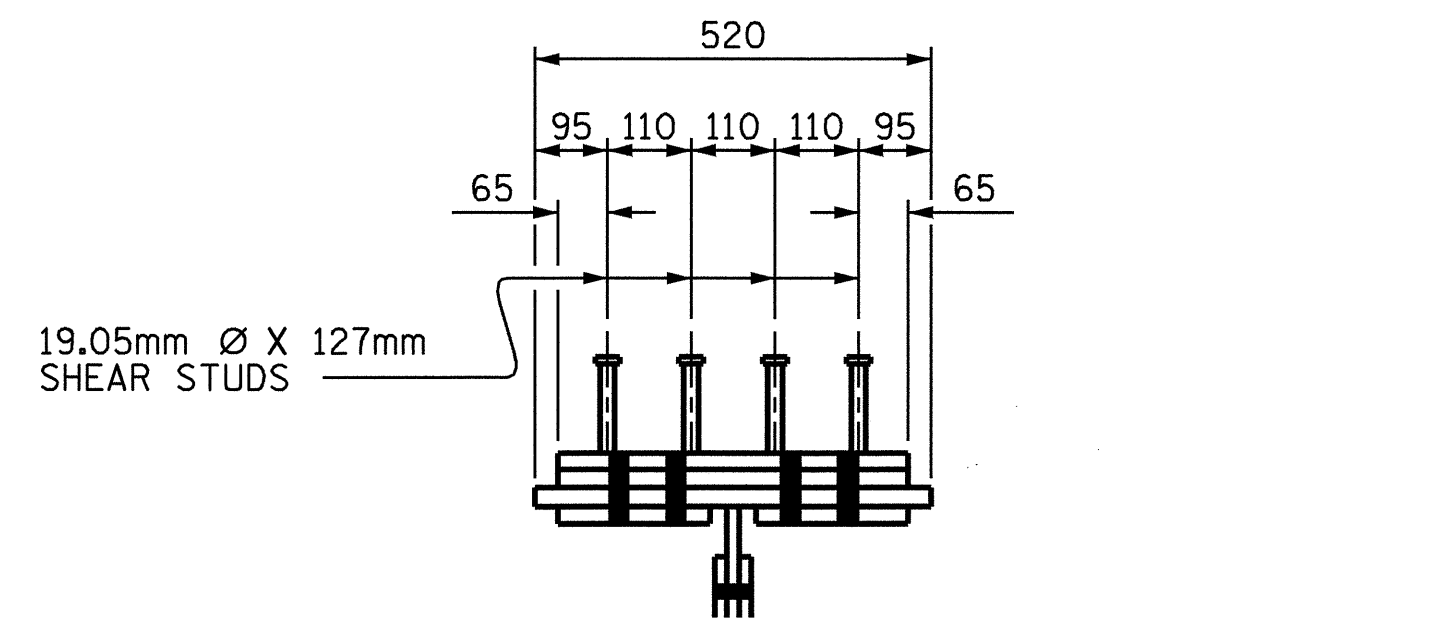
PLAN (TOP OF BOTTOM FLANGE)



ELEVATION



SECTION A-A

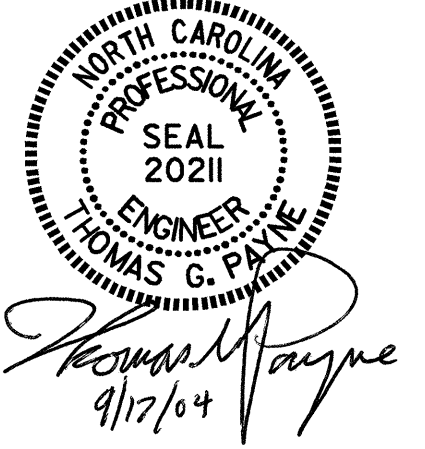


SHEAR STUD DETAIL FOR TOP FLANGE SPLICING PLATE

BOLTED FIELD SPLICE DETAILS (TYPICAL SPLICES @ 460mm TO 520mm FLANGES)

PROJECT NO. R-2206B
 LINCOLN COUNTY
 STATION: 123+38.105 -L-

SHEET 6 OF 6



STATE OF NORTH CAROLINA
 DEPARTMENT OF TRANSPORTATION
 RALEIGH
 SUPERSTRUCTURE
 STRUCTURAL STEEL
 DETAILS
 (LEFT LANE)

REVISIONS						SHEET NO.
NO.	BY:	DATE:	NO.	BY:	DATE:	TOTAL SHEETS
1			3			S-17
2			4			86

DRAWN BY: M. J. OSTRISHKO DATE: 4-2-01
 CHECKED BY: E. G. ALLEN DATE: 4-20-01

17-SEP-2004 07:11
 W:\squad1\2206b\Final Plans\str1\2206b01.ss.dgn
 achah