

# NOTES

FOR POT BEARINGS, SEE SPECIAL PROVISIONS.

AT ALL POINTS OF SUPPORT AT BENTS, NUTS FOR ANCHOR BOLTS SHALL BE TIGHTENED FINGER TIGHT AND GIVEN AN ADDITIONAL 1/4 TURN. THE THREAD OF THE NUT AND BOLT SHALL THEN BE BURRED WITH A SHARP POINTED TOOL.

WHEN WELDING THE SOLE PLATE TO THE GIRDER, USE TEMPERATURE INDICATING WAX PENS, OR OTHER SUITABLE MEANS, TO ENSURE THAT THE TEMPERATURE OF THE BEARING DOES NOT EXCEED 121°C. TEMPERATURES ABOVE THIS MAY DAMAGE THE TFE OR ELASTOMER.

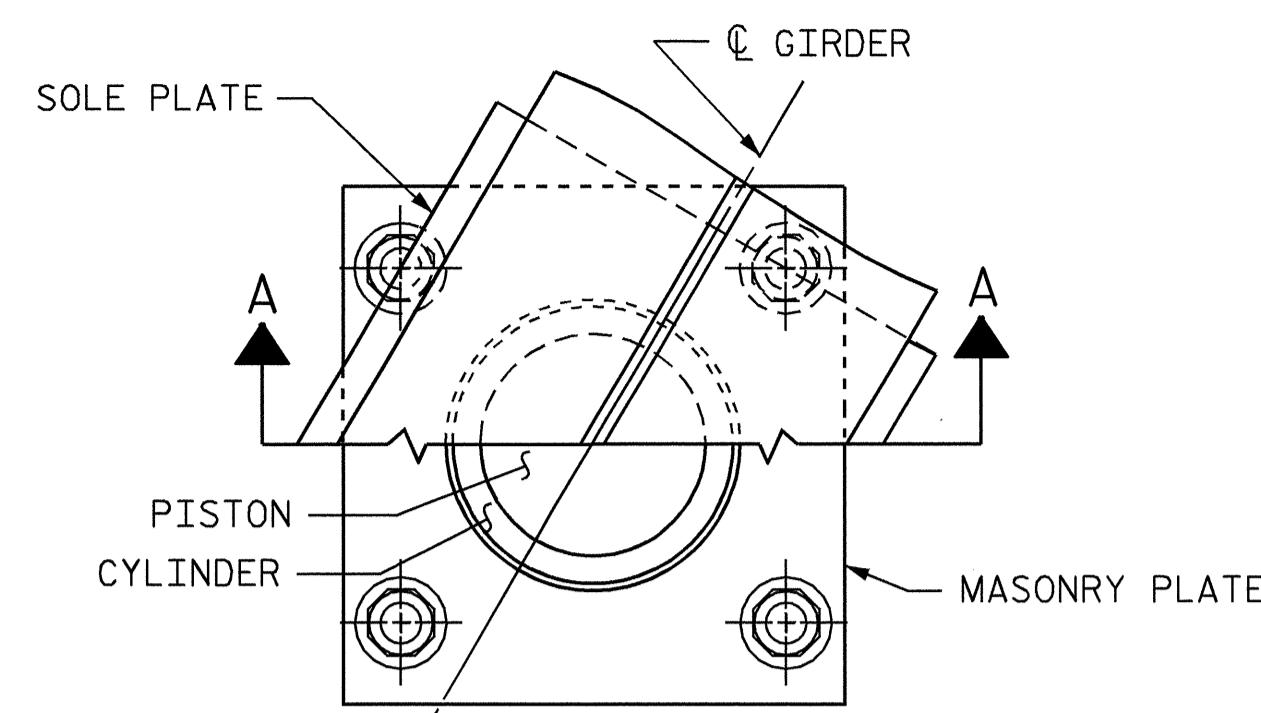
SOLE PLATES SHOULD BE WELDED TO BEAM FLANGES BEFORE FALSEWORK IS PLACED.

ALL SURFACES OF BEARING PLATES SHALL BE SMOOTH AND STRAIGHT.

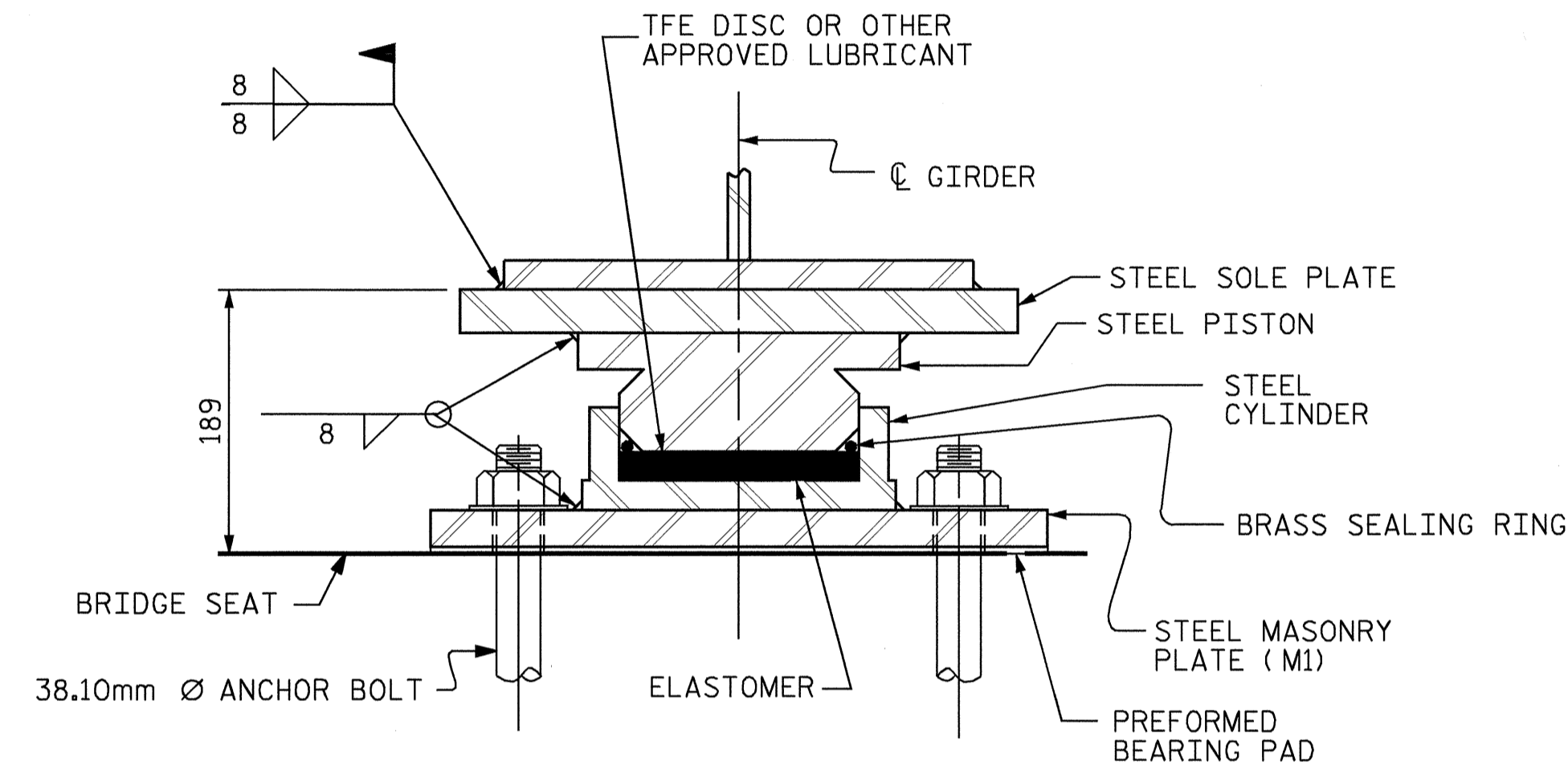
ALL METALLIZED SURFACES SHALL RECEIVE A SEAL COATING AS SPECIFIED IN THE SPECIAL PROVISION FOR THERMAL SPRAYED COATINGS (METALLIZATION).

THE CONTRACTOR MAY SUBSTITUTE DISC BEARINGS FOR THE POT BEARINGS SHOWN. FOR OPTIONAL DISC BEARINGS, SEE SPECIAL PROVISIONS.

BEARING	LOCATION	VERTICAL LOAD ( kN )			LATERAL LOAD ( kN )	TOTAL MOVEMENT ( mm )
		DEAD	LIVE	TOTAL		
PB1 (FIXED)	BENT 1	1335	581	1916	267	
PB1 (FIXED)	BENT 2	1464	637	2101	293	
PB1 (FIXED)	BENT 3	1722	677	2399	344	



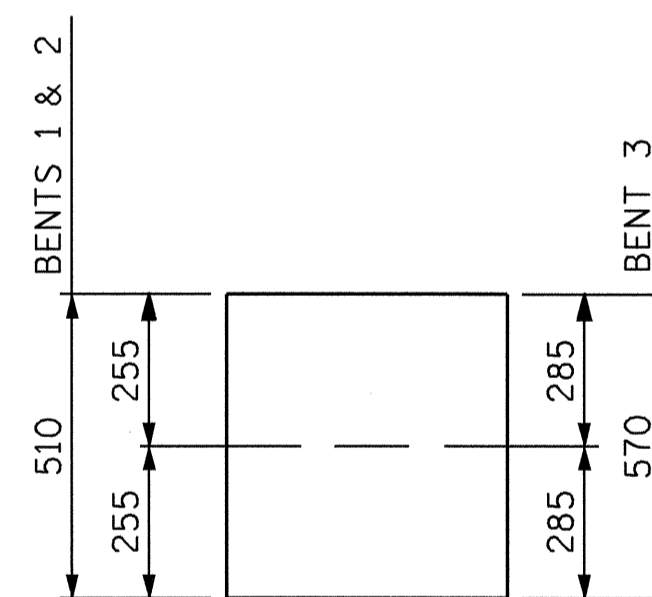
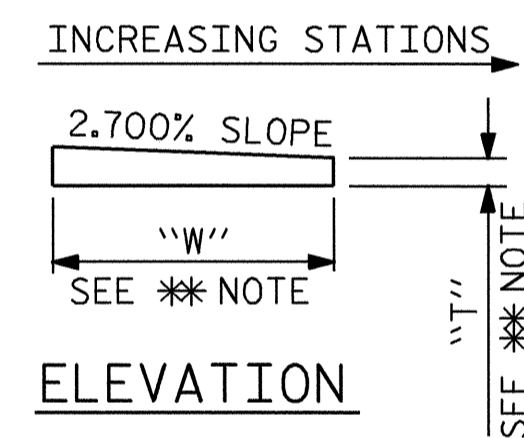
CUT-AWAY PLAN



SECTION A-A

PB1, FIXED  
( 12 REQUIRED )

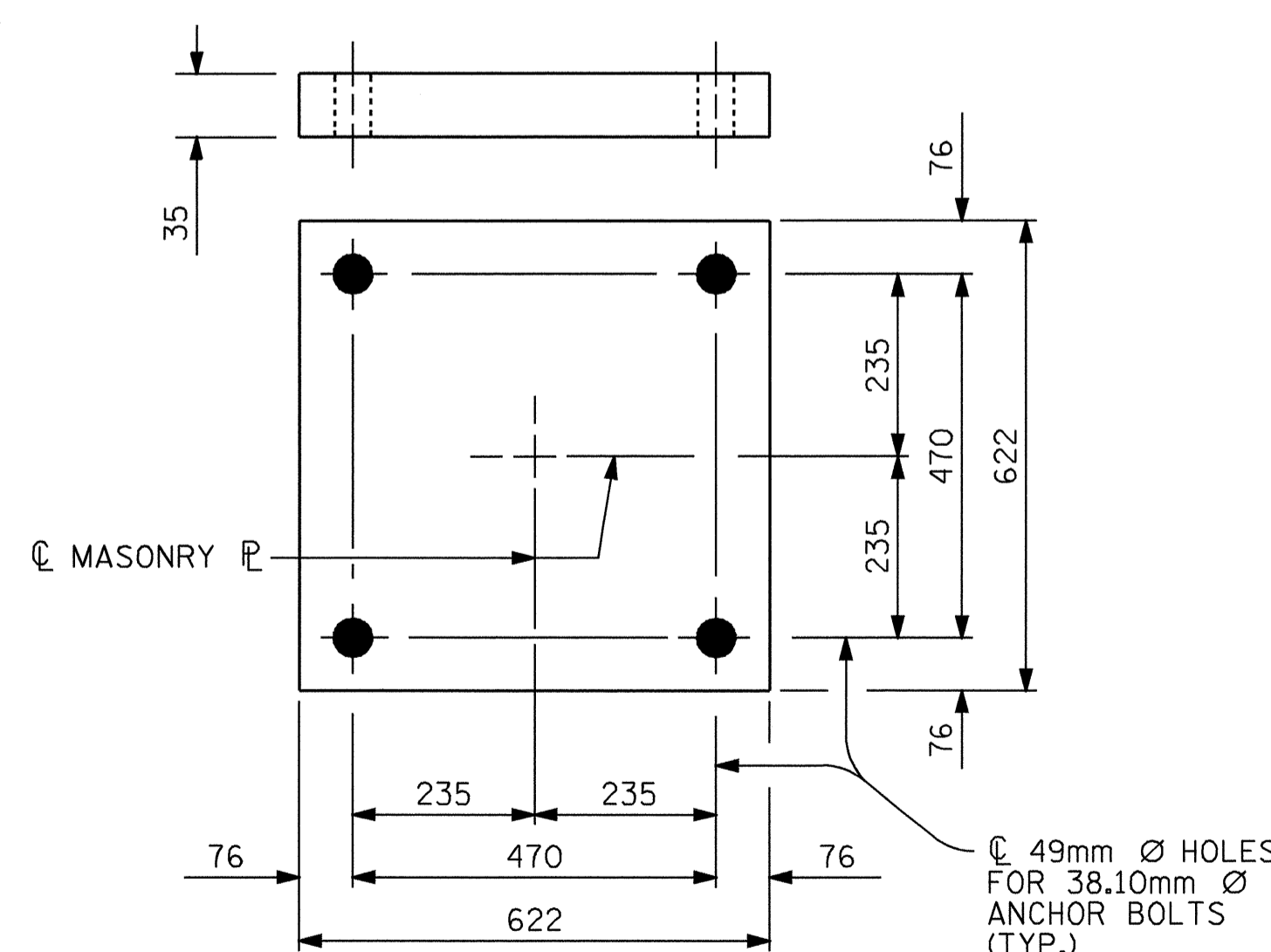
## POT BEARING DETAILS



\*\* NOTE: DIMENSIONS "W" AND "T" ARE TO BE DETERMINED BY THE MANUFACTURER.

PLAN  
S1 ( 12 REQ'D. )

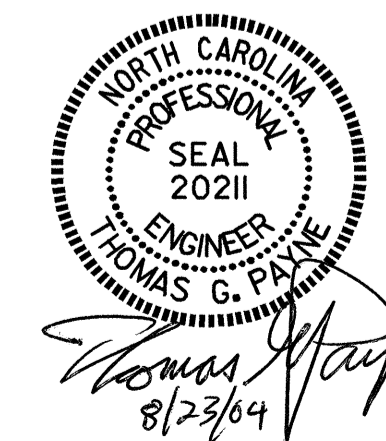
## SOLE PLATE DETAILS



PLAN  
M1 ( 12 REQ'D. )

## MASONRY PLATE DETAILS

PROJECT NO. R-2206B  
LINCOLN COUNTY  
STATION: 123+38.105 -L-



STATE OF NORTH CAROLINA DEPARTMENT OF TRANSPORTATION RALEIGH						SHEET NO.
SUPERSTRUCTURE POT BEARING DETAILS ( LEFT LANE )						S-23
REVISIONS						TOTAL SHEETS
NO.	BY:	DATE:	NO.	BY:	DATE:	86
1			3			
2			4			

ASSEMBLED BY : M. J. OSTRISHKO	DATE : 4-2-01
CHECKED BY : E. G. ALLEN	DATE : 4-20-01
DRAWN BY : RWW 8/99	ADDED 8/16/99
CHECKED BY : LES 8/99	REV. 10/17/00 RWW/LES
	REV. 7/10/01 LES/RWW