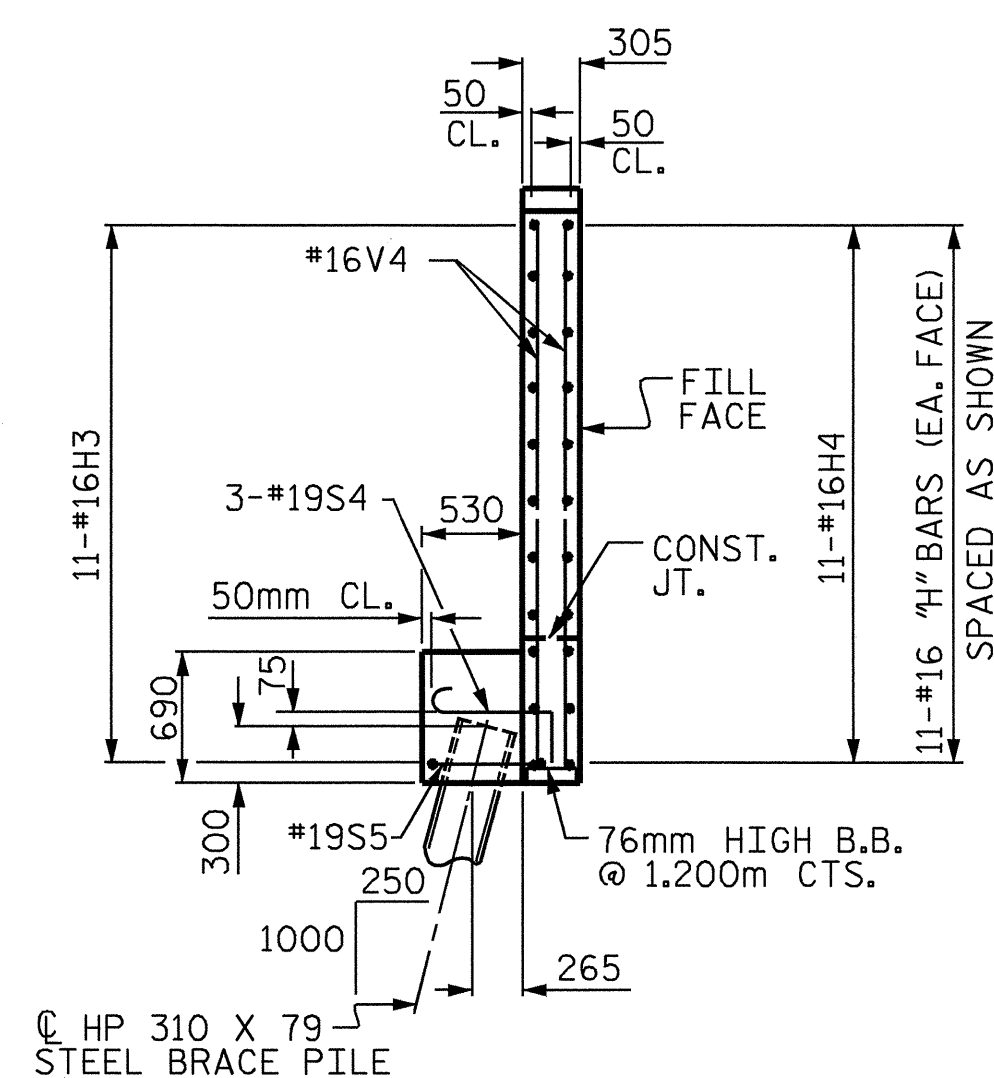
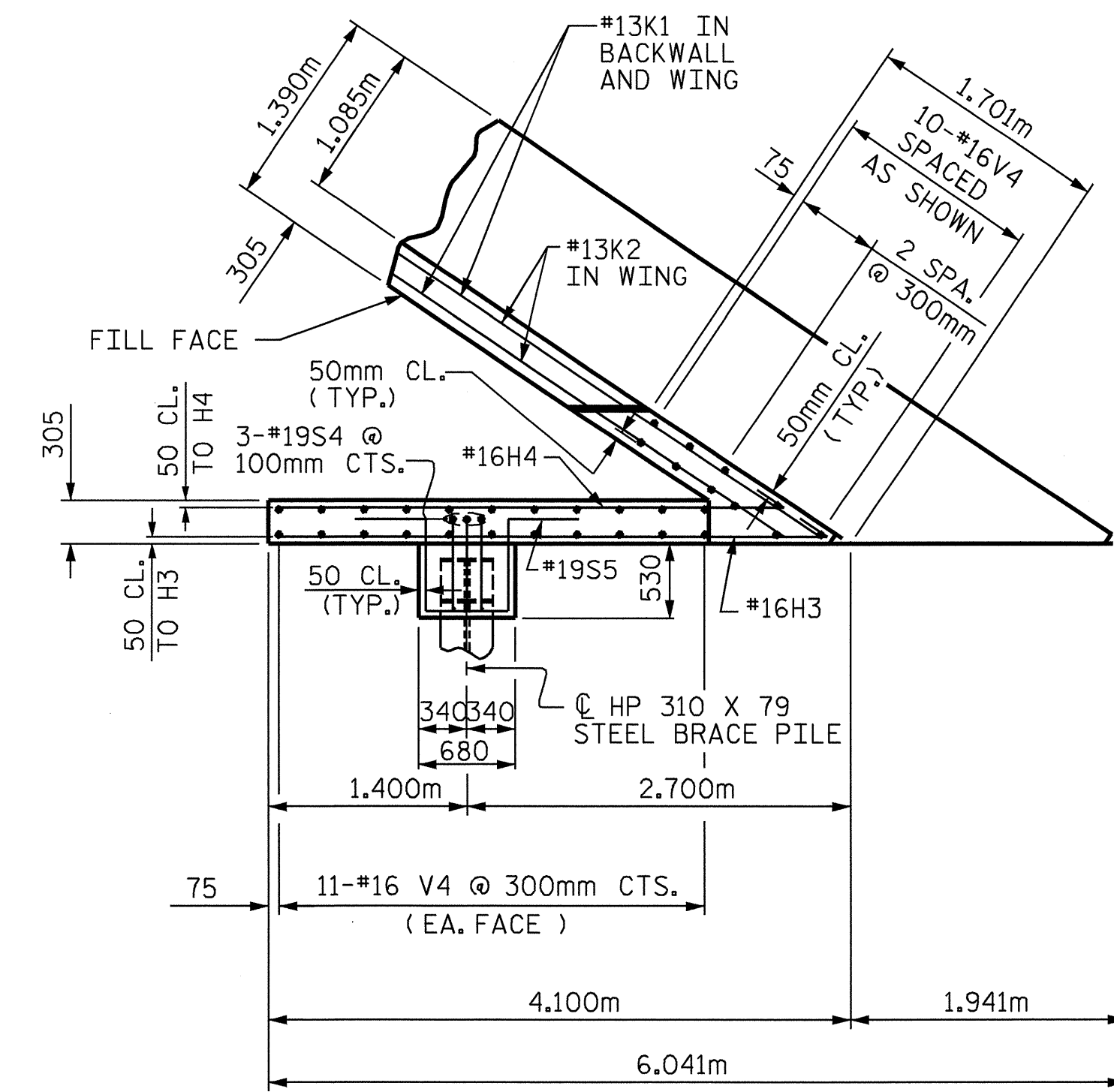


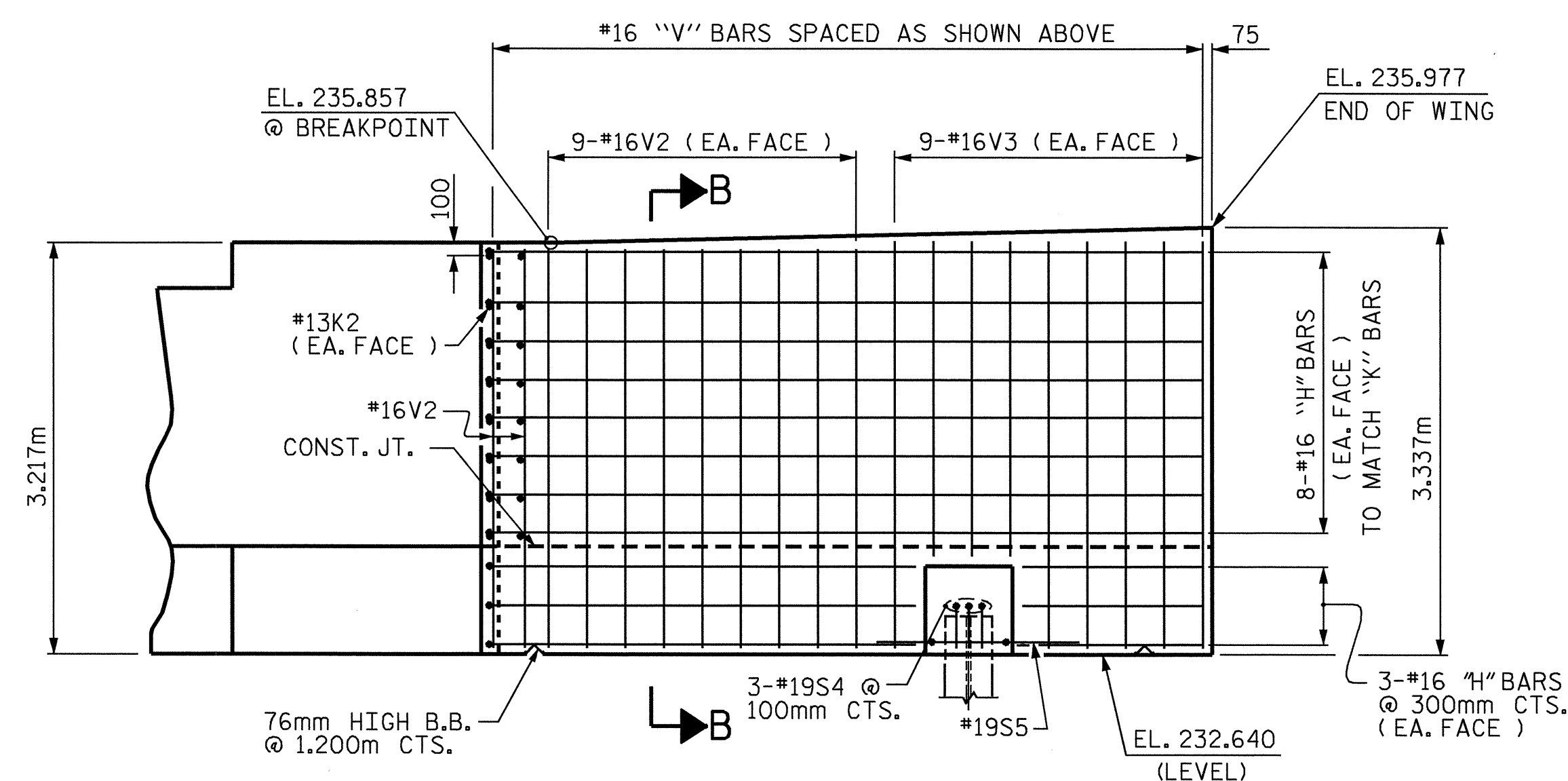
PLAN OF LEFT WING - W1



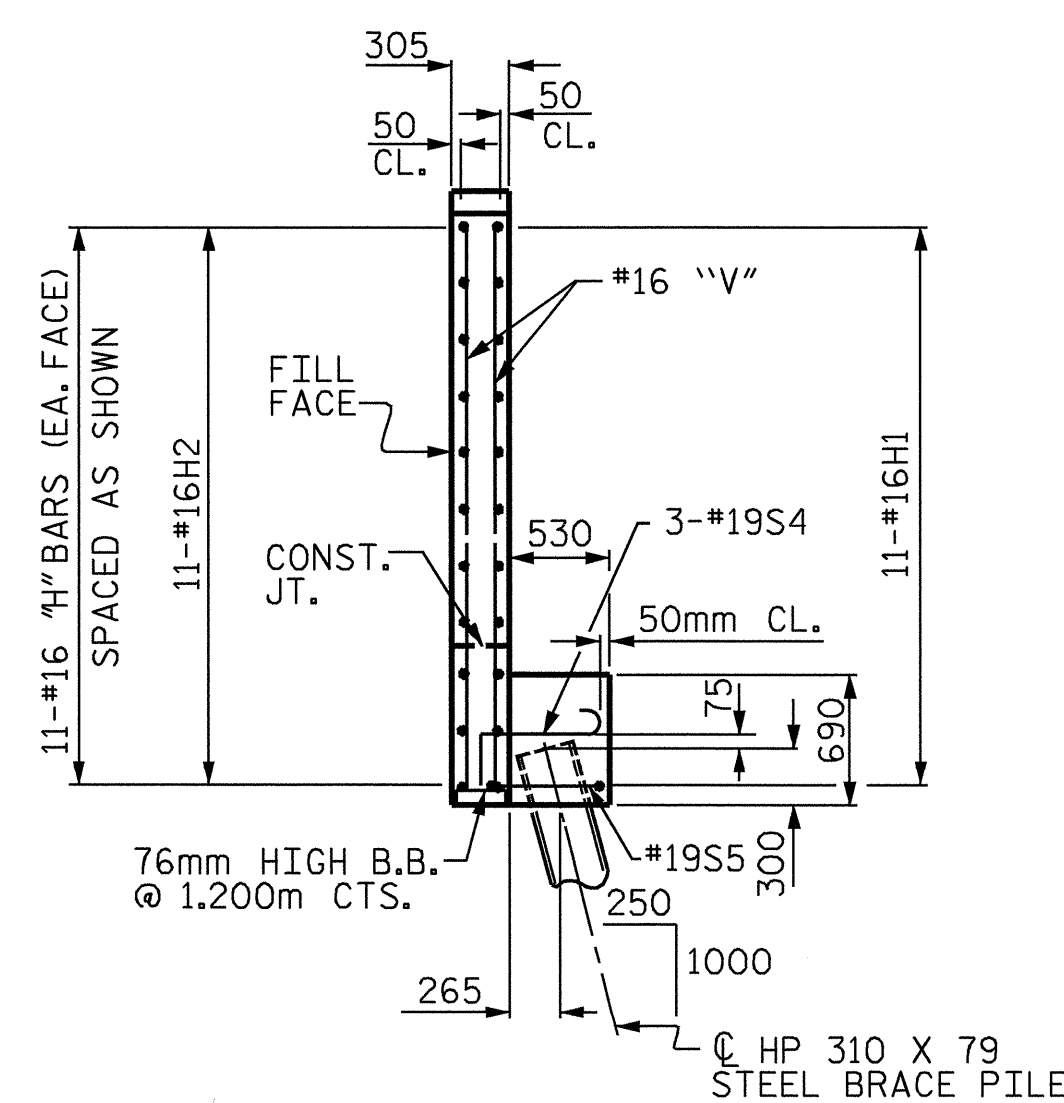
SECTION C-C



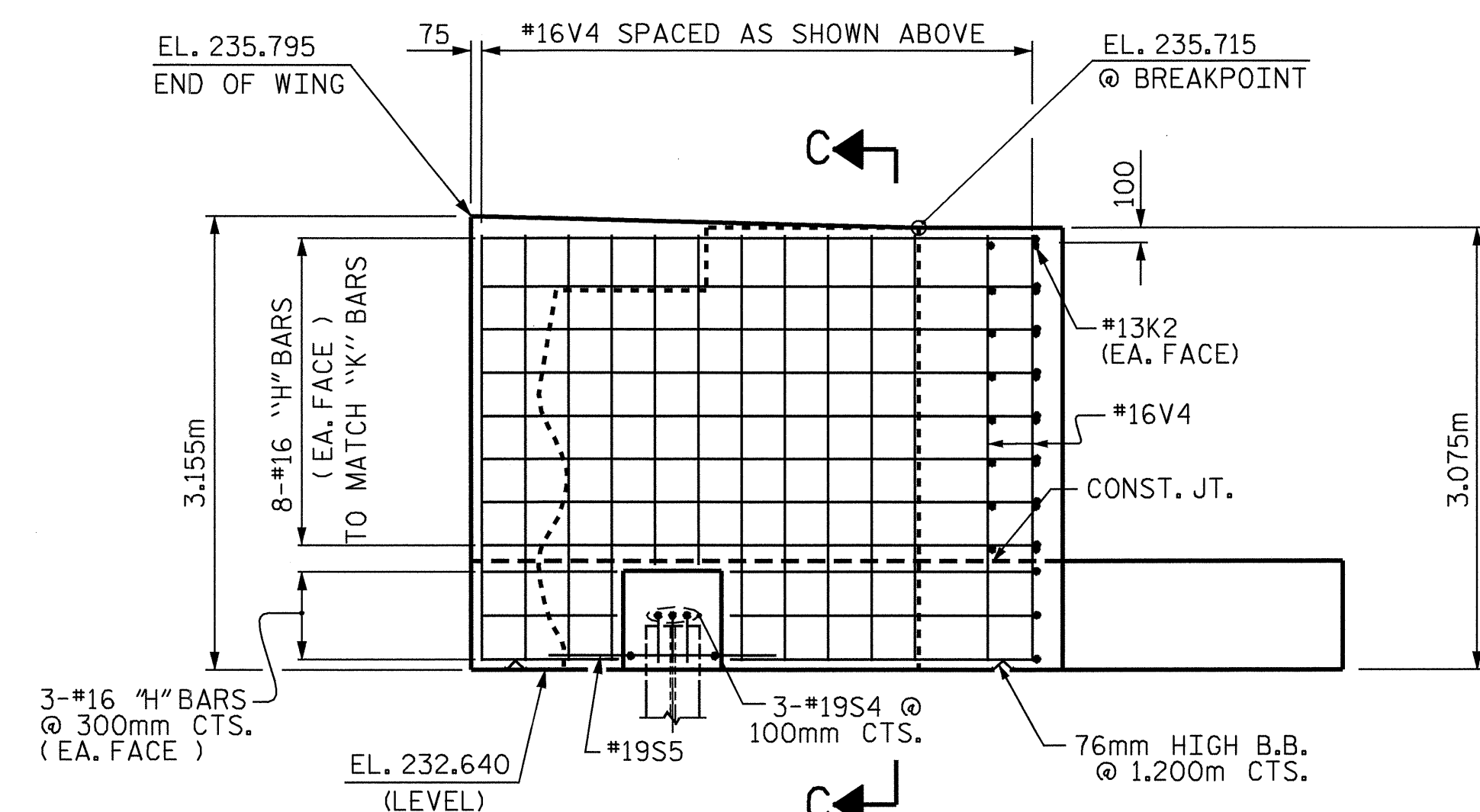
PLAN OF RIGHT WING - W2



ELEVATION OF LEFT WING - W1



SECTION B-B



ELEVATION OF RIGHT WING - W2

PROJECT NO. R-2206B
 LINCOLN COUNTY
 STATION: 123+38.105 -L-

SHEET 2 OF 3

STATE OF NORTH CAROLINA
 DEPARTMENT OF TRANSPORTATION
 RALEIGH

SUBSTRUCTURE
 END BENT 1
 (LEFT LANE)



DRAWN BY: E. G. ALLEN DATE: 3-5-01
 CHECKED BY: H. A. LOCKLEAR DATE: 3-23-01

20-AUG-2004 15:51
 W:\squad1\2206b\Final Plans\str1\2206b01eb1.dgn
 Klayne

REVISIONS					SHEET NO.
NO.	BY:	DATE:	NO.	BY:	DATE:
1			3		
2			4		

TOTAL SHEETS: 86

STR. #1