

BRIDGE @ STA. 123+38.105-L- (LEFT)	100 mm SLOPE PROTECTION	WELDED WIRE FABRIC 1520mm WIDE
	SQUARE METERS	APPROX. METERS
END BENT 1	325	285.2

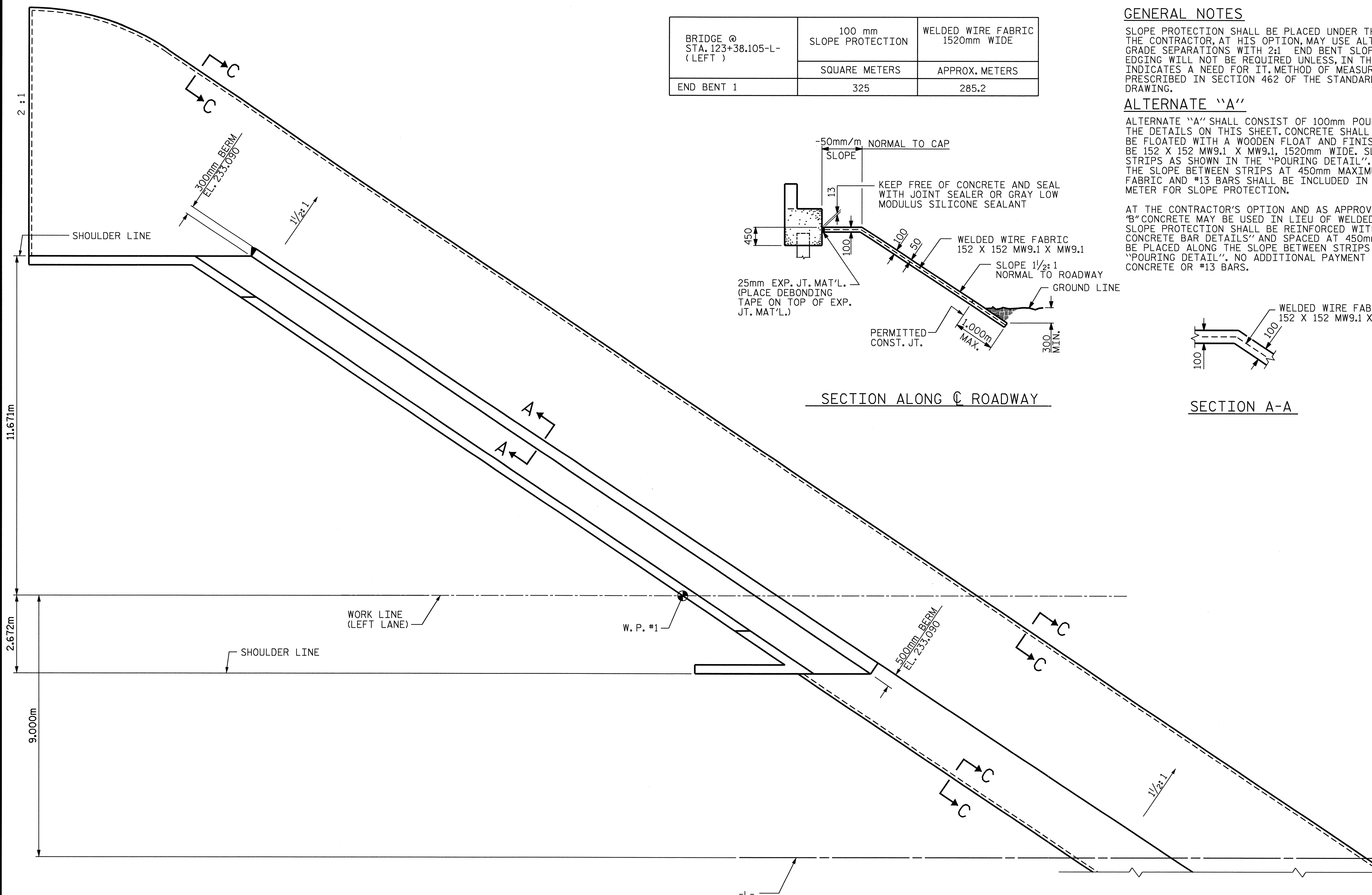
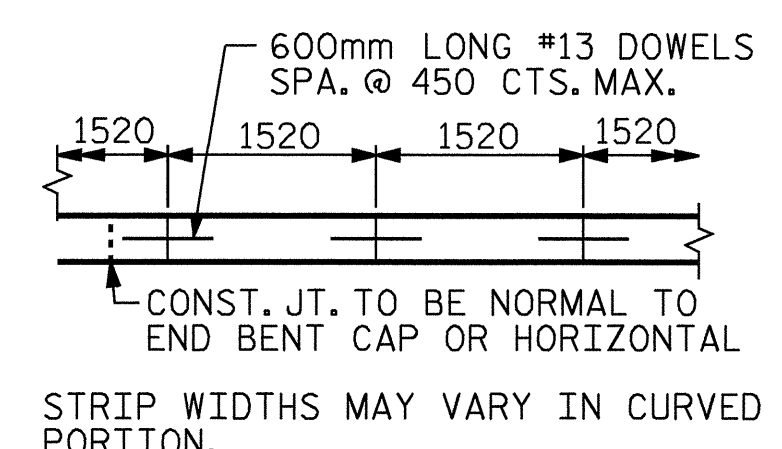
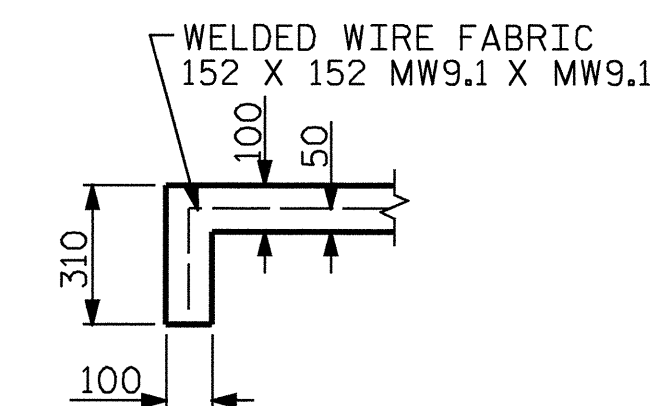
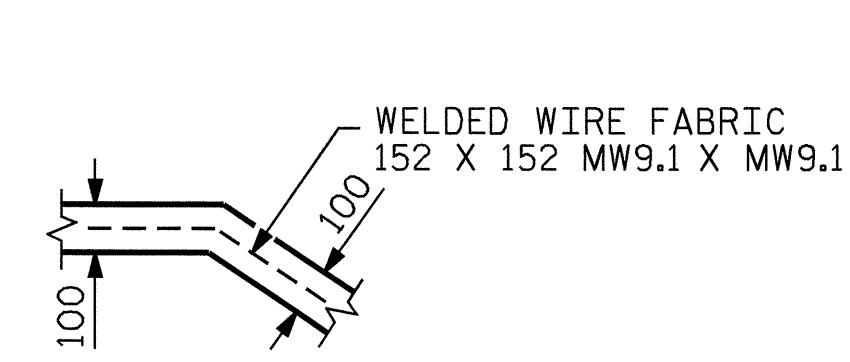
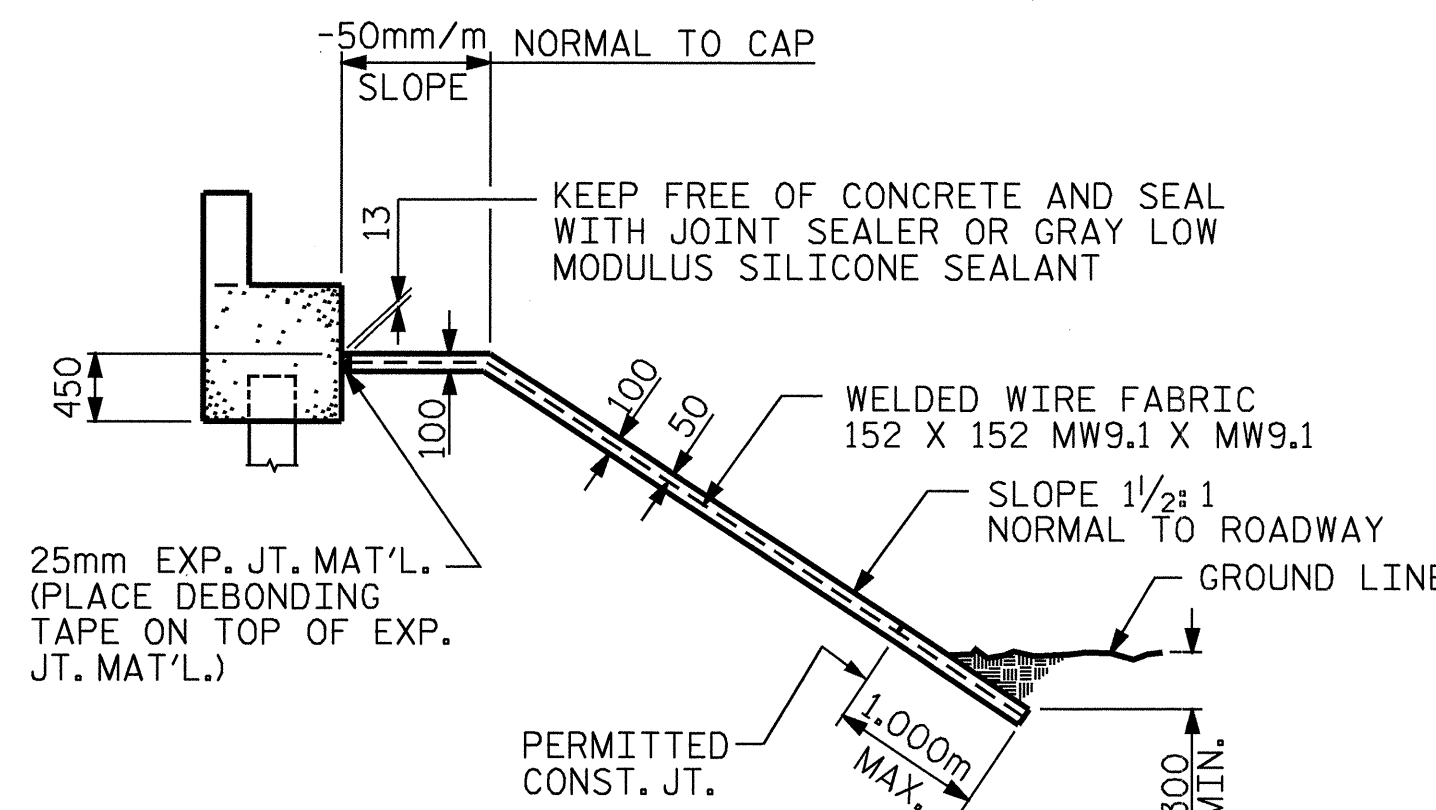
GENERAL NOTES

SLOPE PROTECTION SHALL BE PLACED UNDER THE ENDS OF THE BRIDGE AS SHOWN IN THE DETAILS. THE CONTRACTOR, AT HIS OPTION, MAY USE ALTERNATE "B" ONLY FOR HIGHWAY OVER HIGHWAY GRADE SEPARATIONS WITH 2:1 END BENT SLOPE IN RURAL, UNPOPULATED AREAS. STRAIGHT EDGING WILL NOT BE REQUIRED UNLESS, IN THE OPINION OF THE ENGINEER, VISUAL INSPECTION INDICATES A NEED FOR IT. METHOD OF MEASUREMENT AND BASIS OF PAYMENT SHALL BE AS PRESCRIBED IN SECTION 462 OF THE STANDARD SPECIFICATIONS. FOR BERM WIDTH, SEE GENERAL DRAWING.

ALTERNATE "A"

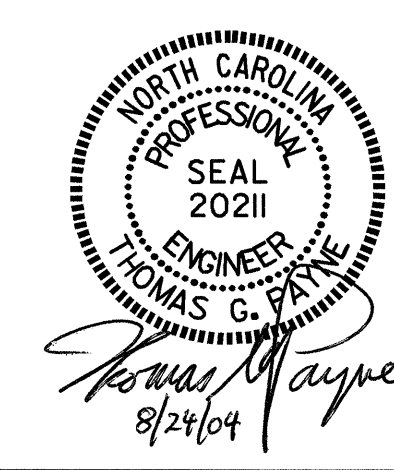
ALTERNATE "A" SHALL CONSIST OF 100mm POURED-IN-PLACE CONCRETE PAVING AS SHOWN IN THE DETAILS ON THIS SHEET. CONCRETE SHALL BE CLASS "B". THE CONCRETE SURFACE SHALL BE FLOATED WITH A WOODEN FLOAT AND FINISHED. WELDED WIRE FABRIC REINFORCING SHALL BE 152 X 152 MW9.1 X MW9.1, 1520mm WIDE. SLOPE PROTECTION SHALL BE POURED IN 1520mm STRIPS AS SHOWN IN THE "POURING DETAIL". 600mm LONG #13 BARS SHALL BE PLACED ALONG THE SLOPE BETWEEN STRIPS AT 450mm MAXIMUM SPACING. THE COST OF THE WELDED WIRE FABRIC AND #13 BARS SHALL BE INCLUDED IN THE CONTRACT UNIT PRICE BID PER SQUARE METER FOR SLOPE PROTECTION.

AT THE CONTRACTOR'S OPTION AND AS APPROVED BY THE ENGINEER, FIBER REINFORCED CLASS "B" CONCRETE MAY BE USED IN LIEU OF WELDED WIRE FABRIC. THE CORNERS OF THE CONCRETE SLOPE PROTECTION SHALL BE REINFORCED WITH #13 BARS, AS SHOWN IN THE "FIBER REINFORCED CONCRETE BAR DETAILS" AND SPACED AT 450mm MAXIMUM. 600mm LONG #13 BARS SHALL ALSO BE PLACED ALONG THE SLOPE BETWEEN STRIPS AT 450mm MAXIMUM SPACING AS SHOWN IN THE "POURING DETAIL". NO ADDITIONAL PAYMENT WILL BE MADE FOR THE FIBER REINFORCED CONCRETE OR #13 BARS.



PLAN OF SLOPE PROTECTION

PROJECT NO. R-2206B
LINCOLN COUNTY
STATION: 123+38.105-L-



STATE OF NORTH CAROLINA
DEPARTMENT OF TRANSPORTATION
RALEIGH

**SLOPE PROTECTION
(LEFT LANE)**

REVISIONS						SHEET NO.
NO.	BY:	DATE:	NO.	BY:	DATE:	S-39
1			3			TOTAL SHEETS
2			4			86

DRAWN BY : W.R. BRILEY DATE : 5-18-01
CHECKED BY : S.A. DENNEY DATE : 5-21-01