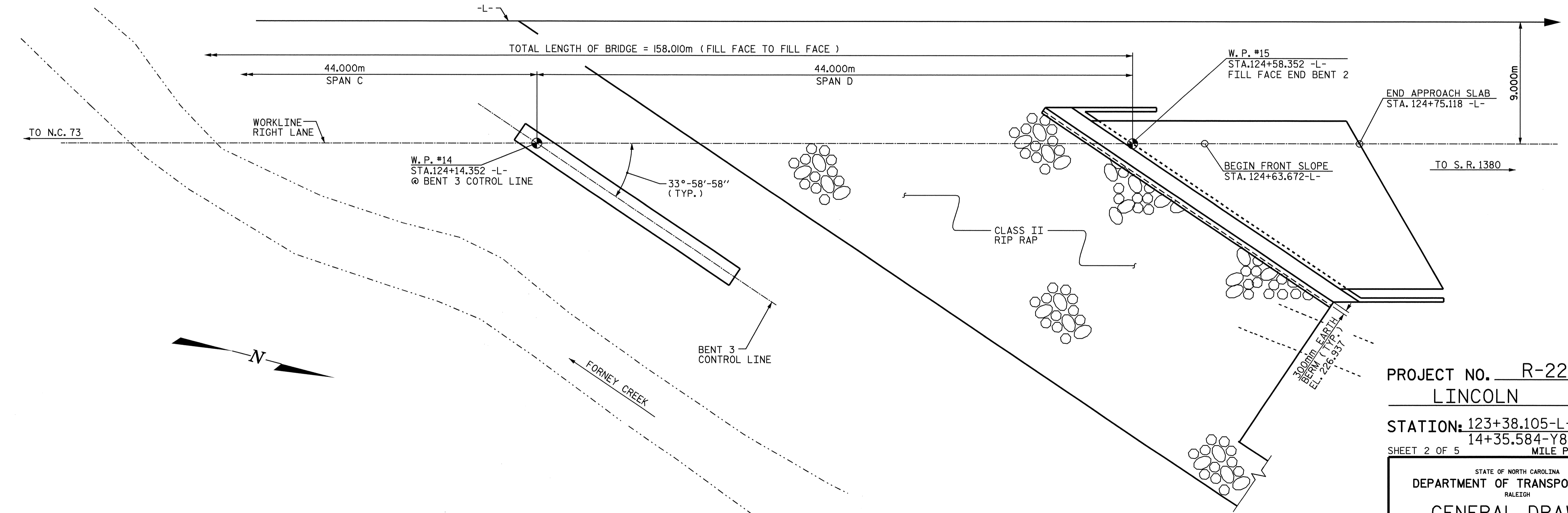


**SECTION ALONG WORKLINE RIGHT LANE**  
SECTION @ BENTS AND END BENTS TAKEN @ RIGHT ANGLES



**PLAN OF RIGHT LANE**  
(PILES NOT SHOWN FOR CLARITY)

PROJECT NO. R-2206B  
LINCOLN COUNTY  
STATION: 123+38.105-L-  
14+35.584-Y8-  
SHEET 2 OF 5 MILE POST NO. 13.87

STATE OF NORTH CAROLINA  
DEPARTMENT OF TRANSPORTATION  
RALEIGH  
**GENERAL DRAWING**  
FOR BRIDGE ON  
NC 16 BYPASS NORTHBOUND  
OVER CSX RAILROAD  
& FORNEY CREEK  
BETWEEN NC 73 & SR 1380  
(RIGHT LANE)



REVISIONS						SHEET NO.
NO.	BY:	DATE:	NO.	BY:	DATE:	S-45
1			3			TOTAL SHEETS
2			4			86

DRAWN BY : W.R. BRILEY DATE : 4-3-01  
CHECKED BY : E.G. ALLEN DATE : 6-11-01

17-SEP-2004 08:16  
W:\squad1\r2206b\Final Plans\str2\r2206b02gd.dgn  
tpayne