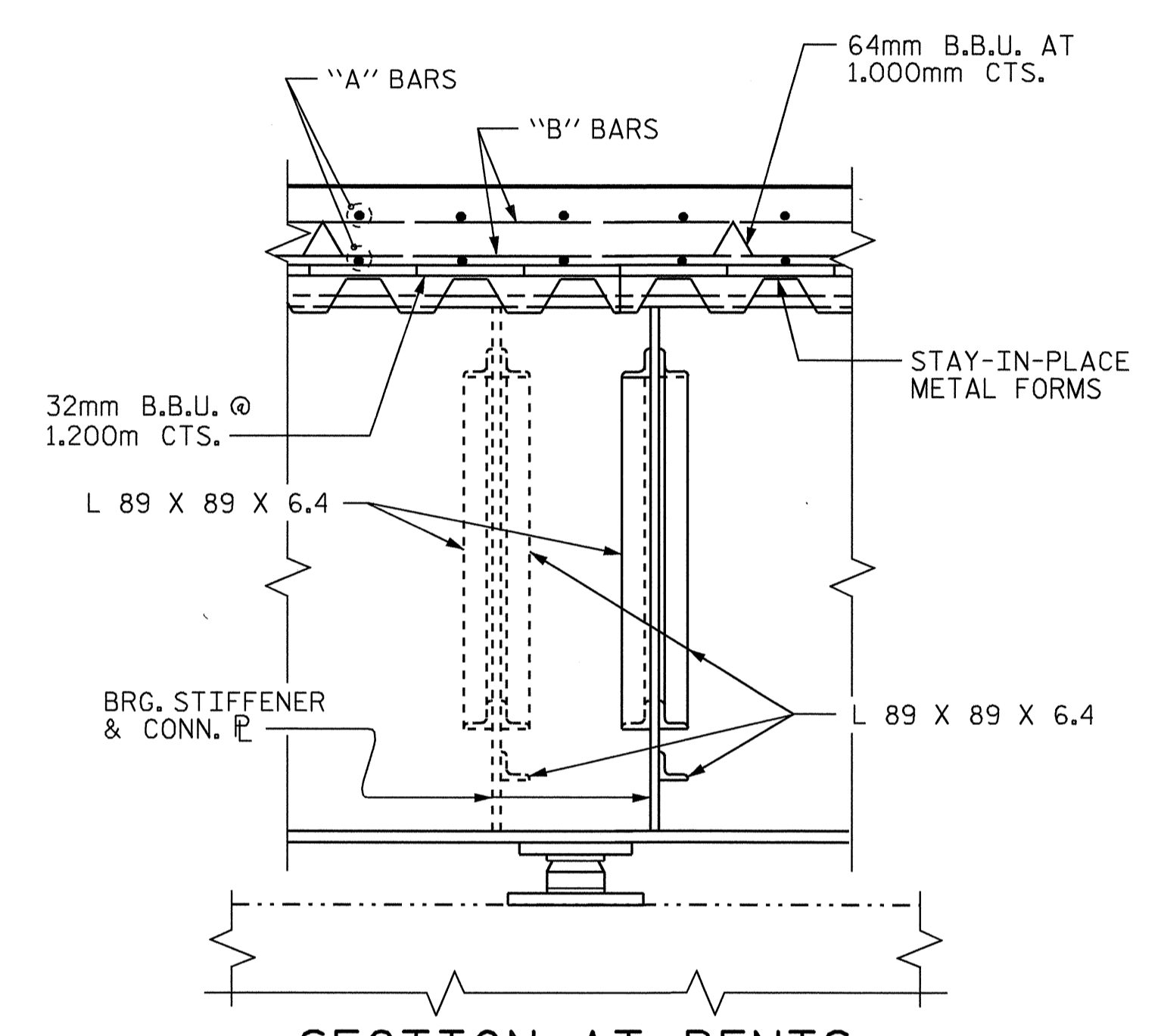


**SECTION A-A**  
(AT END BENTS)

\* #16 "G" BAR MAY BE SHIFTED SLIGHTLY AS NECESSARY TO CLEAR REINFORCING STEEL AND STIRRUPS.



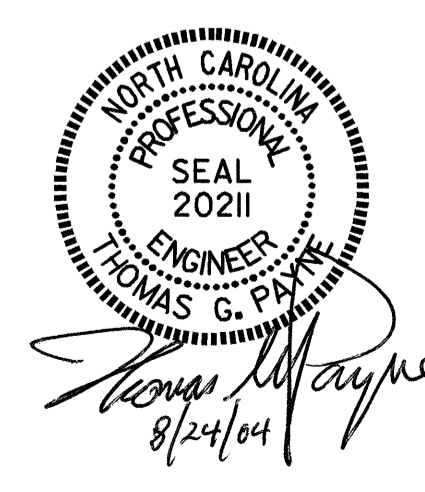
**SECTION AT BENTS**  
(SECTION NORMAL TO GIRDER)

PROJECT NO. R-2206B  
LINCOLN COUNTY  
STATION: 123+38.105 -L-

SHEET 2 OF 2

STATE OF NORTH CAROLINA  
DEPARTMENT OF TRANSPORTATION  
RALEIGH

== SUPERSTRUCTURE ==  
**TYPICAL SECTIONS**  
(RIGHT LANE)



DRAWN BY : M. J. OSTRISHKO DATE : 4-2-01  
CHECKED BY : E. G. ALLEN DATE : 4-20-01

20-AUG-2004 16:01  
W:\squad1\2206b\Final Plans\str2\2206b02ts.dgn  
klayne

| REVISIONS |     |       |     |     |       | SHEET NO.    |
|-----------|-----|-------|-----|-----|-------|--------------|
| NO.       | BY: | DATE: | NO. | BY: | DATE: | S-50         |
| 1         |     |       | 3   |     |       | TOTAL SHEETS |
| 2         |     |       | 4   |     |       | 86           |

STR. #2