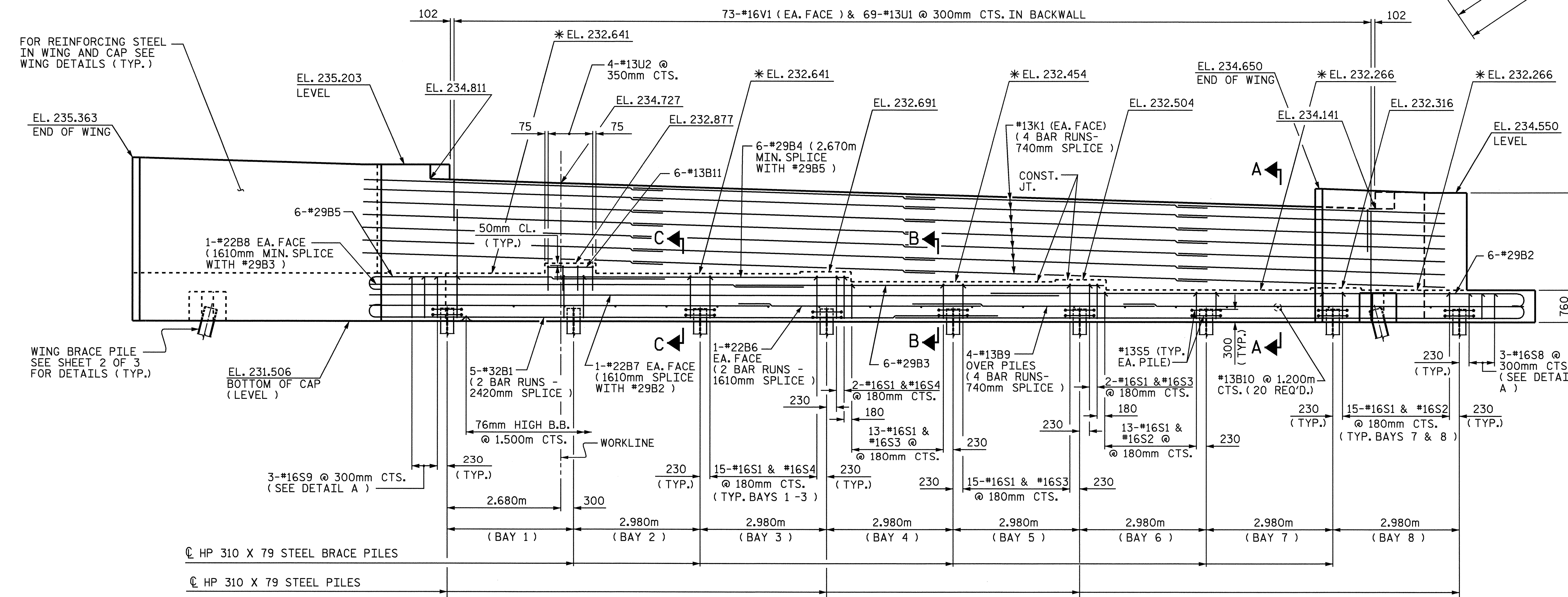
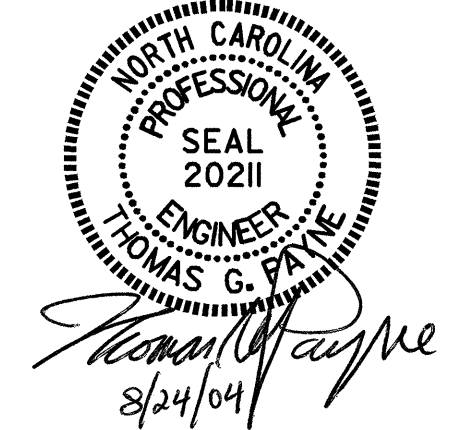
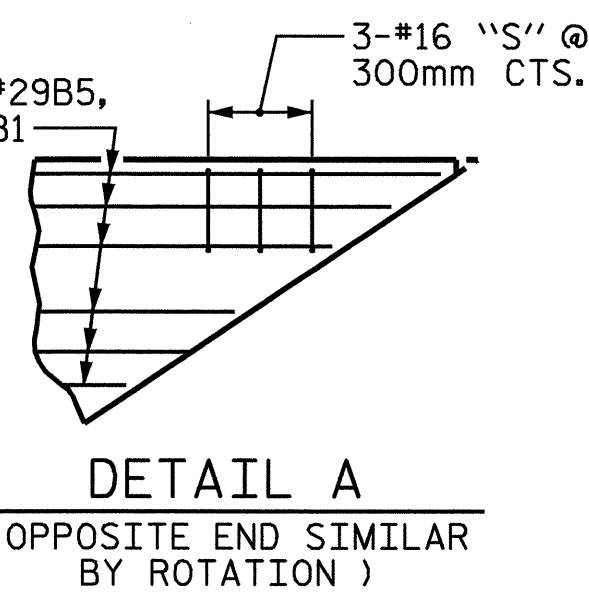


PLAN

CHAMFER DETAIL



ELEVATION



PROJECT NO. R-2206B  
 LINCOLN COUNTY  
 STATION: 123+38.105 -L-

SHEET 1 OF 3  
 STATE OF NORTH CAROLINA  
 DEPARTMENT OF TRANSPORTATION  
 RALEIGH  
 SUBSTRUCTURE  
 END BENT 1  
 (RIGHT LANE)

\*FOR LOCATIONS OF ELEVATIONS BETWEEN BRIDGE SEAT BUILDUPS, SEE "SECTION A-A", "SECTION B-B" & "SECTION C-C".

DRAWN BY: E. G. ALLEN DATE: 3-14-01  
 CHECKED BY: H. A. LOCKLEAR DATE: 3-26-01

23-AUG-2004 11:05  
 W:\squad1\2206b\Final Plans\str2\2206b02eb1.dgn  
 tpayne

REVISIONS						SHEET NO.
NO.	BY:	DATE:	NO.	BY:	DATE:	S-70
1			3			TOTAL SHEETS
2			4			86

STR. #2