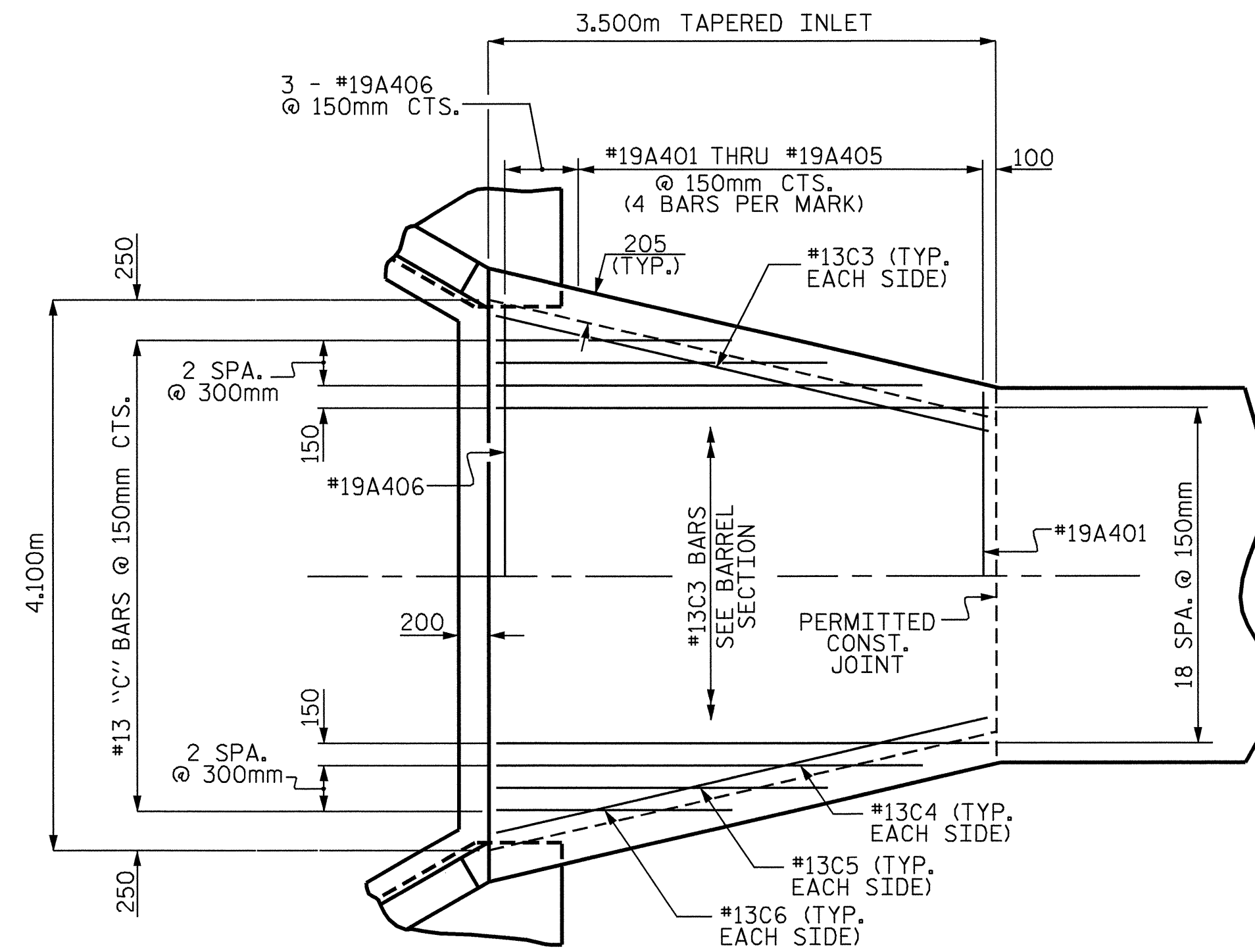
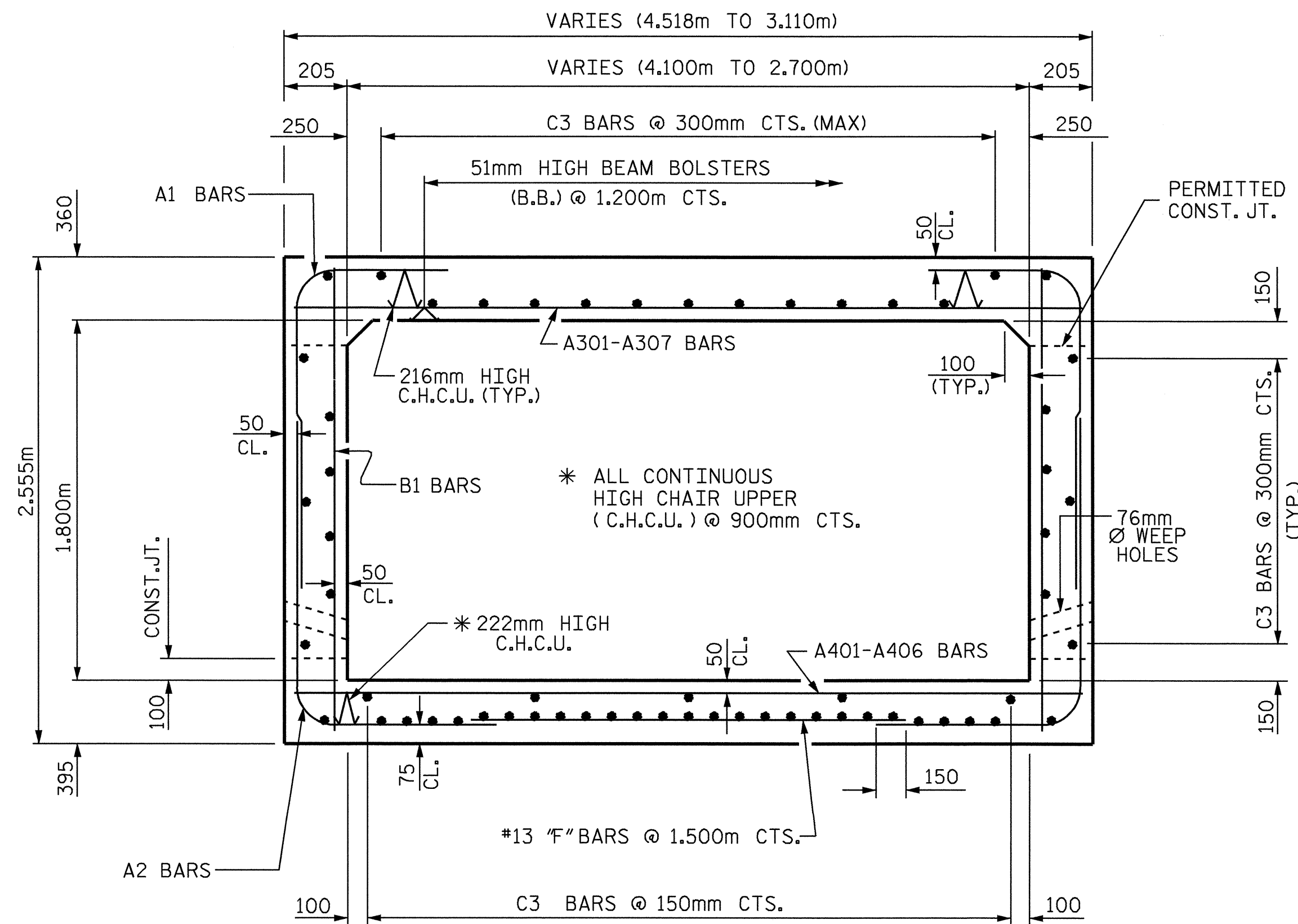


PLAN OF ROOF SLAB - TAPERED INLET

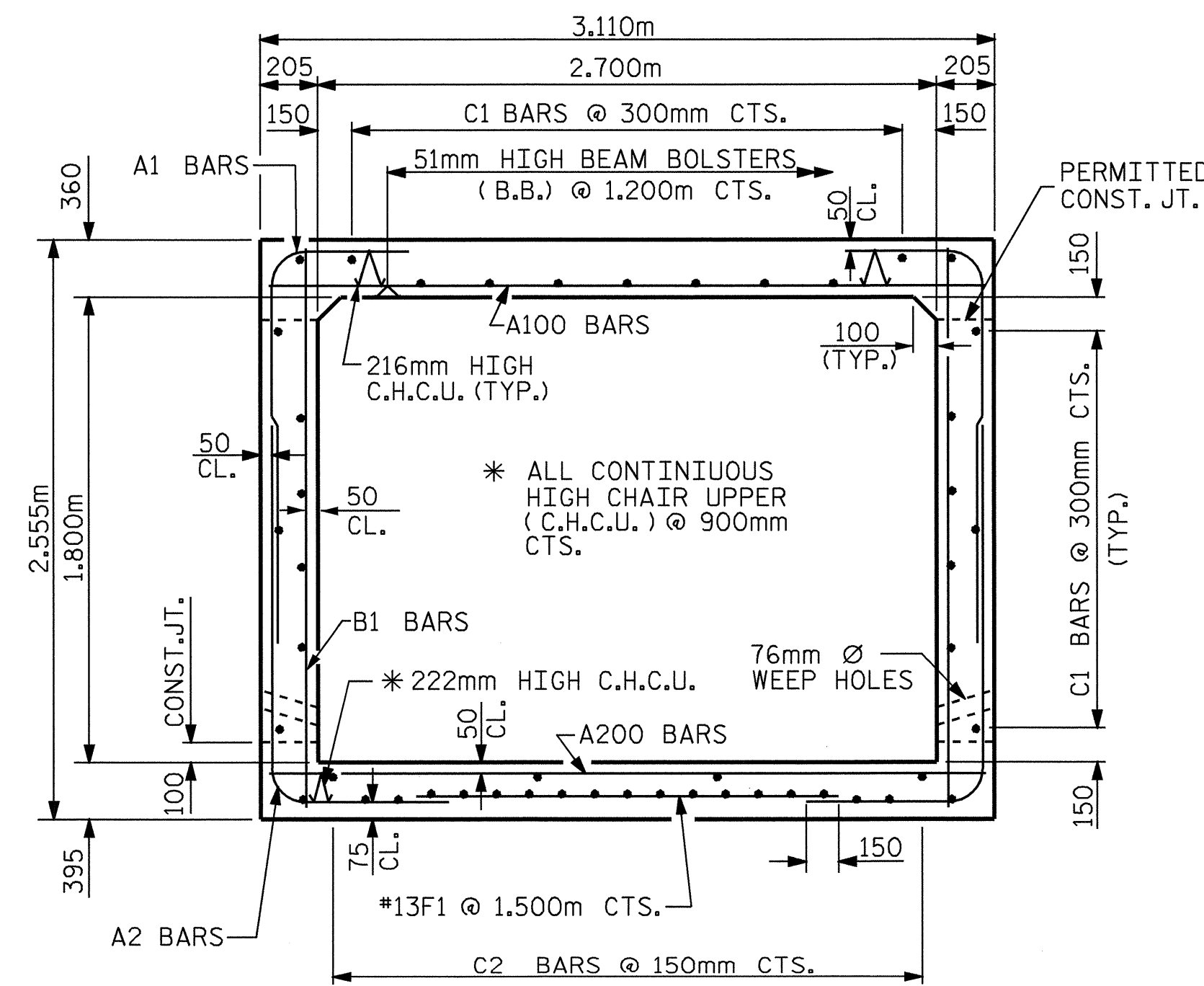


PLAN OF FLOOR SLAB - TAPERED INLET



RIGHT ANGLE SECTION OF TAPERED INLET

THERE ARE 61 "C" BARS IN SECTION OF BARREL



RIGHT ANGLE SECTION OF BARREL

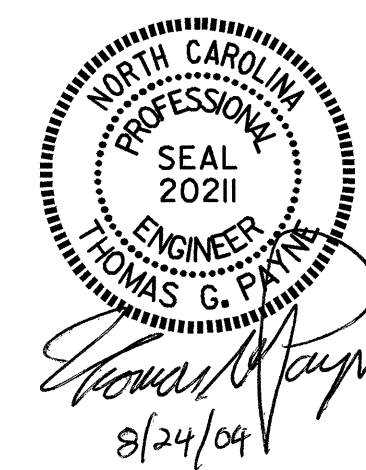
THERE ARE 48 "C" BARS IN SECTION OF BARREL

PROJECT NO. R-2206B
 LINCOLN COUNTY
 STATION: 158+95.000 -L-

SHEET 4 OF 6

STATE OF NORTH CAROLINA
 DEPARTMENT OF TRANSPORTATION
 RALEIGH

SINGLE 2.7m X 1.8m
 CONCRETE BOX CULVERT
 WITH TAPERED INLET



ASSEMBLED BY : D.B. MOORE DATE : 3/22/01
 CHECKED BY : M.J. OSTRISHKO DATE : 4/03/01
 DRAWN BY : EEM 6/97
 CHECKED BY : ARB 7/97

20-AUG-2004 16:22
 W:\squad\vr2206b\Final Plans\str345\vr2206b05ou.dgn
 klayne

REVISIONS						SHEET NO.
NO.	BY:	DATE:	NO.	BY:	DATE:	C-13
1			3			TOTAL SHEETS
2			4			15