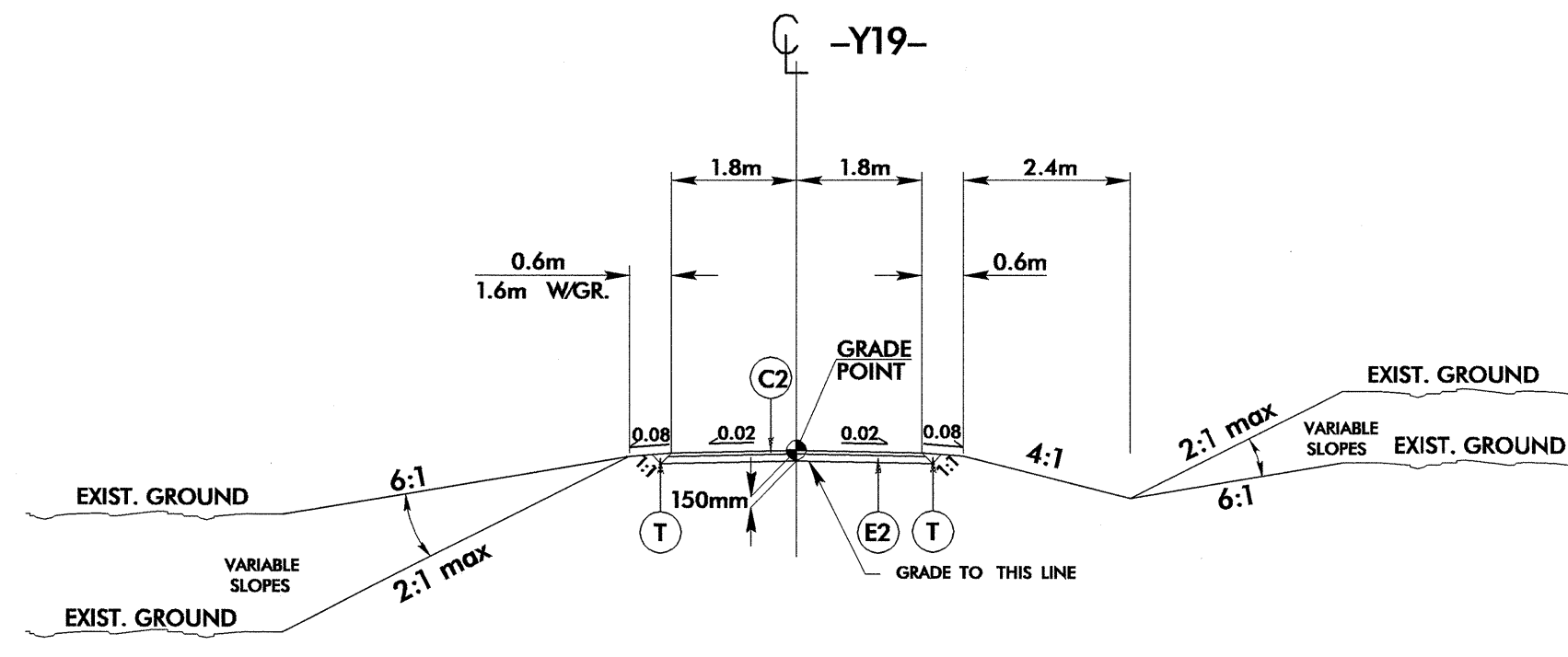


C2	50mm , TYPE S9.5B
C5	80 mm , TYPE S9.5C
D2	65mm , TYPE I19.0C
E2	100 mm , TYPE B25.0B
J1	150mm , ABC
J2	200mm , ABC
T	EARTH MATERIAL

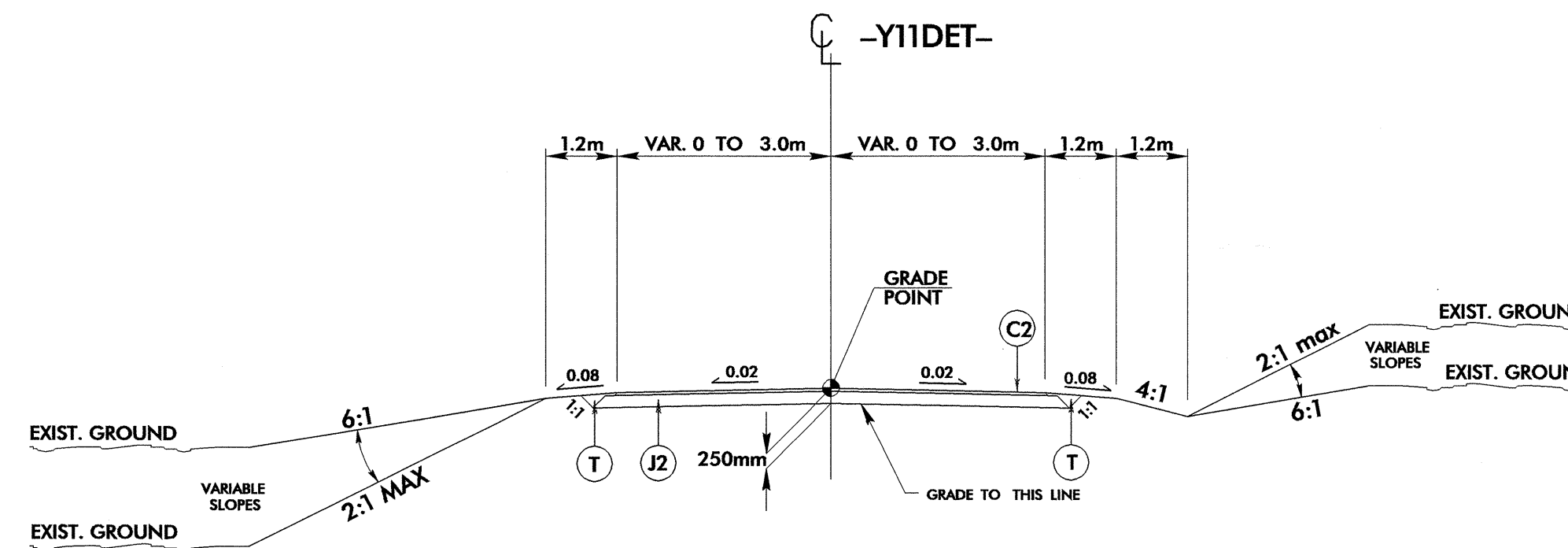


PROJECT REFERENCE NO. R-2206C	SHEET NO. 2-E
ROADWAY DESIGN ENGINEER	PAVEMENT DESIGN ENGINEER



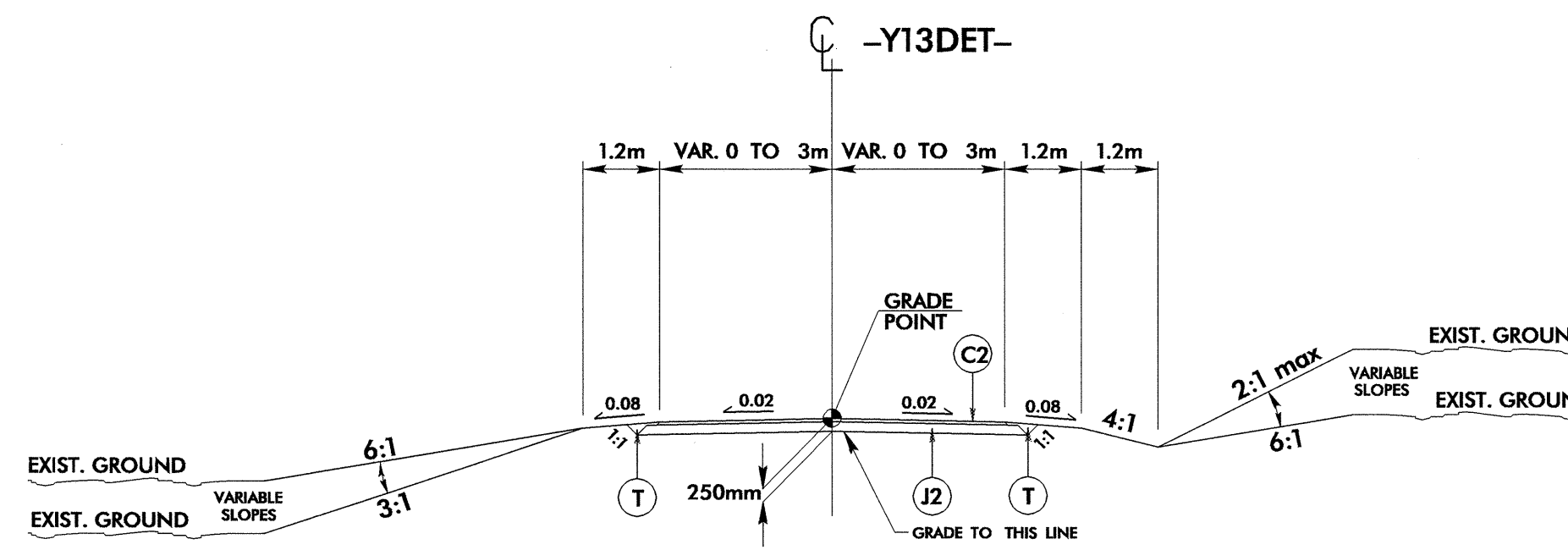
TYPICAL SECTION NO. 15

USE TYPICAL SECTION NO. 15
-Y19- STA. 10+03.316 TO -Y19- STA. 10+80.000



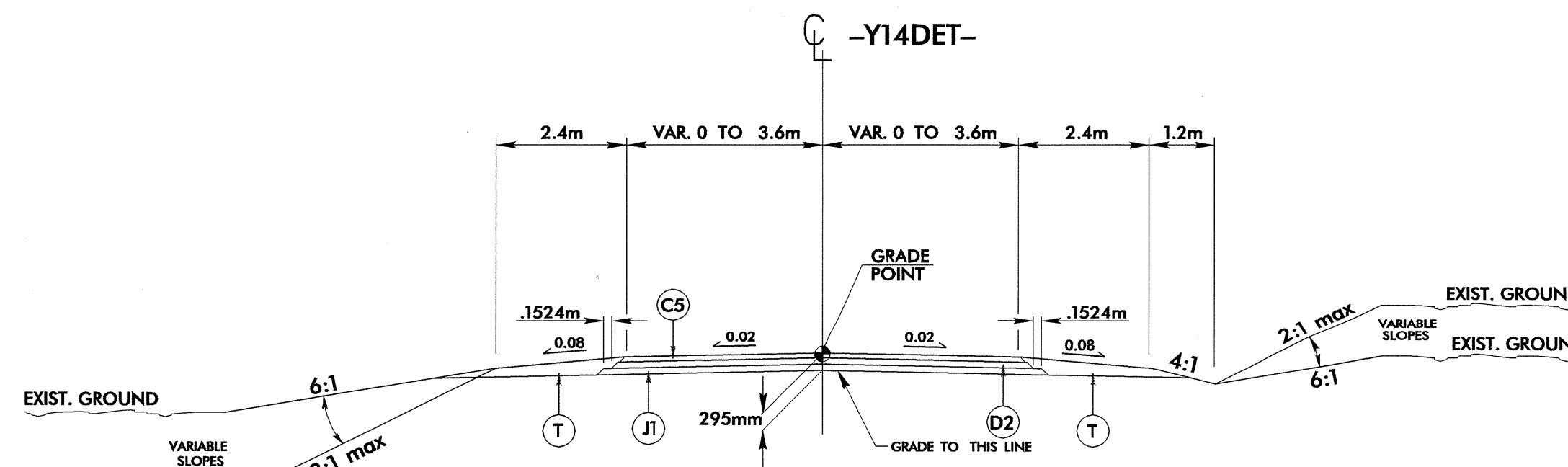
TYPICAL SECTION NO. 16

USE TYPICAL SECTION NO. 16
-Y11DET- STA. 10+30.000 TO 13+02.984



TYPICAL SECTION NO. 17

USE TYPICAL SECTION NO. 17
-Y13DET- STA. 10+28.837 TO 12+54.549



TYPICAL SECTION NO. 18

USE TYPICAL SECTION NO. 18
-Y14DET- STA. 10+24.726 TO 20+09.431