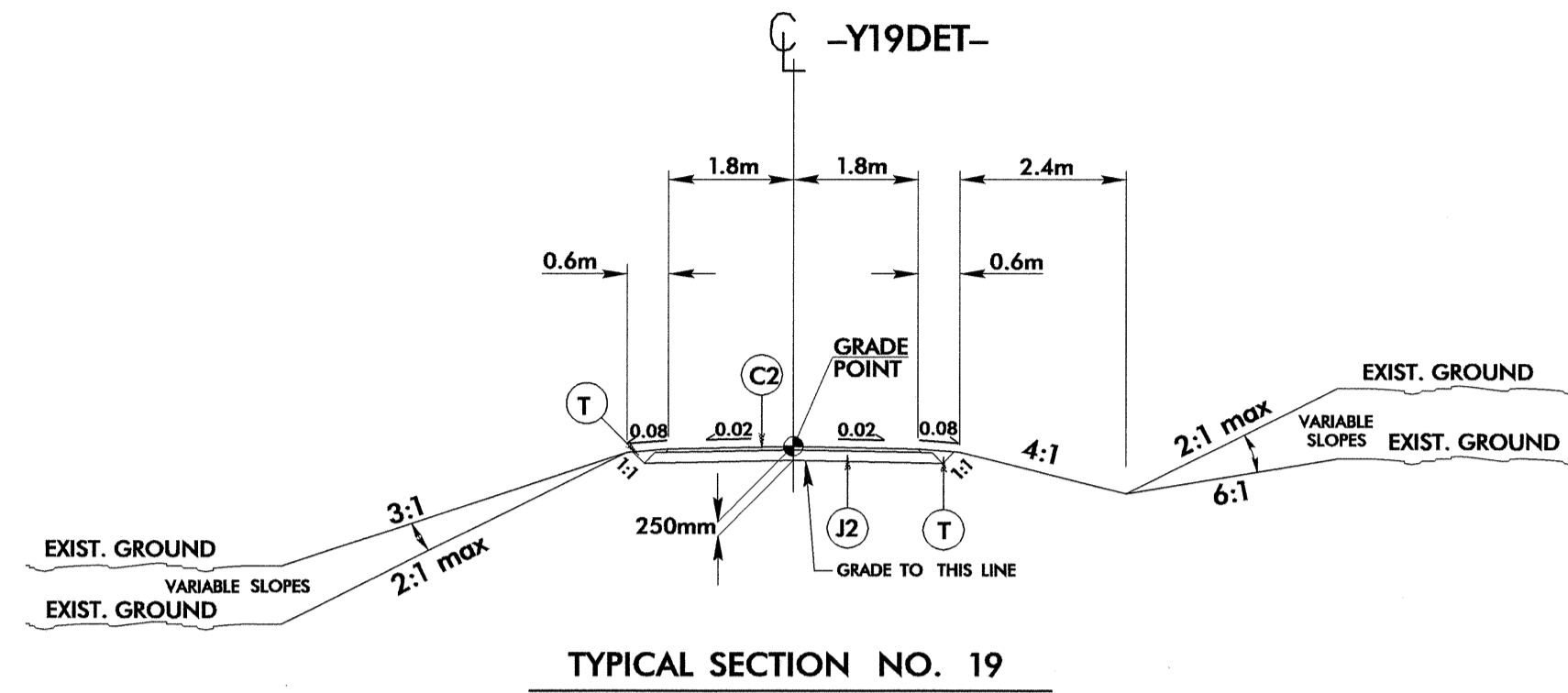


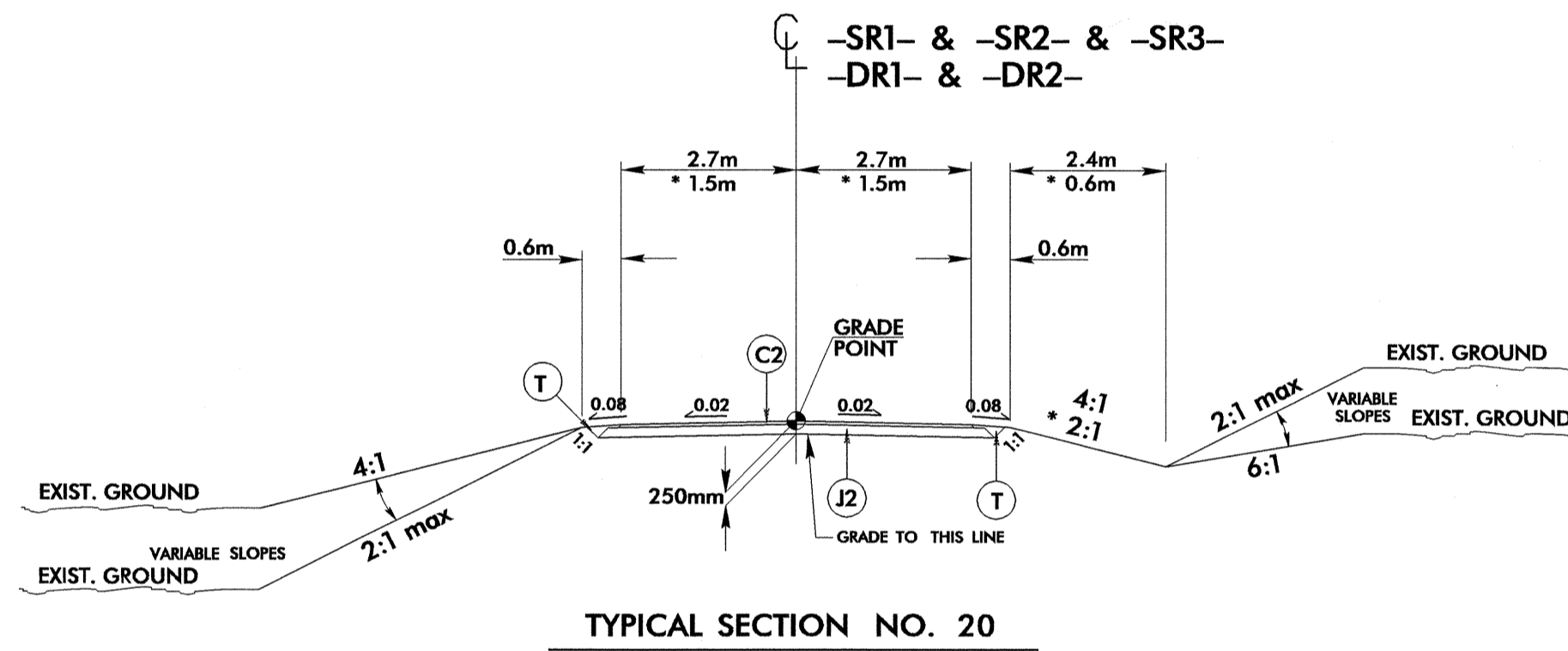


PROJECT REFERENCE NO. R-2206C	SHEET NO. 2-F
ROADWAY DESIGN ENGINEER RONALD DAVID ALLEN	PAVEMENT DESIGN ENGINEER JUN-CHI CHEN

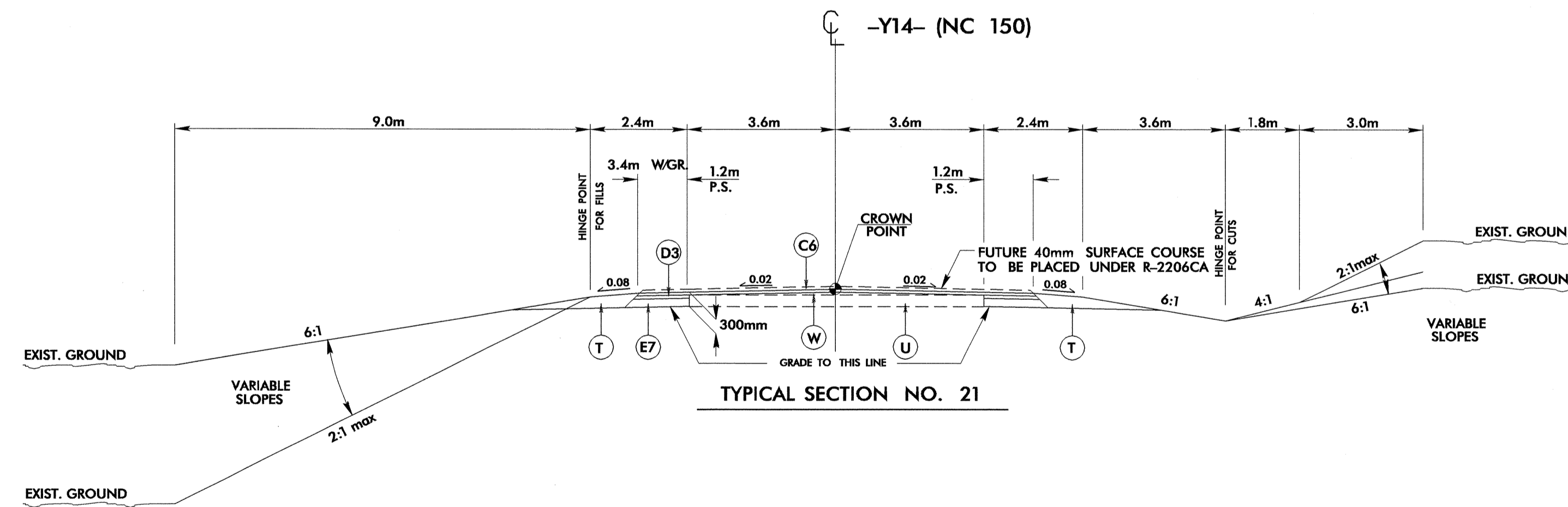
C2	50mm , TYPE S9.5B
C6	40mm , TYPE S9.5C
D3	80mm , TYPE I19.0C
E7	180mm , TYPE B25.0C
J2	200mm , ABC
T	EARTH MATERIAL
U	EXISTING PAVEMENT
W	WEDGING



USE TYPICAL SECTION NO. 19
-Y19DET- STA. 10+00.000 TO 11+40.000



USE TYPICAL SECTION NO. 20
-SR1- STA. 10+00.000 TO 12+94.013
-SR2- STA. 10+03.300 TO 11+55.000
-SR3- STA. 10+03.900 TO 10+56.393
* -DR1- STA. 10+03.600 TO 10+40.000
* -DR2- STA. 10+03.900 TO 10+42.000



USE TYPICAL SECTION NO. 21
-Y14- STA. 19+80.000 TO -Y14- STA 21+00.0000

RD195154 Friday August 27 2004 TYP2F RPSHires rd-09occe34