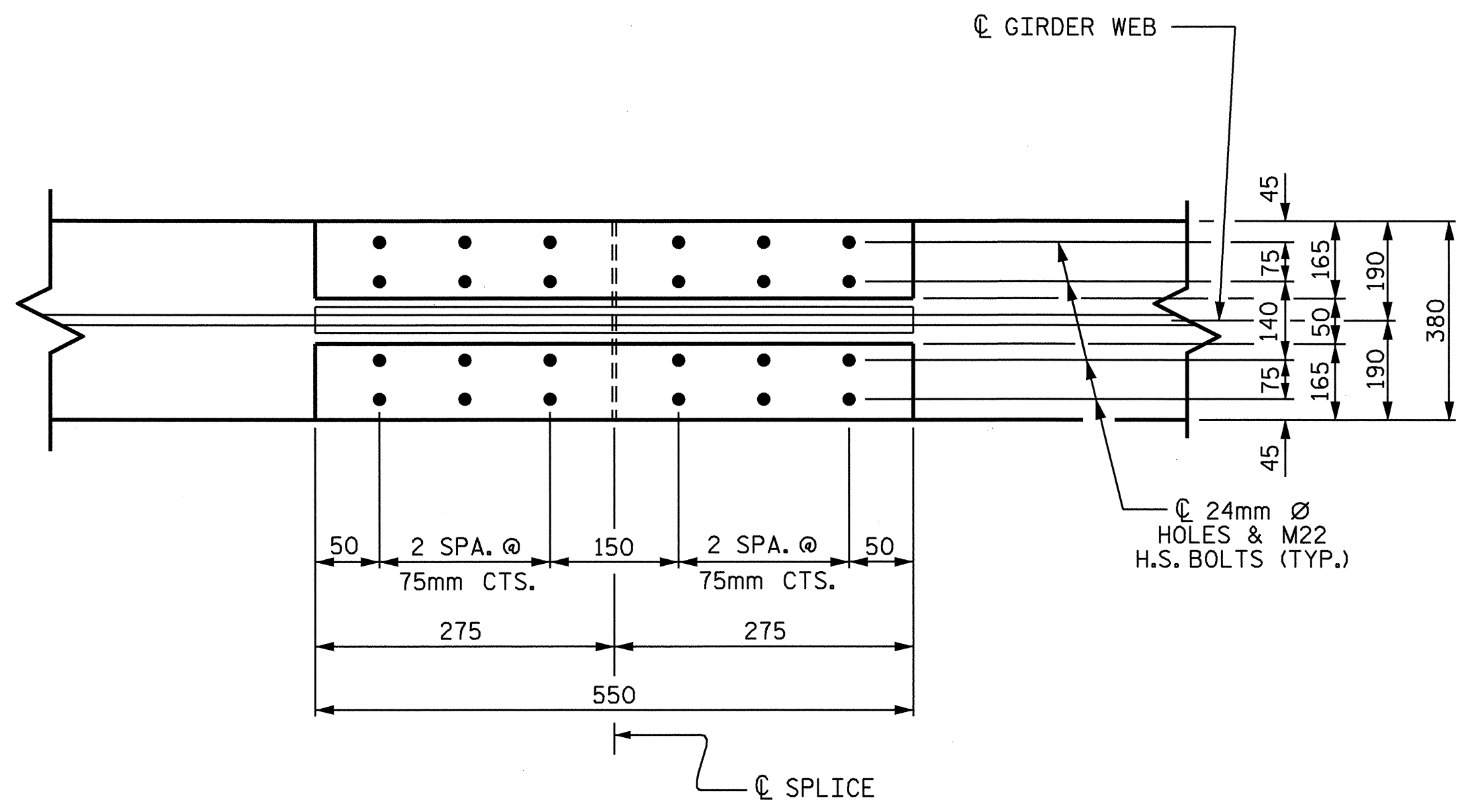
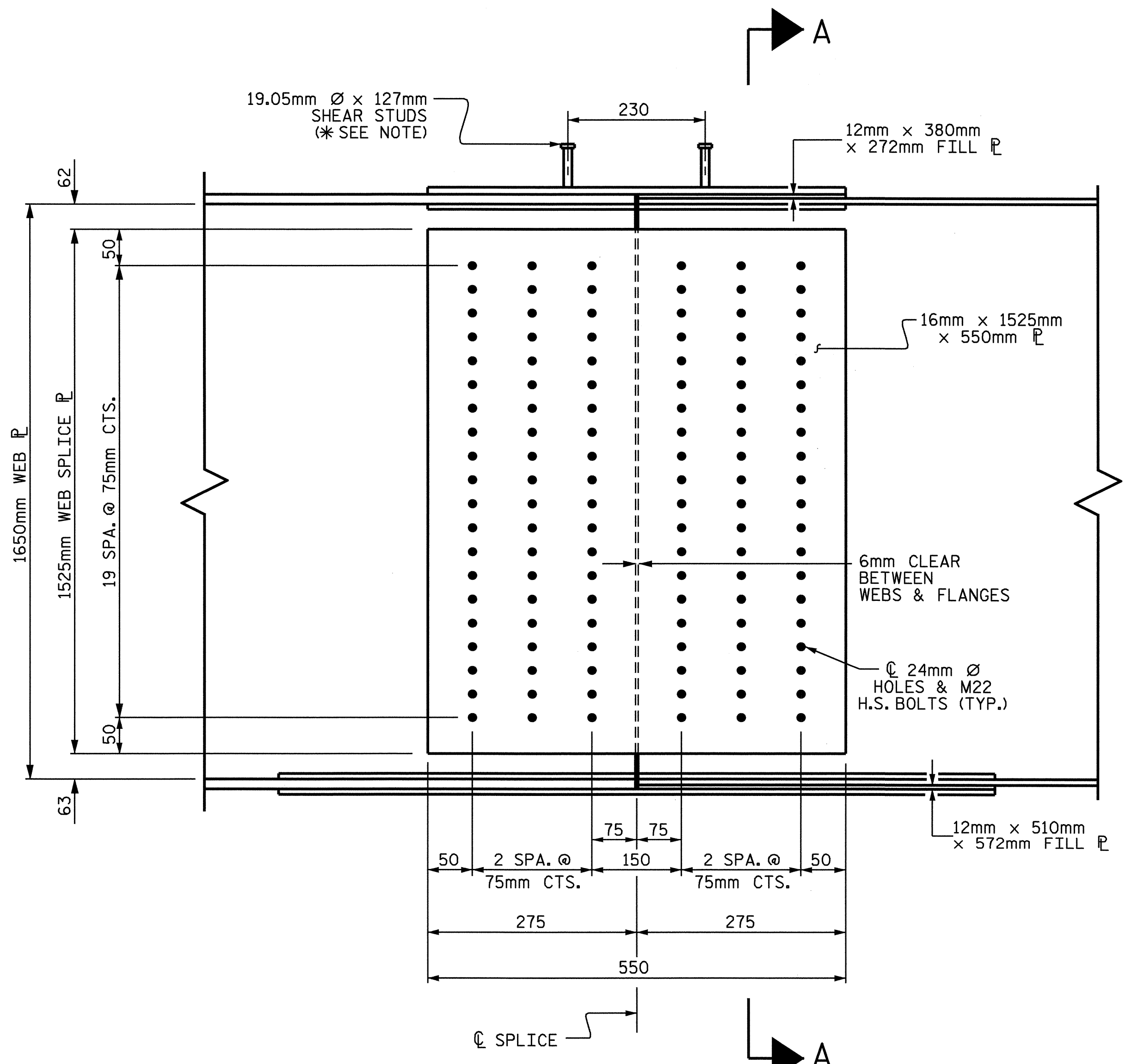


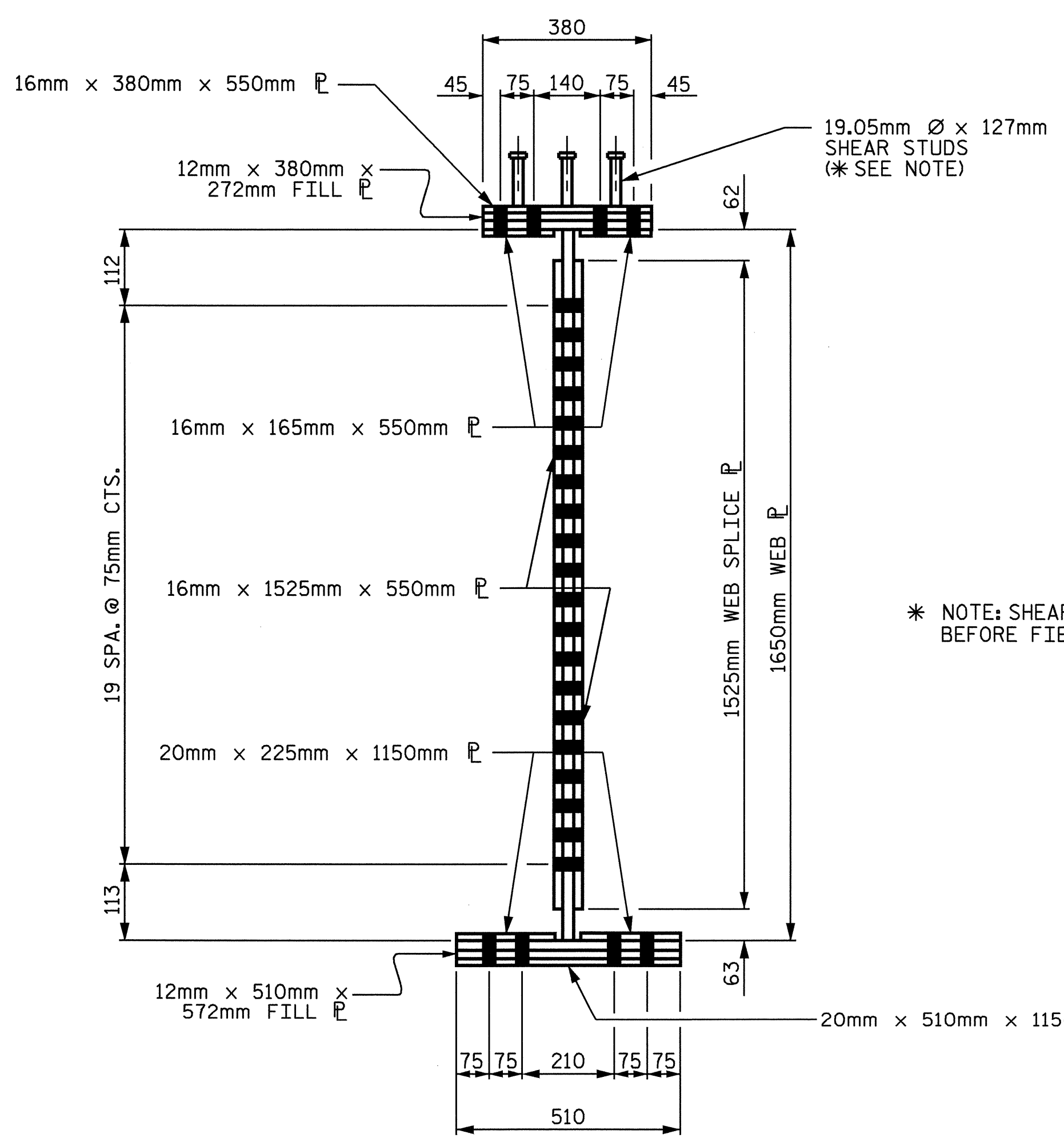
PLAN (TOP OF TOP FLANGE)



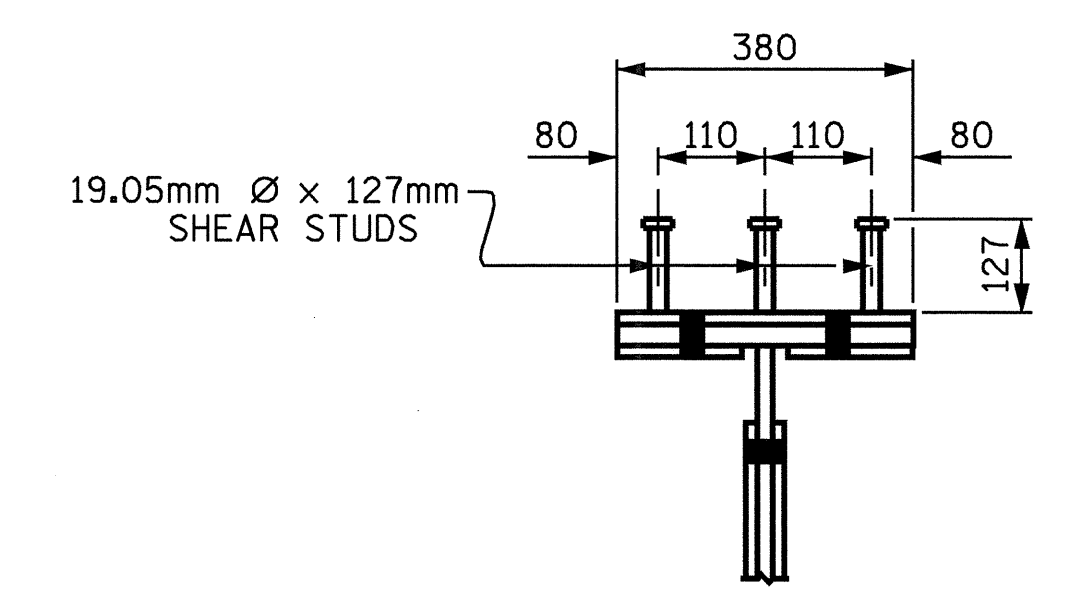
PLAN (BOTTOM OF TOP FLANGE)



ELEVATION



SECTION A-A



SHEAR STUD DETAIL FOR TOP FLANGE SPLICE PLATE

* NOTE: SHEAR STUDS ARE TO BE SHOP WELDED ON TOP OF PLATE BEFORE FIELD ASSEMBLY

PROJECT NO. R-2206C
 LINCOLN-CATAWBA COUNTY
 STATION: 237+97.199 -L-
 SHEET 3 OF 4



STATE OF NORTH CAROLINA
 DEPARTMENT OF TRANSPORTATION
 RALEIGH
 SUPERSTRUCTURE
 STRUCTURAL STEEL
 BOLTED FIELD SPLICE
 DETAILS
 LEFT LANE

REVISIONS						SHEET NO.	
NO.	BY:	DATE:	NO.	BY:	DATE:	TOTAL SHEETS	
1			3			3	29
2			4			37	4

DRAWN BY: T.L. AVERETTE DATE: 4-02-02
 CHECKED BY: M.M. PARSONS DATE: 4-03