

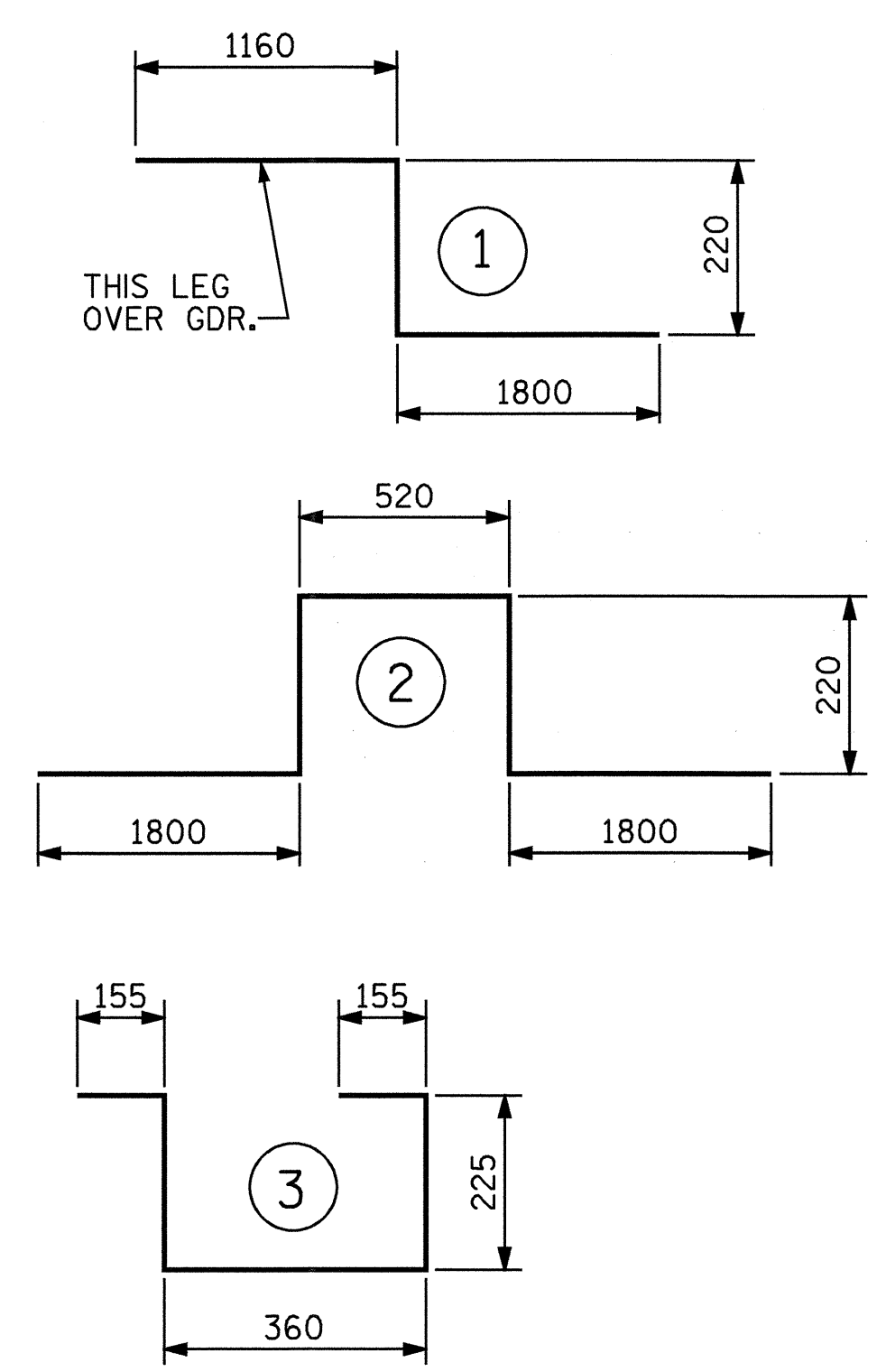
**SUPERSTRUCTURE REINFORCING STEEL LENGTHS ARE BASED ON THE FOLLOWING MINIMUM SPLICE LENGTHS**

BAR SIZE	SUPERSTRUCTURE EXCEPT APPROACH SLABS, PARAPET, AND BARRIER RAIL		APPROACH SLABS		PARAPET AND BARRIER RAIL
	EPOXY COATED	UNCOATED	EPOXY COATED	UNCOATED	
#13	610	540	610	540	840
#16	770	660	770	660	1050
#19	920	790	1190	790	1330
#22	1580	1060			
#25	2080	1390			

**REINFORCING BAR SCHEDULE**

BAR	NUM	SZ	TYP	LENGTH	WEIGHT
*A1	274	16	STR	11640	4950
A2	274	16	STR	11640	4950
*A101	2	16	STR	9440	29
*A102	2	16	STR	7220	22
*A103	2	16	STR	5020	16
*A104	2	16	STR	2800	9
*A105	2	16	STR	600	2
A201	2	16	STR	9440	29
A202	2	16	STR	7220	22
A203	2	16	STR	5020	16
A204	2	16	STR	2800	9
A205	2	16	STR	600	2
*B1	140	13	STR	8820	1227
B2	150	16	STR	14340	3338
*G1	2	16	STR	11660	36
*K1	8	16	1	3180	39
*K2	8	16	2	4560	57
*S1	60	13	3	1120	67
REINFORCING STEEL				KG	8366
* EPOXY COATED REINFORCING STEEL				KG	6454

**BAR TYPES**

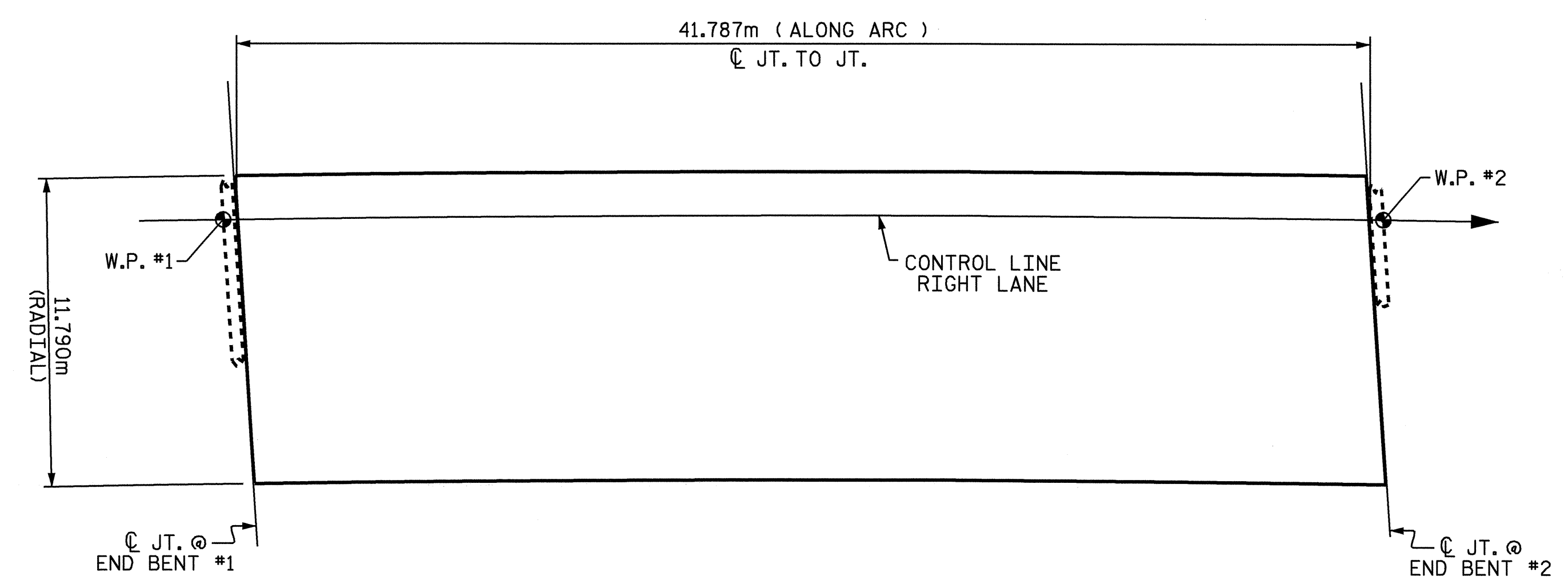


ALL BAR DIMENSIONS ARE OUT TO OUT

**SUPERSTRUCTURE BILL OF MATERIAL**

	CLASS AA CONCRETE	REINFORCING STEEL	EPOXY COATED REINFORCING STEEL
	(m <sup>3</sup> )	(kg)	(kg)
POUR #1	135.4	8,366	6,454
TOTALS *	135.4	8,366	6,454

\*\* QUANTITIES FOR BARRIER RAIL ARE NOT INCLUDED

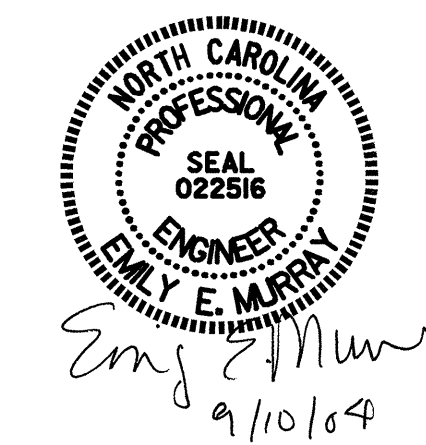


**LAYOUT FOR COMPUTING AREA OF REINFORCED CONCRETE DECK SLAB**  
(SQ. METER = 492.7)

**GROOVING BRIDGE FLOORS**

APPROACH SLABS	157.5	SQ.METER
BRIDGE DECK	411.6	SQ.METER
TOTAL	569.1	SQ.METER

PROJECT NO. R-2206C  
LINCOLN-CATAWBA COUNTY  
STATION: 237+97.199 -L-



STATE OF NORTH CAROLINA  
DEPARTMENT OF TRANSPORTATION  
RALEIGH  
**SUPERSTRUCTURE BILL OF MATERIAL RIGHT LANE**

DRAWN BY : T.L. AVERETTE DATE : 04-30-02  
CHECKED BY : M.M. PARSONS DATE : 04-03

REVISIONS						SHEET NO.
NO.	BY:	DATE:	NO.	BY:	DATE:	TOTAL SHEETS
1			3			5-241
2			4			374