

NOTES

FOR ELASTOMERIC BEARINGS, SEE SPECIAL PROVISIONS.

AT ALL FIXED POINTS OF SUPPORT, NUTS FOR ANCHOR BOLTS ARE TO BE TIGHTENED FINGER TIGHT AND THEN BACKED OFF 1/2 TURN. THE THREAD OF THE NUT AND BOLT SHALL THEN BE BURRED WITH A SHARP POINTED TOOL.

THE 51mm Ø PIPE SLEEVE SHALL BE CUT FROM SCHEDULE 40 PVC PLASTIC PIPE. THE PVC PLASTIC PIPE SHALL MEET THE REQUIREMENTS OF ASTM D1785.

THE PAYMENT FOR THE PIPE SLEEVES SHALL BE INCLUDED IN THE SEVERAL PAY ITEMS.

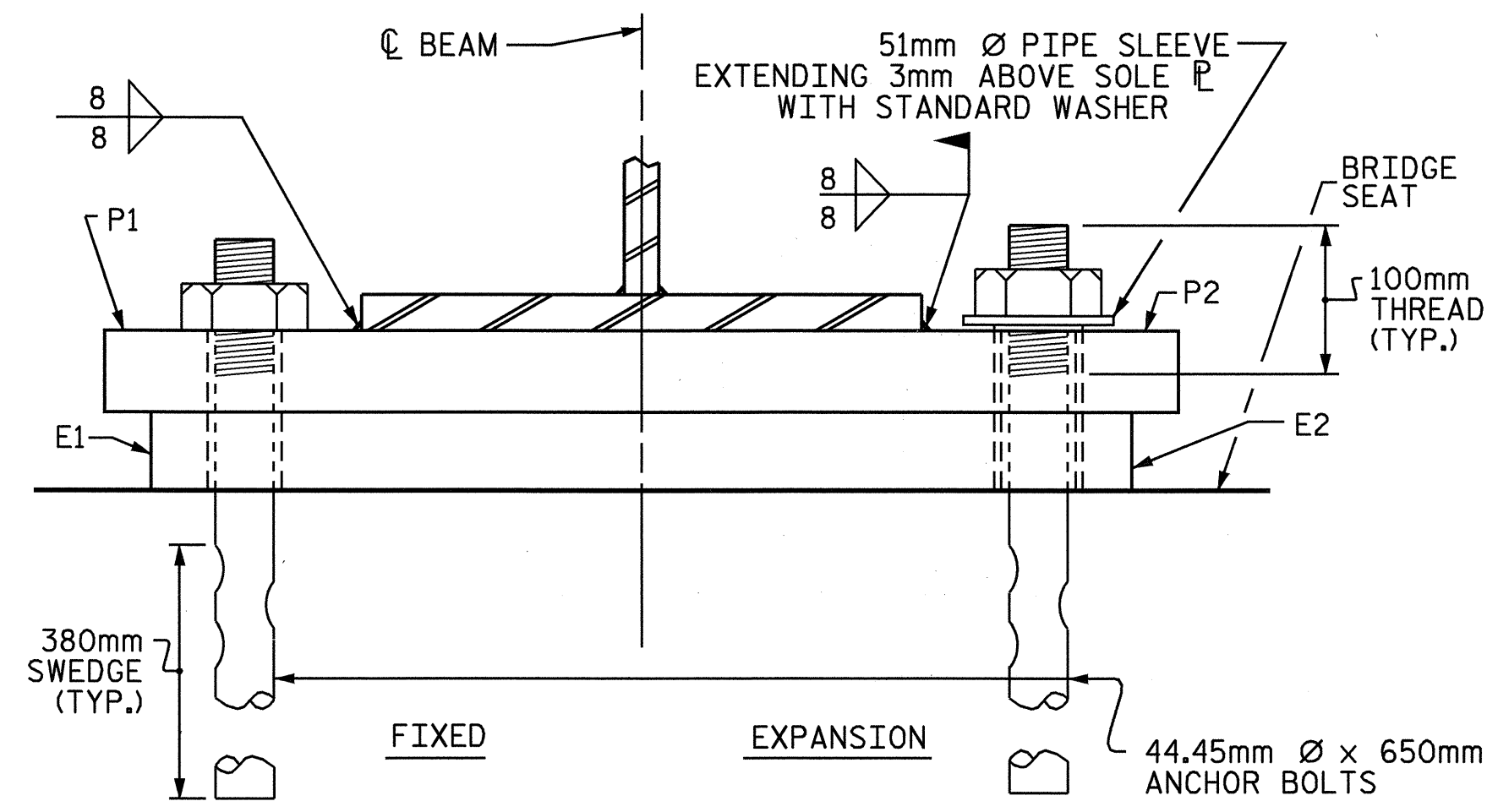
FOR PAINTED STRUCTURAL STEEL (EXCLUDING AASHTO M270 GRADE 345W), SOLE PLATES, ANCHOR BOLTS NUTS AND WASHERS SHALL BE GALVANIZED IN ACCORDANCE WITH THE STANDARD SPECIFICATIONS.

FOR AASHTO M270 GRADE 345W STRUCTURAL STEEL, SOLE PLATE SHALL BE AASHTO M270 GRADE 345W AND SHALL NOT BE GALVANIZED, ANCHOR BOLTS AND NUTS SHALL BE GALVANIZED IN ACCORDANCE WITH THE STANDARD SPECIFICATIONS.

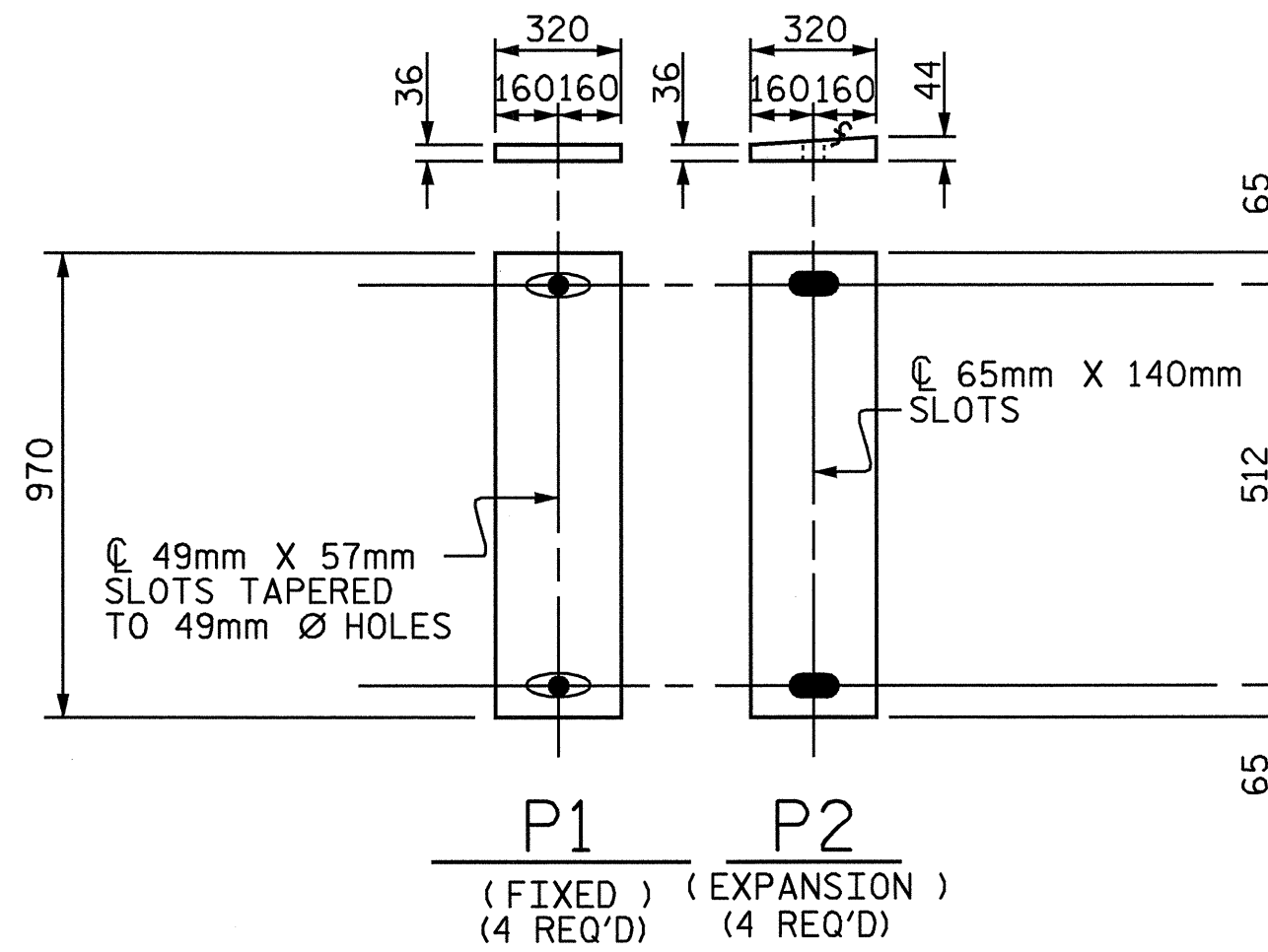
ANCHOR BOLTS SHALL MEET THE REQUIREMENTS OF ASTM A449. NUTS SHALL MEET THE REQUIREMENTS OF AASHTO M291M-12 OR AASHTO M292M-2H. WASHERS SHALL MEET THE REQUIREMENTS OF AASHTO M293M. SHOP DRAWINGS ARE NOT REQUIRED FOR ANCHOR BOLTS, NUTS AND WASHERS. SHOP INSPECTION IS REQUIRED.

WHEN FIELD WELDING THE SOLE PLATE TO THE GIRDER FLANGE, USE TEMPERATURE INDICATING WAX PENS, OR OTHER SUITABLE MEANS, TO ENSURE THAT THE TEMPERATURE OF THE SOLE PLATE DOES NOT EXCEED 149°C. TEMPERATURES ABOVE THIS MAY DAMAGE THE ELASTOMER.

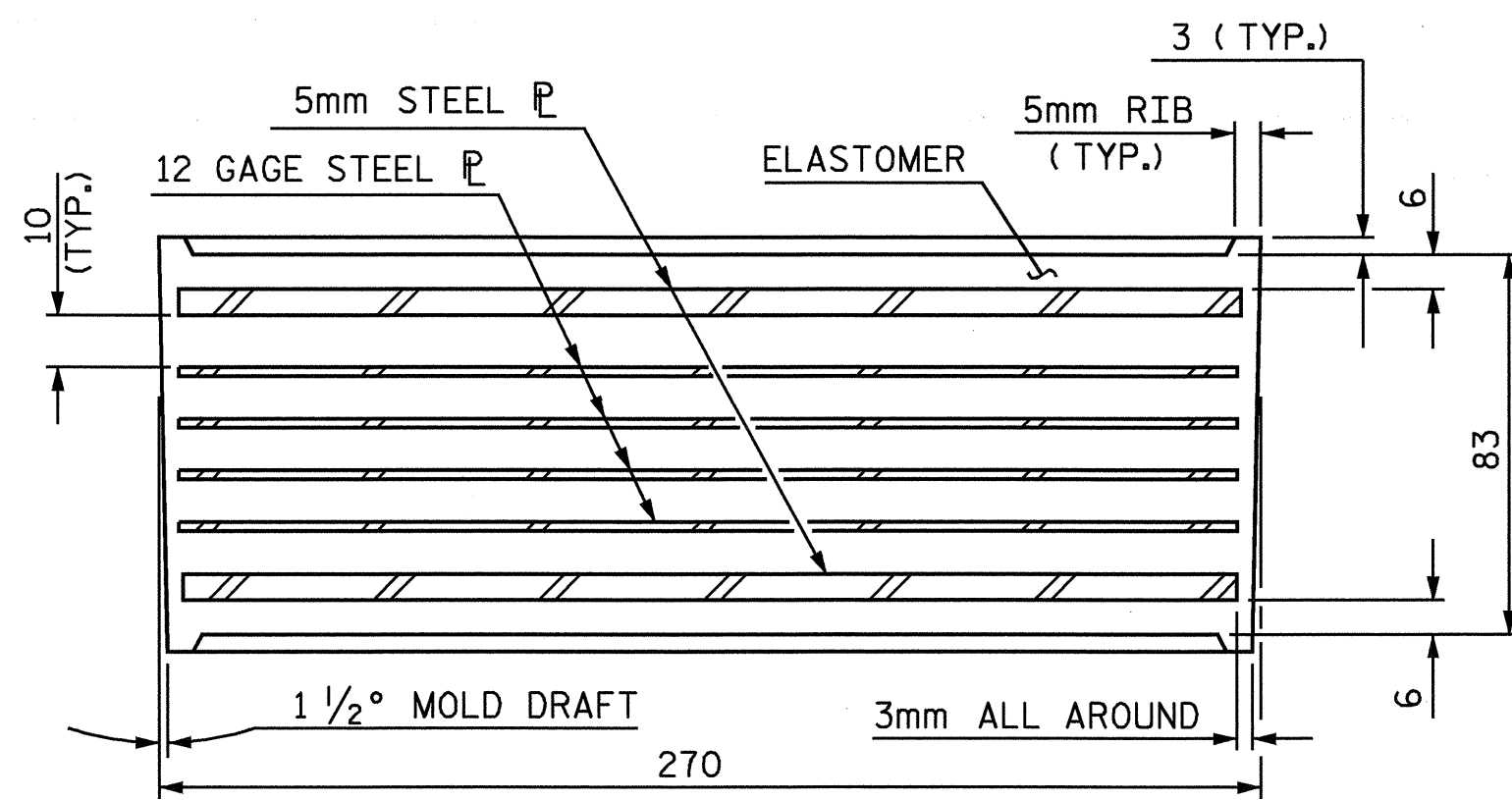
ALL SURFACES OF BEARING PLATES SHALL BE SMOOTH AND STRAIGHT.



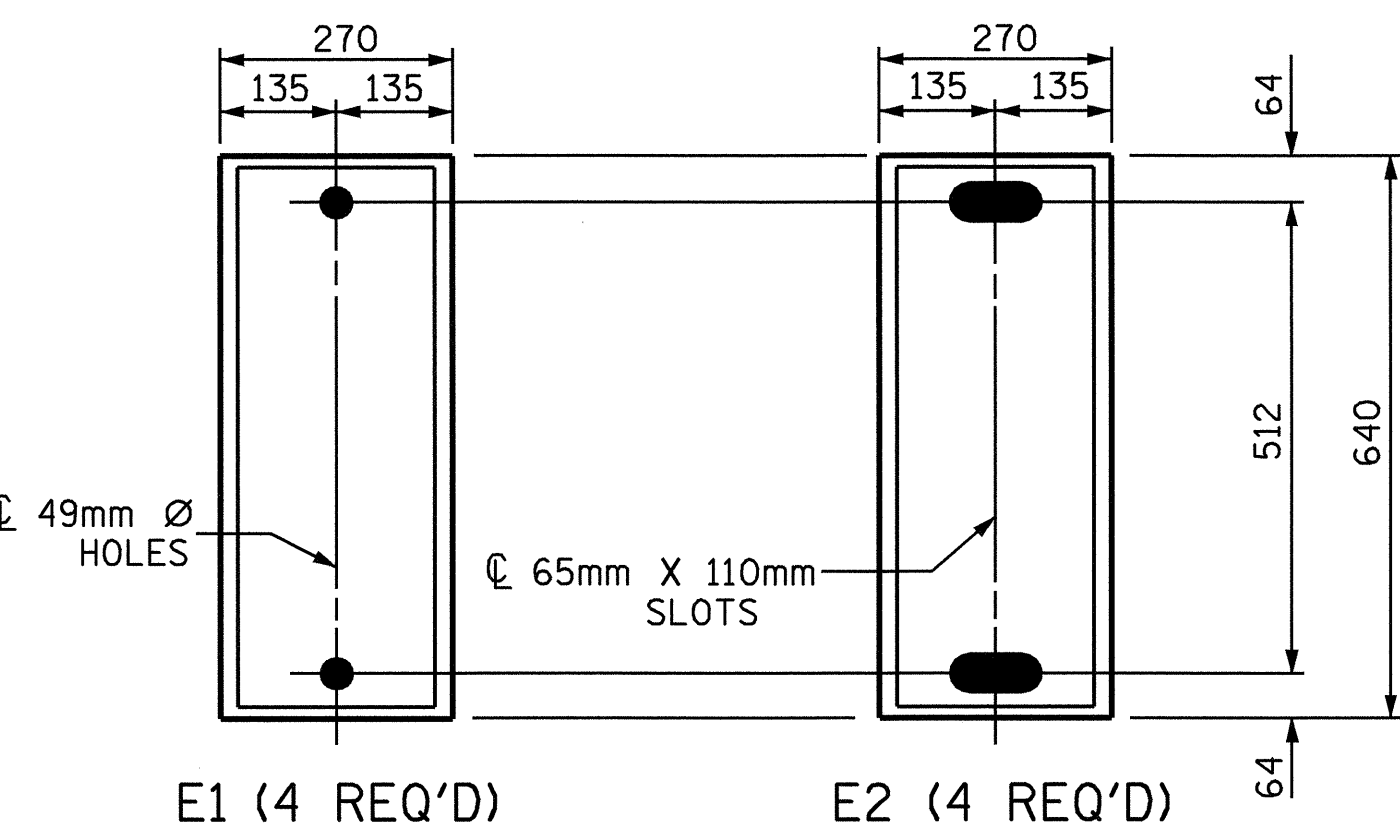
END VIEW



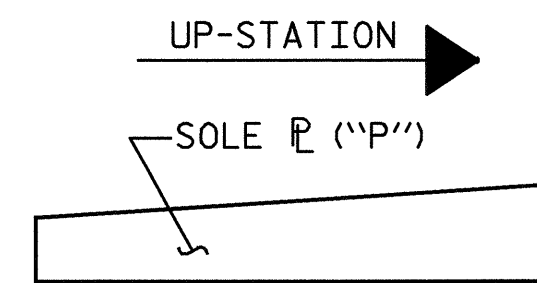
SOLE PLACEMENT DETAILS



TYPICAL SECTION OF ELASTOMERIC BEARING



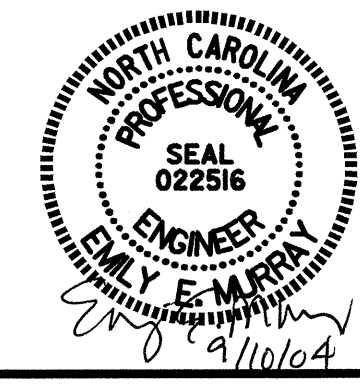
PLAN VIEW OF ELASTOMERIC BEARING TYPE IV



SOLE PLACEMENT DETAIL

-LOAD RATINGS-	
	MAX.D.L.+ L.L.
TYPE IV	809 kN

PROJECT NO. R-2206C
LINCOLN-CATAWBA COUNTY
 STATION: 245+91.502-L-



STATE OF NORTH CAROLINA
 DEPARTMENT OF TRANSPORTATION
 RALEIGH

STANDARD ELASTOMERIC BEARING DETAILS
 LEFT LANE

REVISIONS						SHEET NO.
NO.	BY:	DATE:	NO.	BY:	DATE:	TOTAL SHEETS
1			3			5-24
2			4			374

ASSEMBLED BY : M.D.PISO DATE : 9/03
 CHECKED BY : M.M.PARSONS DATE : 5/11/04
 DRAWN BY : EEM 10/95 REV. 7/17/98 RWW/LES
 CHECKED BY : PEK 10/95 REV. 8/16/99 MAB/LES
 REV. 10/17/00 RWW/LES