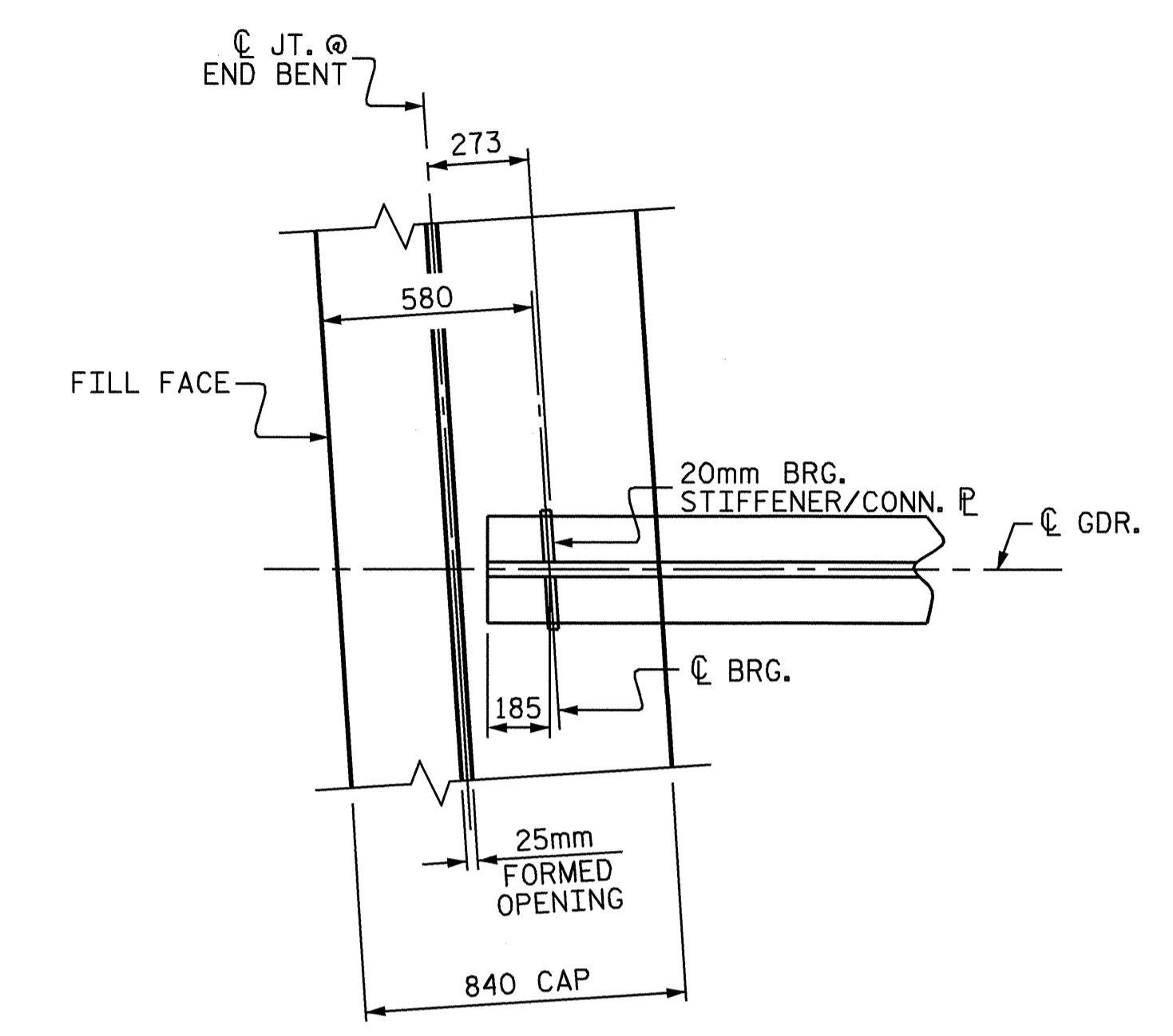


SECTION THRU END BENT DIAPHRAGM

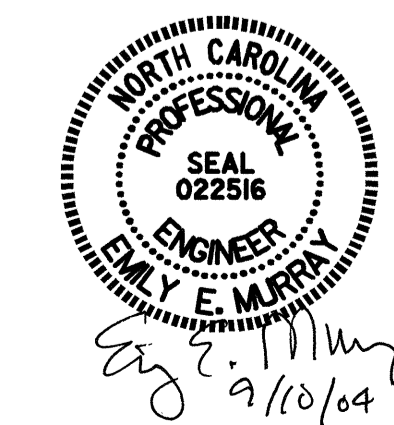


PLAN OF GIRDER @ END BENT

PROJECT NO. R-2206C
 LINCOLN-CATAWBA COUNTY
 STATION: 245+91.502 -L-

SHEET 2 OF 2

STATE OF NORTH CAROLINA
 DEPARTMENT OF TRANSPORTATION
 RALEIGH
 SUPERSTRUCTURE
 TYPICAL SECTION
 DETAILS
 RIGHT LANE



DRAWN BY : M. M. PARSONS DATE : 4/17/03
 CHECKED BY : T. AVERETTE DATE : 3/29/04

REVISIONS				SHEET NO.
NO.	BY:	DATE:	NO.	DATE:
1			3	
2			4	

TOTAL SHEETS	374
--------------	-----