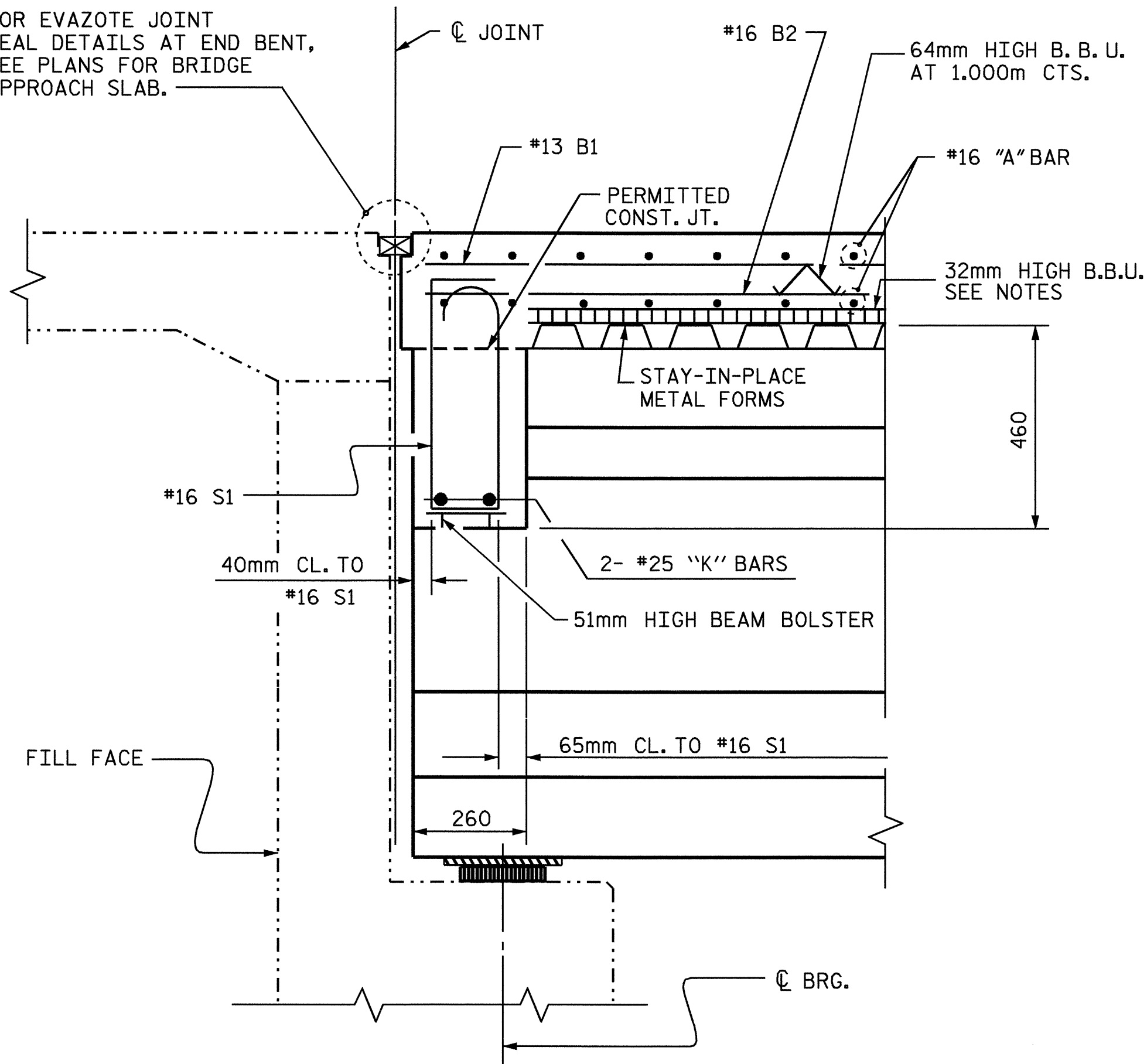
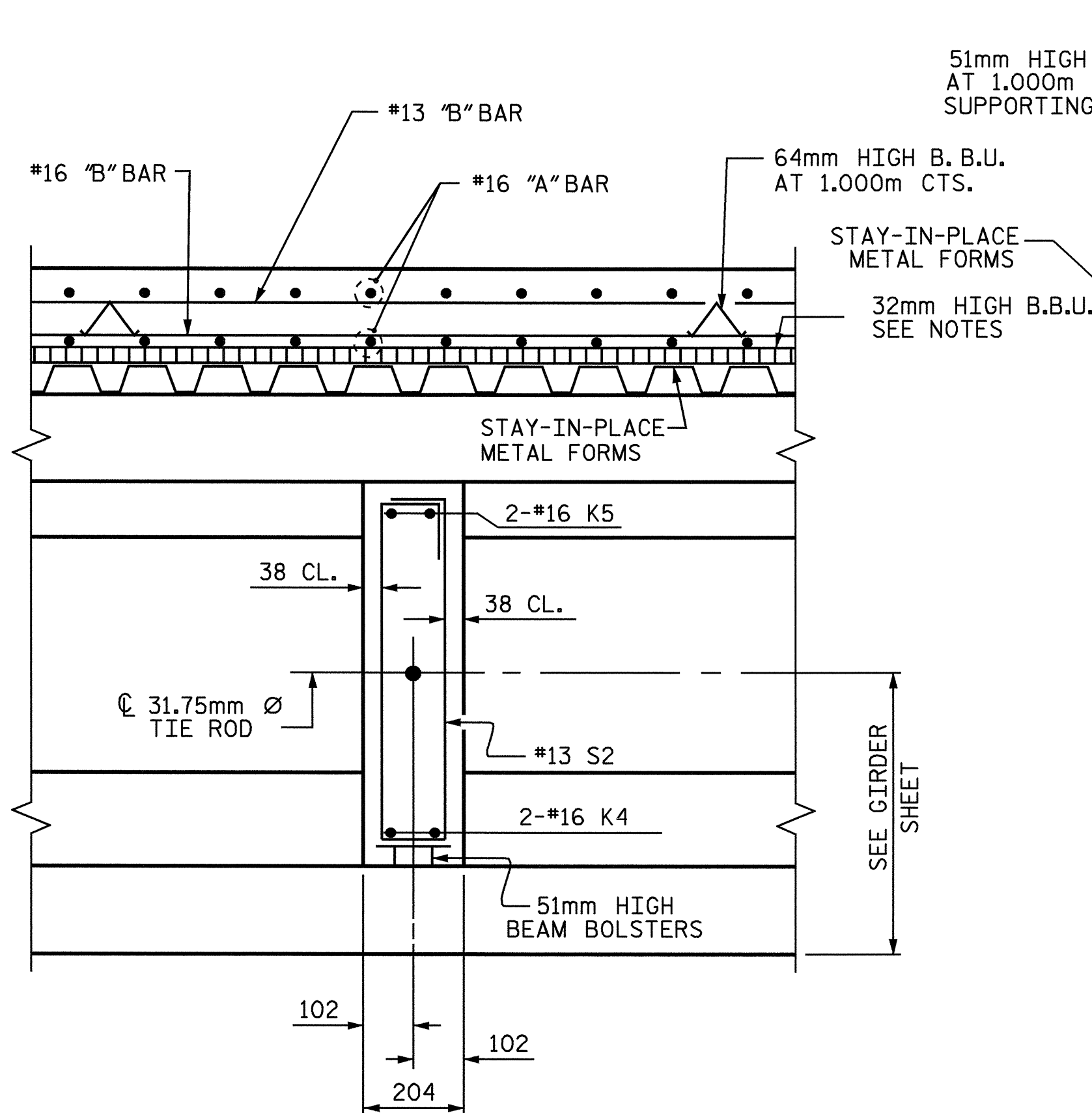


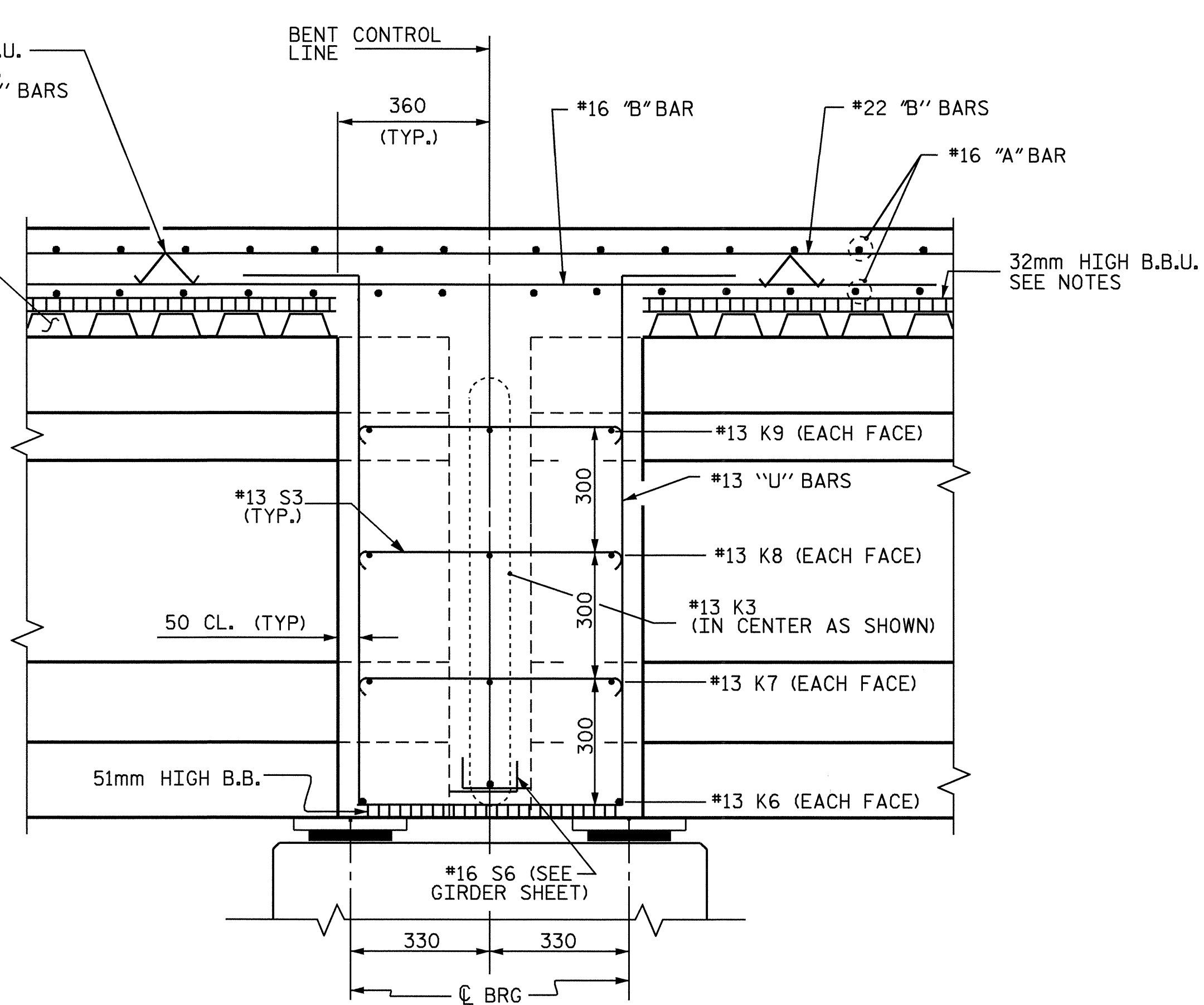
FOR EVAZOTE JOINT SEAL DETAILS AT END BENT, SEE PLANS FOR BRIDGE APPROACH SLAB.



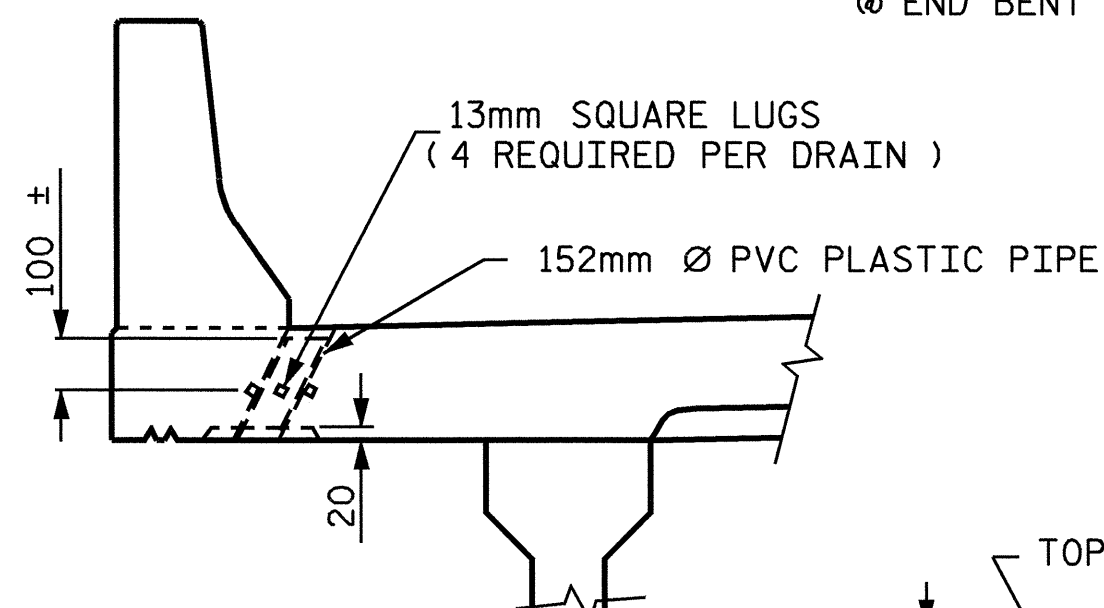
SECTION A-A
@ END BENT DIAPHRAGM



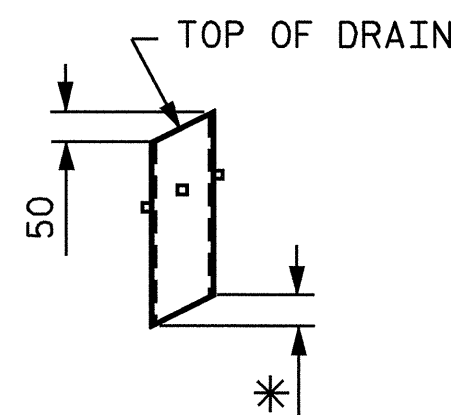
SECTION B-B
@ INTERMEDIATE DIAPHRAGM



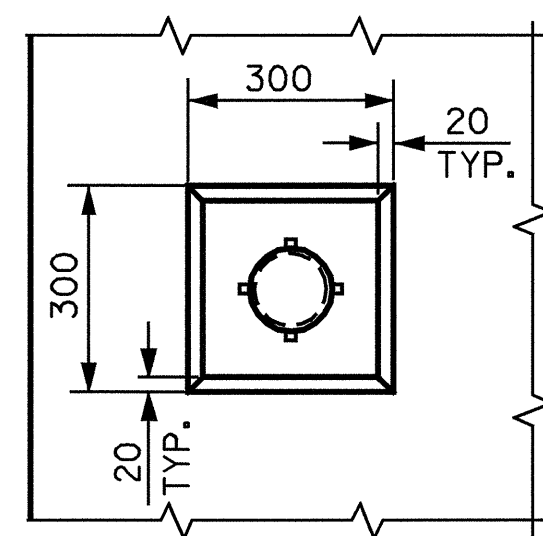
SECTION C-C
@ BENT DIAPHRAGM



ELEVATION



PIPE DETAIL



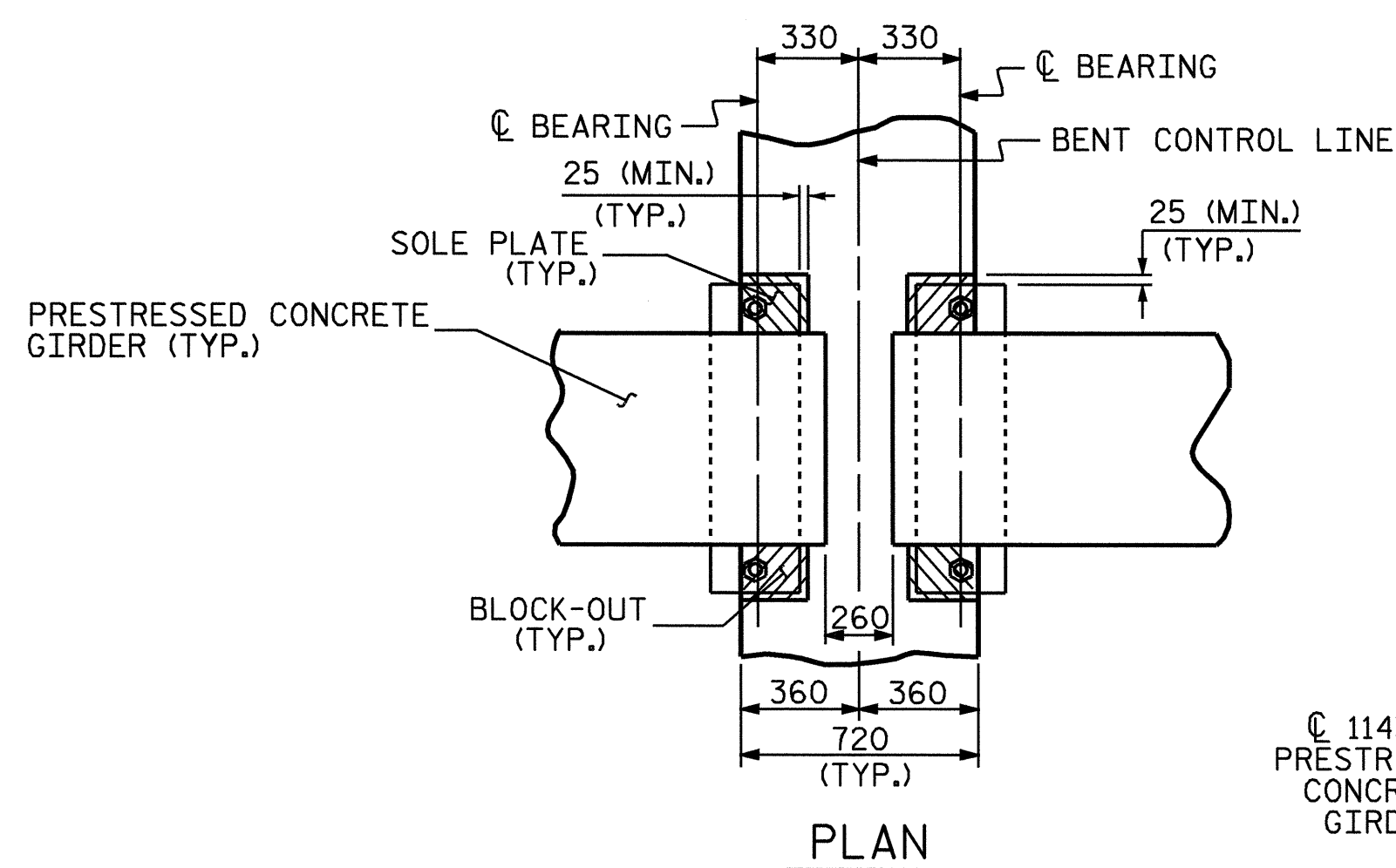
PLAN OF RECESS

TOP OF FLOOR DRAINS TO SET 10mm BELOW SURFACE OF SLAB.

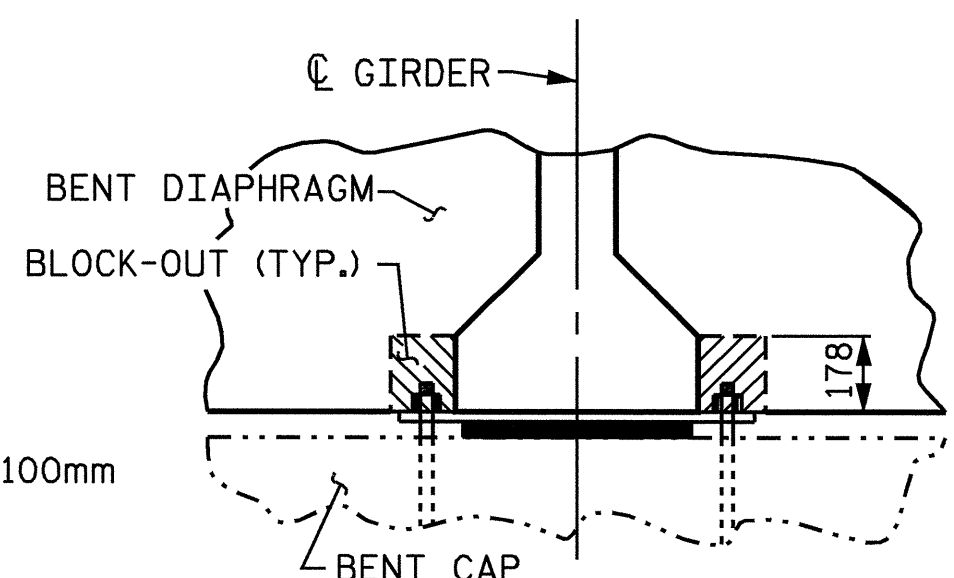
4 - 13mm SQUARE LUGS TO BE GLUED TO THE PVC PLASTIC PIPE AT EQUAL SPACES AROUND THE PIPE DRAIN APPROXIMATELY 100mm FROM THE TOP OF THE PIPE.

THE 152mm Ø PVC PIPE AND FITTINGS SHALL BE SCHEDULE 40 AND CONFORM TO ASTM D1785.

DRAIN DETAILS

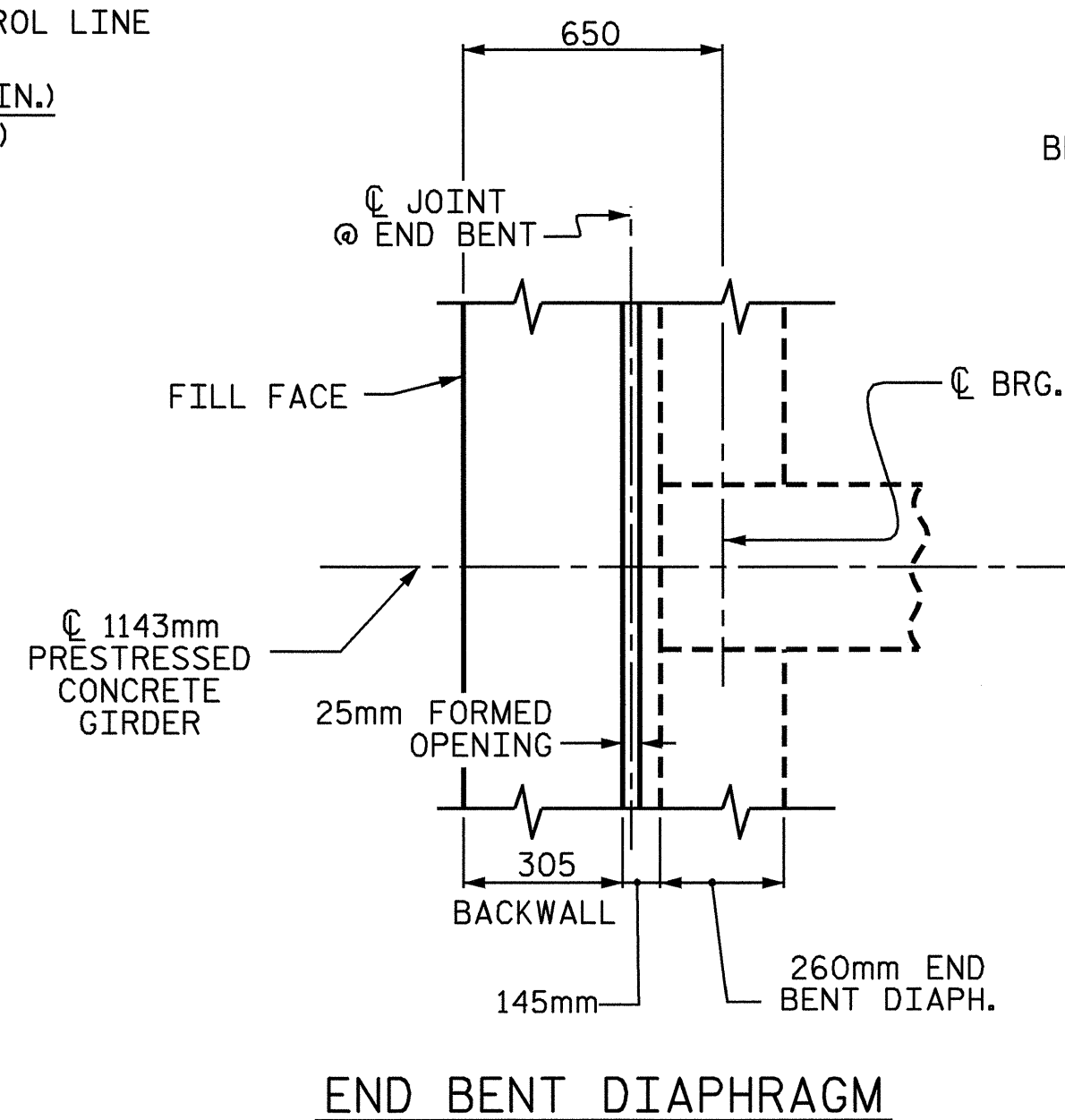


PLAN

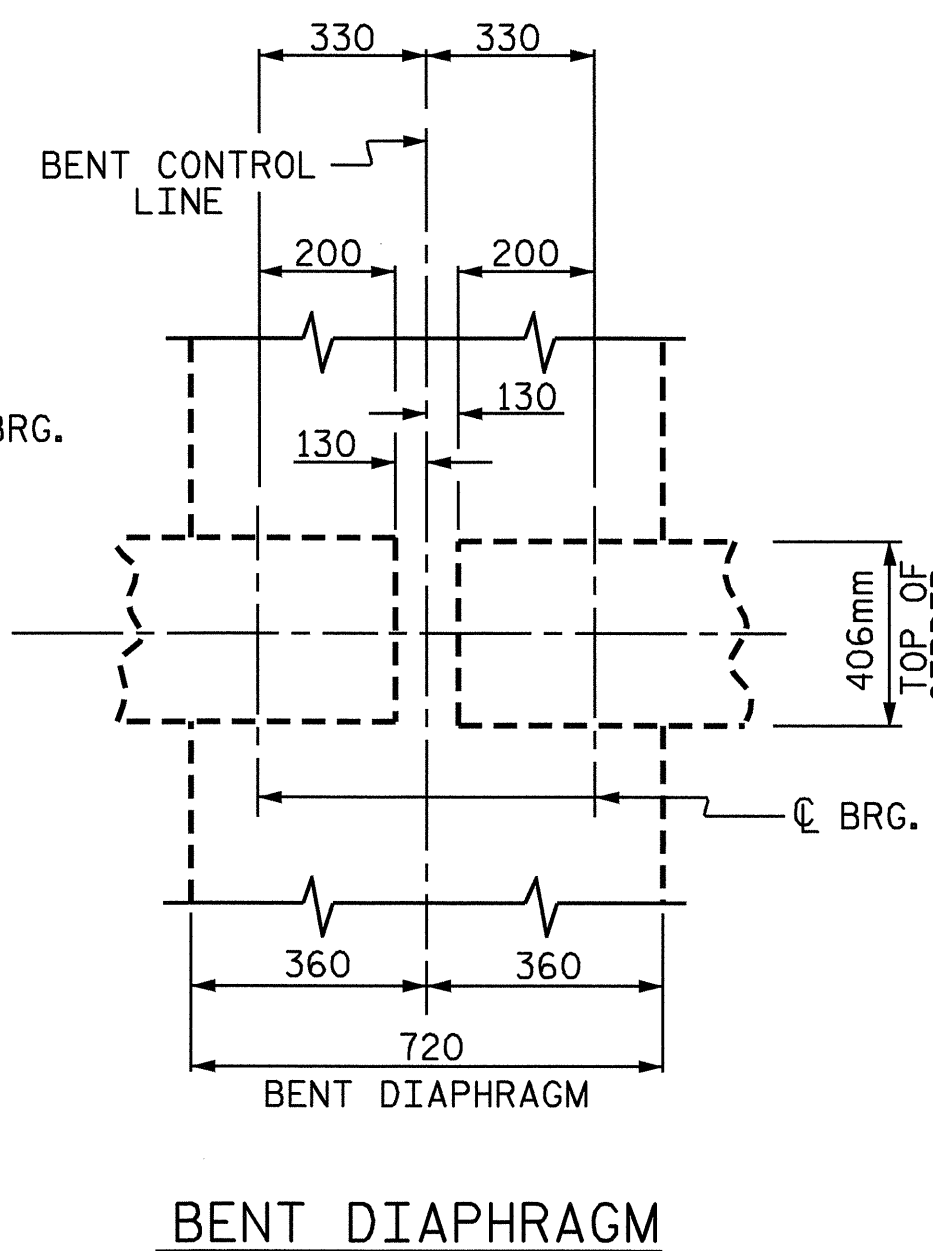


SECTION

BENT DIAPHRAGM BLOCKOUT DETAIL



END BENT DIAPHRAGM



BENT DIAPHRAGM

PROJECT NO. R-2206C
LINCOLN-CATAWBA COUNTY
STATION: 256+91.000 -L-

SHEET 3 OF 3



STATE OF NORTH CAROLINA DEPARTMENT OF TRANSPORTATION RALEIGH					
SUPERSTRUCTURE TYPICAL SECTION DETAILS LEFT LANE					
REVISIONS					
NO.	BY:	DATE:	NO.	BY:	DATE:
1			3		
2			4		

SHEET NO.
5-309
TOTAL SHEETS
374

DRAWN BY: PEGGY ADKINS DATE: 1-04
CHECKED BY: W. D. CRUTCHER DATE: 1-04

03-SEP-2004 15:21
W:\squad\2206\Final Plans\Str. INR2206C_SD_TL.dgn
dcrutcher

STR. #11