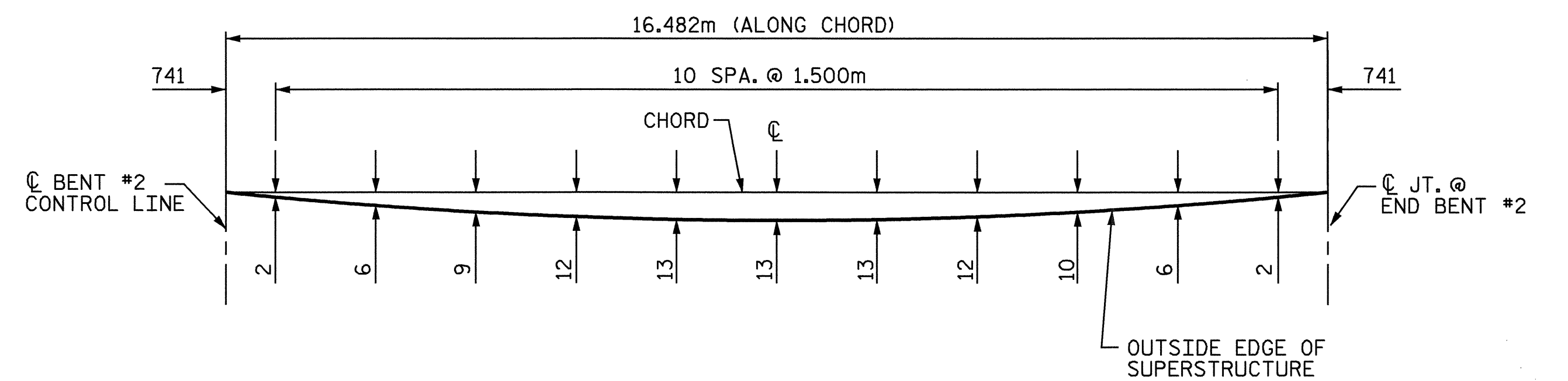
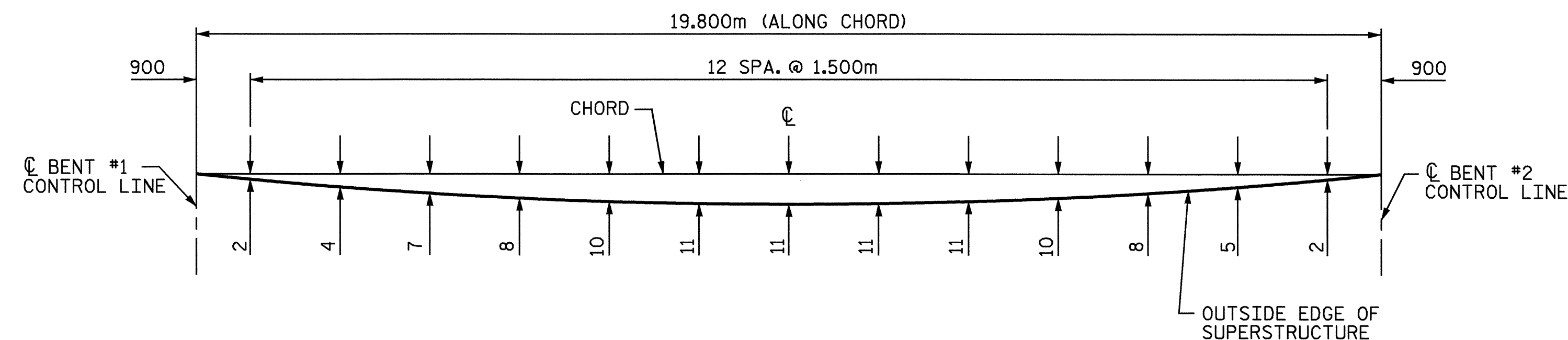


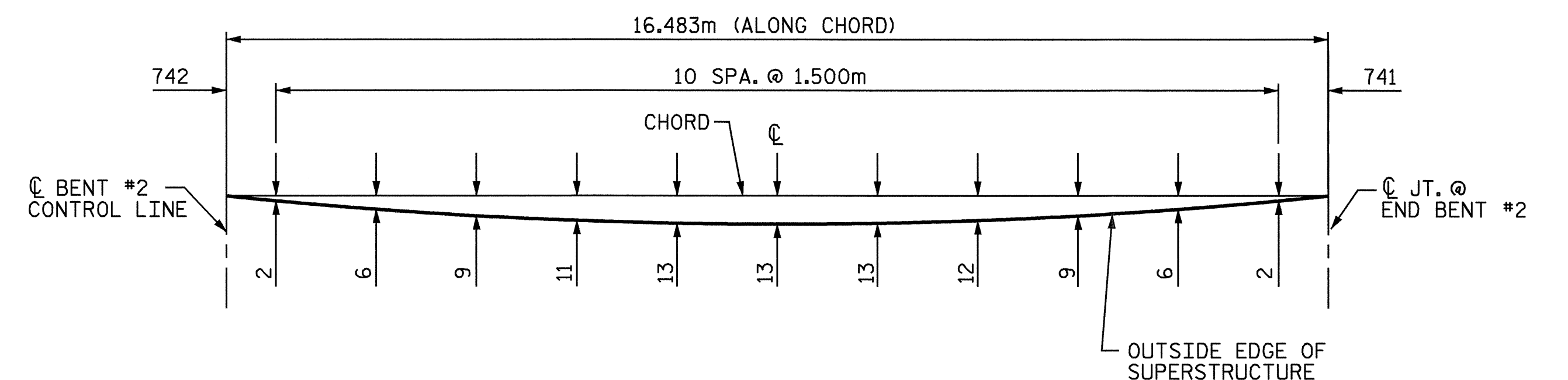
SPAN "B" ARC OFFSETS
LEFT SIDE



SPAN "C" ARC OFFSETS
LEFT SIDE



SPAN "B" ARC OFFSETS
RIGHT SIDE

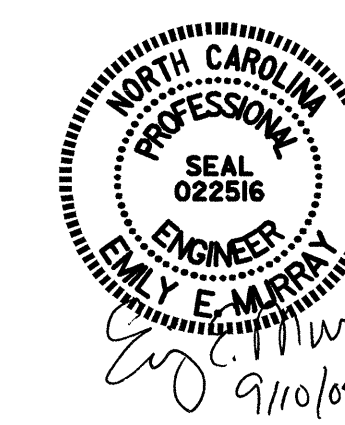


SPAN "C" ARC OFFSETS
RIGHT SIDE

ARC OFFSETS

ARC OFFSETS FOR SPAN "A" ARE NEGLIGIBLE.

PROJECT NO. R-2206C
LINCOLN-CATAWBA COUNTY
STATION: 256+91.000 -L-



STATE OF NORTH CAROLINA
DEPARTMENT OF TRANSPORTATION
RALEIGH

SUPERSTRUCTURE
ARC OFFSETS
LEFT LANE

REVISIONS						SHEET NO.
NO.	BY:	DATE:	NO.	BY:	DATE:	3-313
1			3			TOTAL SHEETS
2			4			374

DRAWN BY : PEGGY ADKINS DATE : 1-04
CHECKED BY : W. D. CRUTCHER DATE : 1-04

03-SEP-2004 15:20
W:\squad\2206c\Final Plans\Str. I\R2206C_SD_PS_IL.dgn
dcrutcher

STR. #11