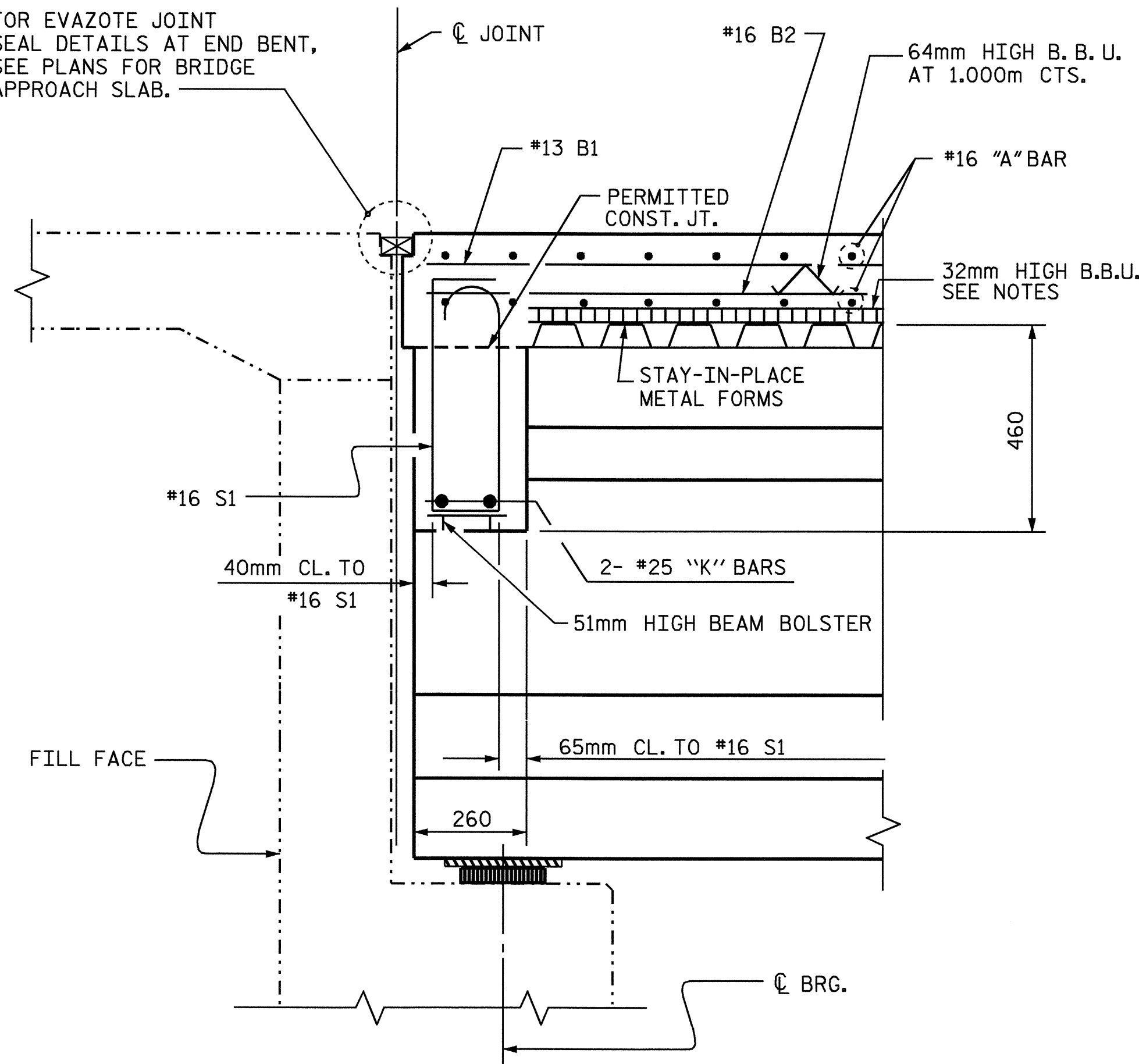
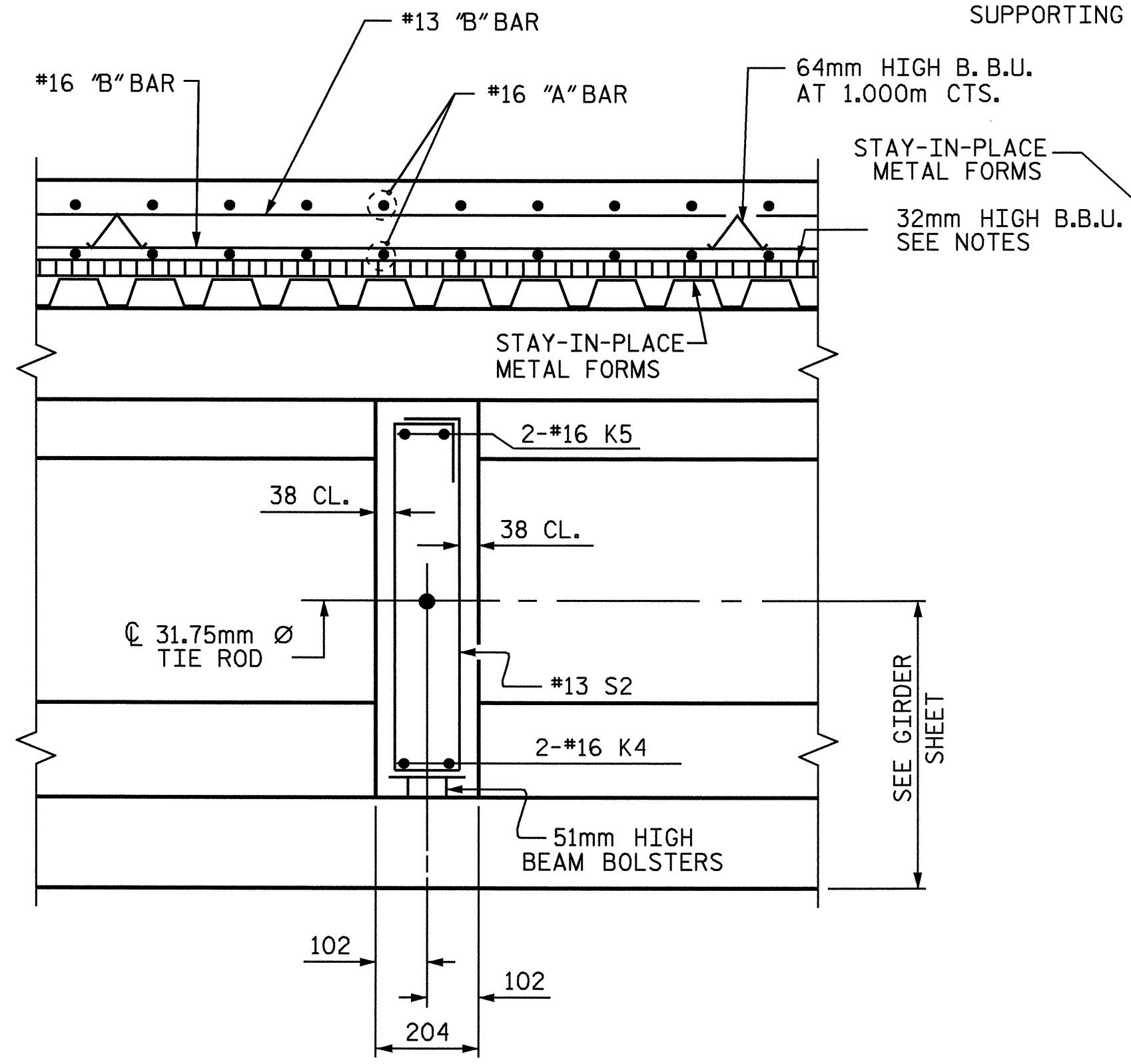


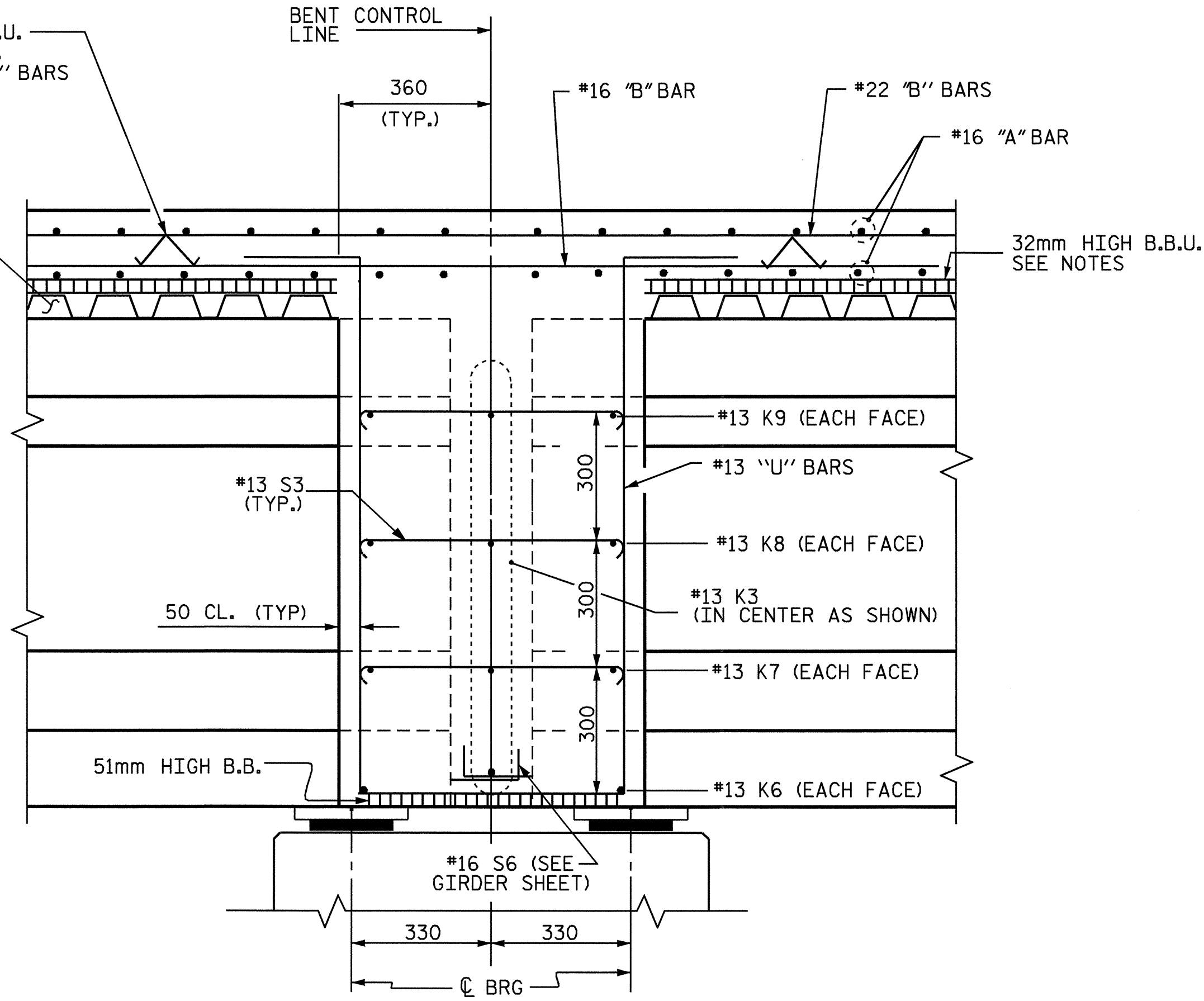
FOR EVAZOTE JOINT SEAL DETAILS AT END BENT, SEE PLANS FOR BRIDGE APPROACH SLAB.



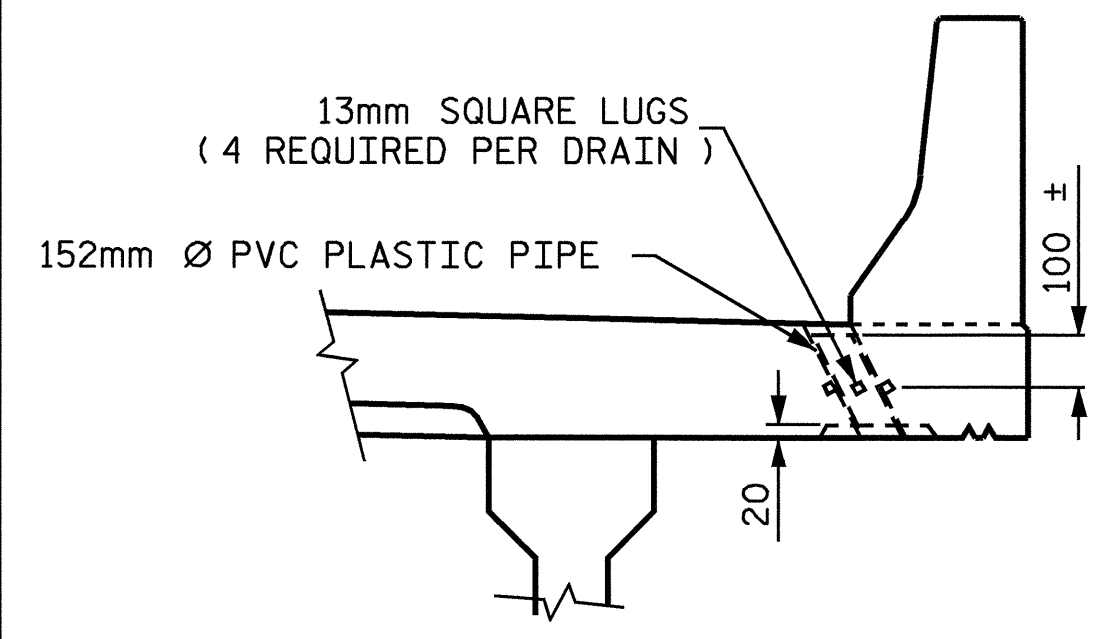
SECTION A-A
@ END BENT DIAPHRAGM



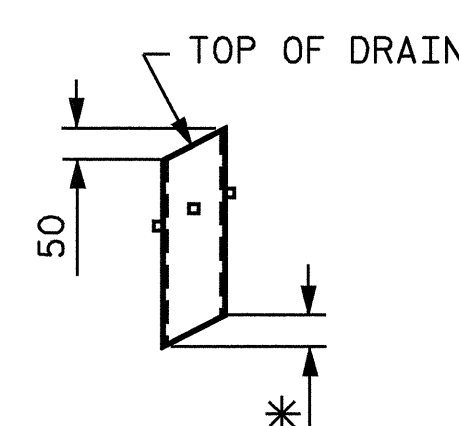
SECTION B-B
@ INTERMEDIATE DIAPHRAGM



SECTION C-C
@ BENT DIAPHRAGM

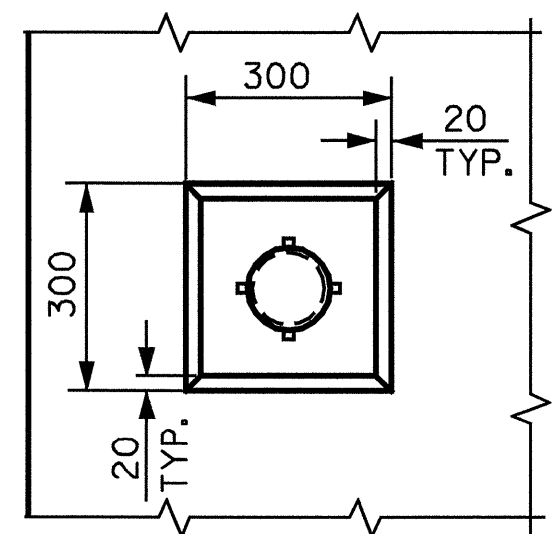


ELEVATION



* TO BE SET TO MATCH SLOPE OF BOTTOM OF OVERHANG (8 DRAINS REQUIRED)

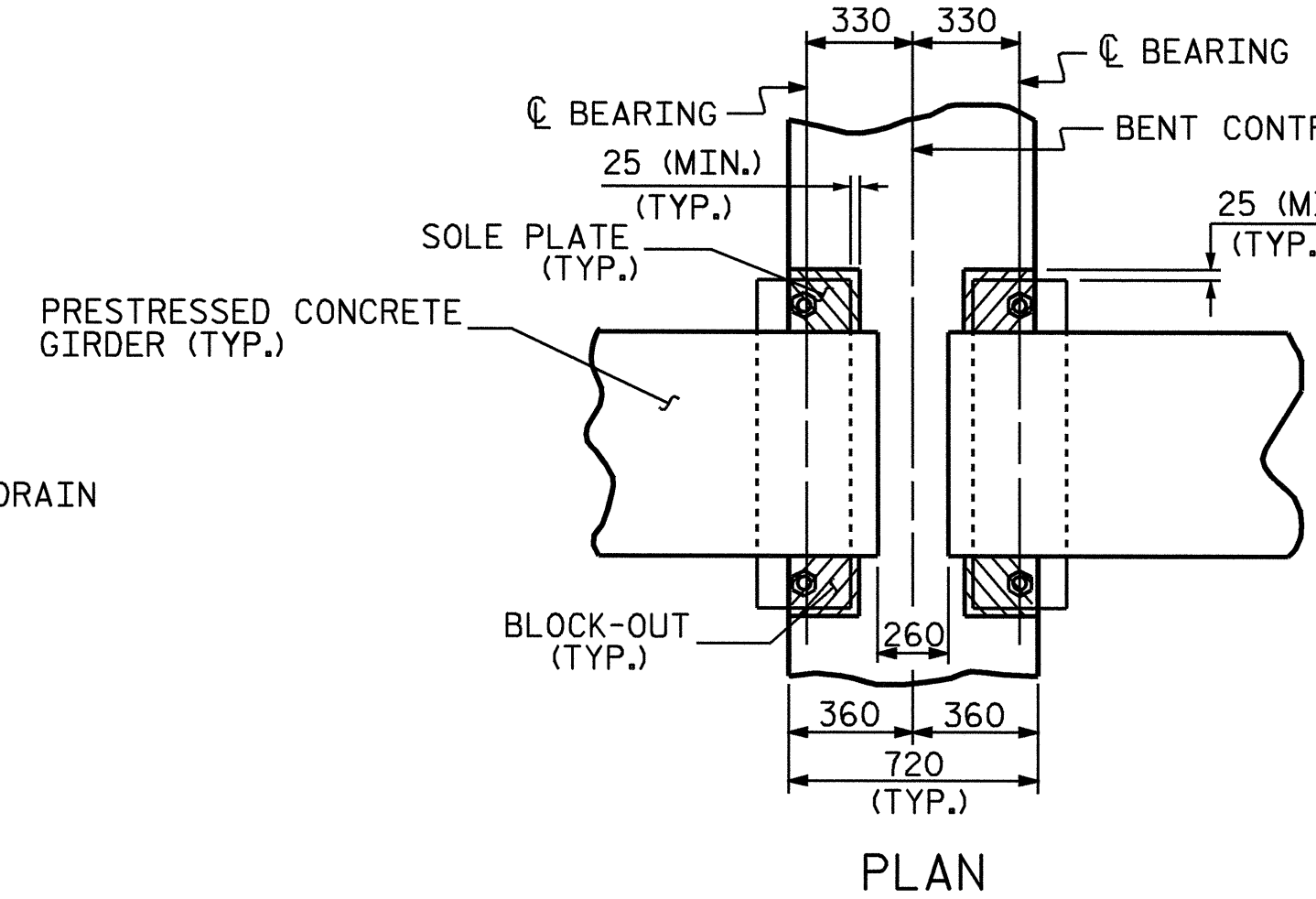
PIPE DETAIL



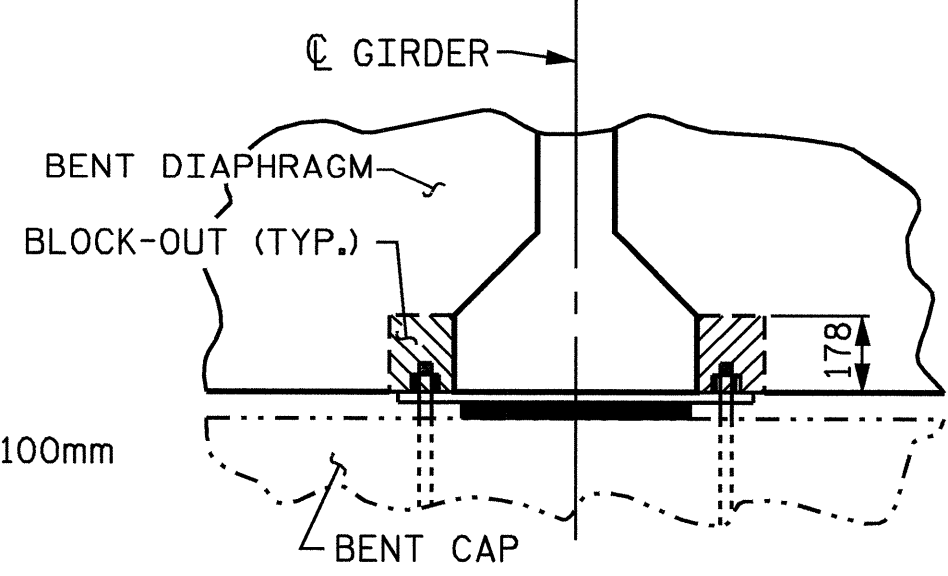
PLAN OF RECESS

TOP OF FLOOR DRAINS TO SET 10mm BELOW SURFACE OF SLAB.
4 - 13mm SQUARE LUGS TO BE GLUED TO THE PVC PLASTIC PIPE AT EQUAL SPACES AROUND THE PIPE DRAIN APPROXIMATELY 100mm FROM THE TOP OF THE PIPE.
THE 152mm Ø PVC PIPE AND FITTINGS SHALL BE SCHEDULE 40 AND CONFORM TO ASTM D1785.

DRAIN DETAILS

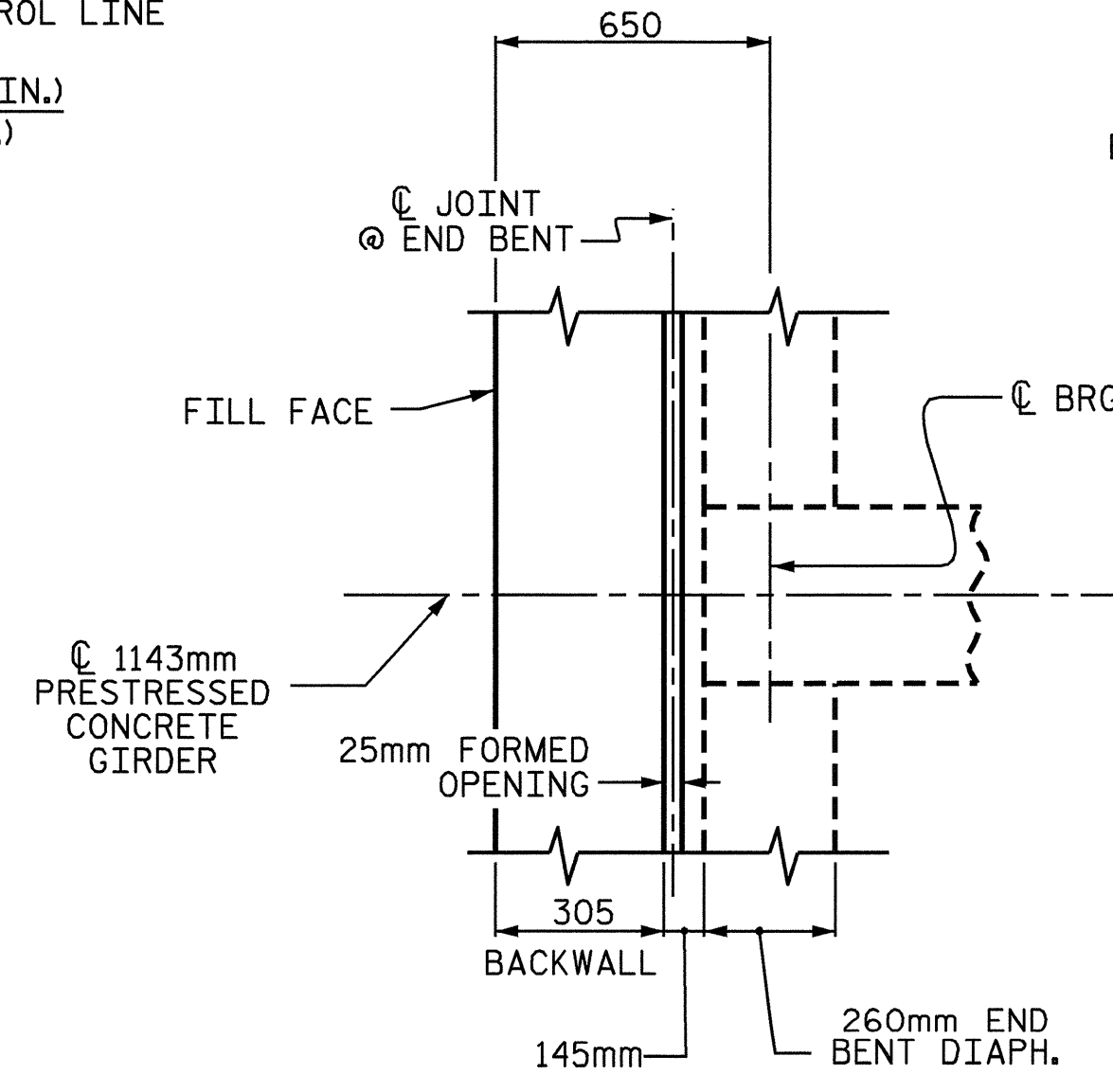


PLAN

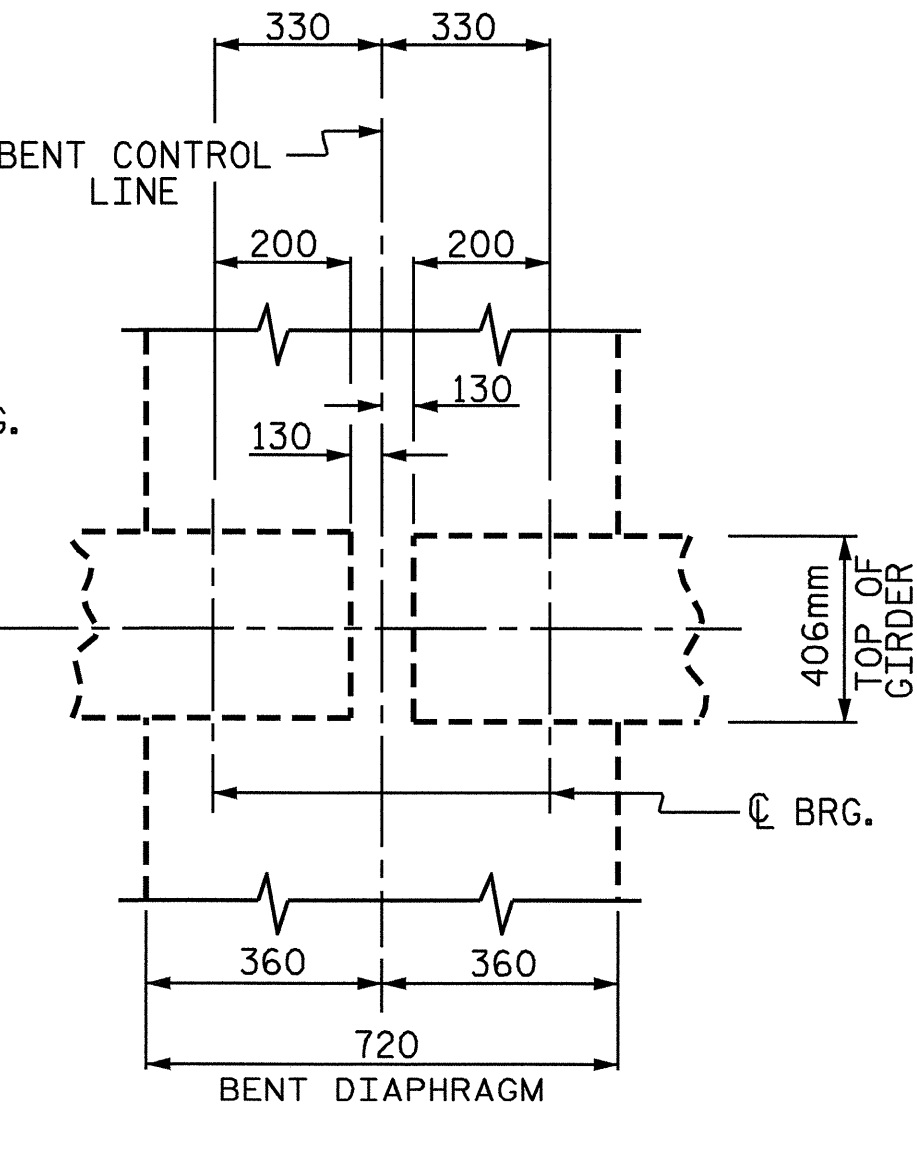


SECTION

BENT DIAPHRAGM BLOCKOUT DETAIL



END BENT DIAPHRAGM



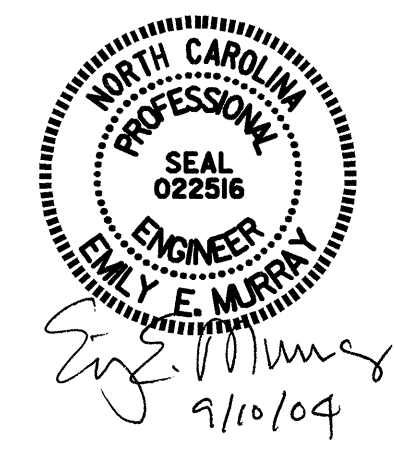
BENT DIAPHRAGM

PROJECT NO. R-2206C
LINCOLN-CATAWBA COUNTY
STATION: 256+91.000 -L-
SHEET 3 OF 3

STATE OF NORTH CAROLINA
DEPARTMENT OF TRANSPORTATION
RALEIGH

**SUPERSTRUCTURE
TYPICAL SECTION
DETAILS
RIGHT LANE**

REVISIONS						SHEET NO.
NO.	BY:	DATE:	NO.	BY:	DATE:	S-345
1			3			TOTAL SHEETS
2			4			374



DRAWN BY: PEGGY ADKINS DATE: 2-04
CHECKED BY: W. D. CRUTCHER DATE: 2-04