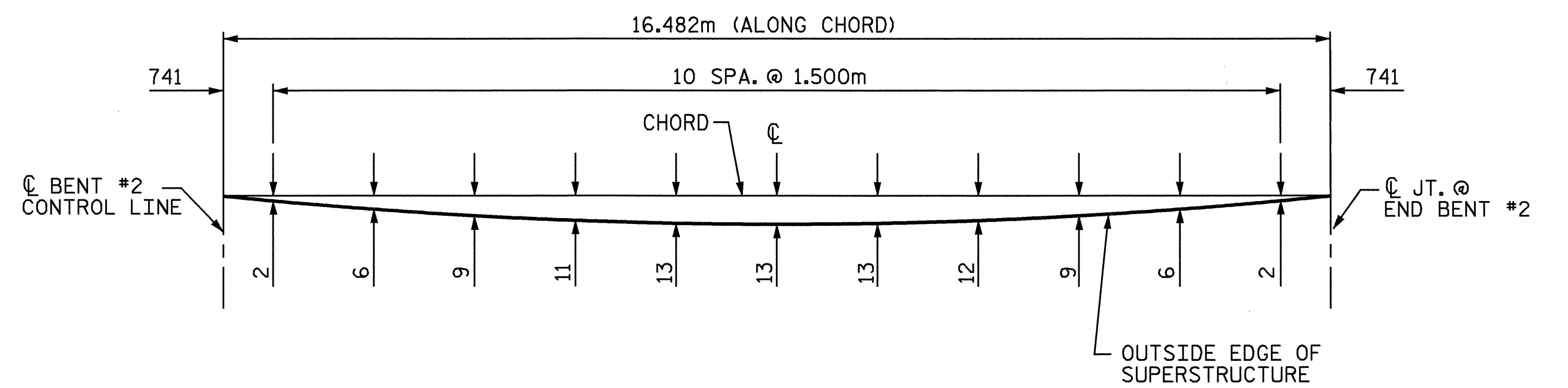
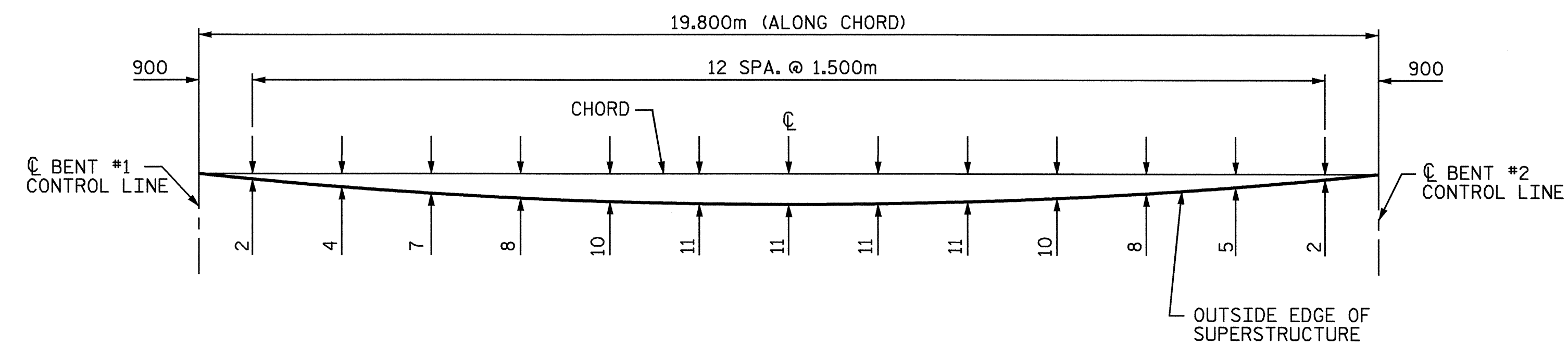


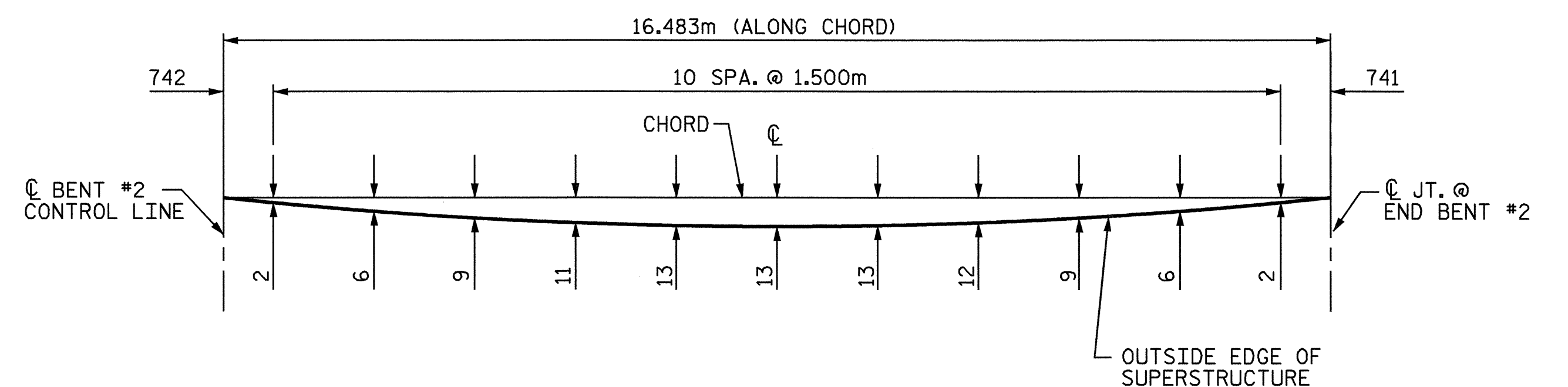
SPAN "B" ARC OFFSETS  
LEFT SIDE



SPAN "C" ARC OFFSETS  
LEFT SIDE



SPAN "B" ARC OFFSETS  
RIGHT SIDE



SPAN "C" ARC OFFSETS  
RIGHT SIDE

ARC OFFSETS

ARC OFFSETS FOR SPAN "A" ARE NEGLIGIBLE.

PROJECT NO. R-2206C  
 LINCOLN-CATAWBA COUNTY  
 STATION: 256+91.000 -L-



*Emily E. Murray*  
9/10/04

STATE OF NORTH CAROLINA DEPARTMENT OF TRANSPORTATION RALEIGH					
SUPERSTRUCTURE ARC OFFSETS RIGHT LANE					
REVISIONS					
NO.	BY:	DATE:	NO.	BY:	DATE:
1			3		
2			4		
					SHEET NO. 3-349
					TOTAL SHEETS 3-74

DRAWN BY : PEGGY ADKINS DATE : 2-04  
 CHECKED BY : W. D. CRUTCHER DATE : 2-04

08-SEP-2004 15:06  
 W:\squad\2206c\Final Plans\Str. I2\R2206C\_SD\_SI\_I2.dgn  
 dcrutcher