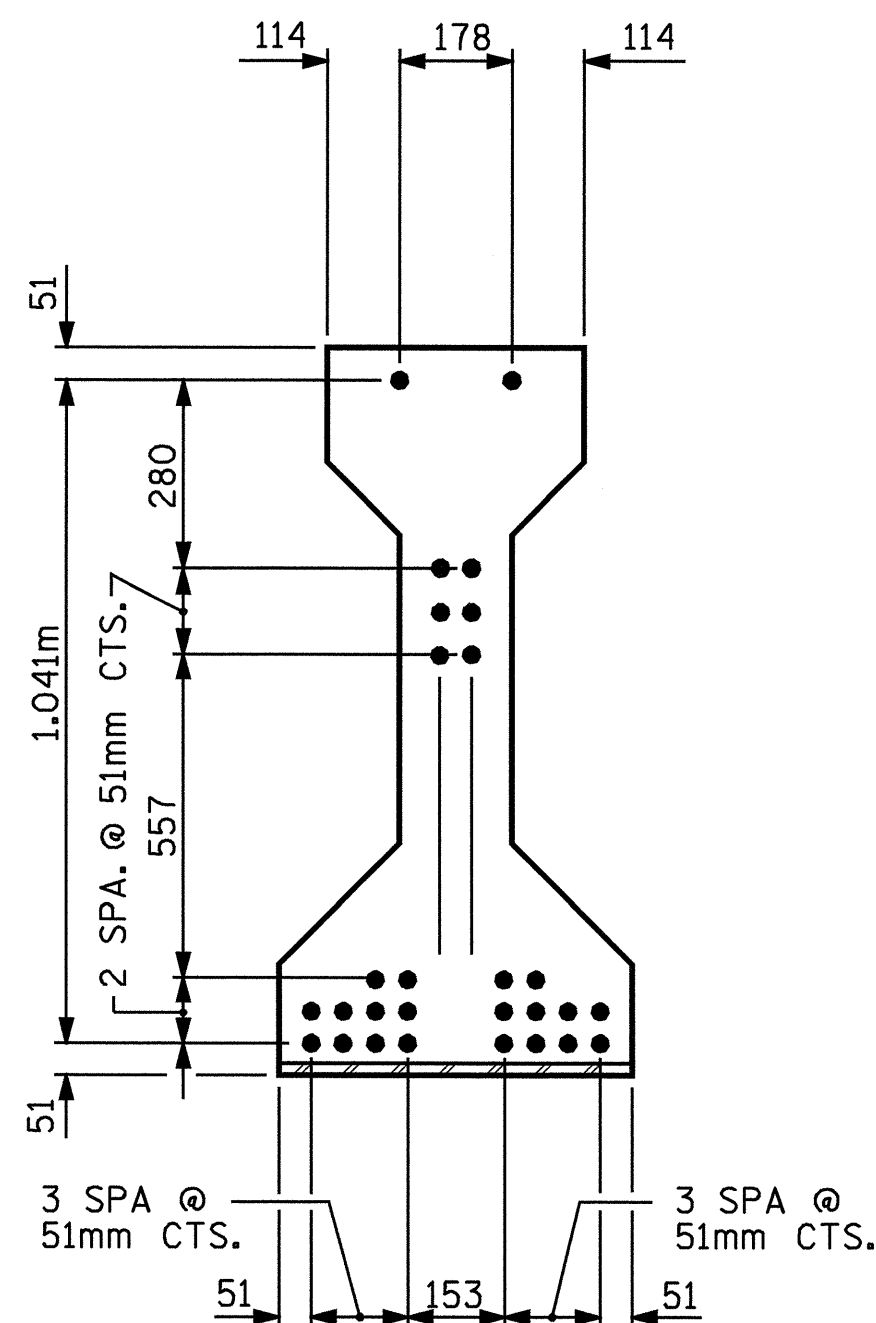
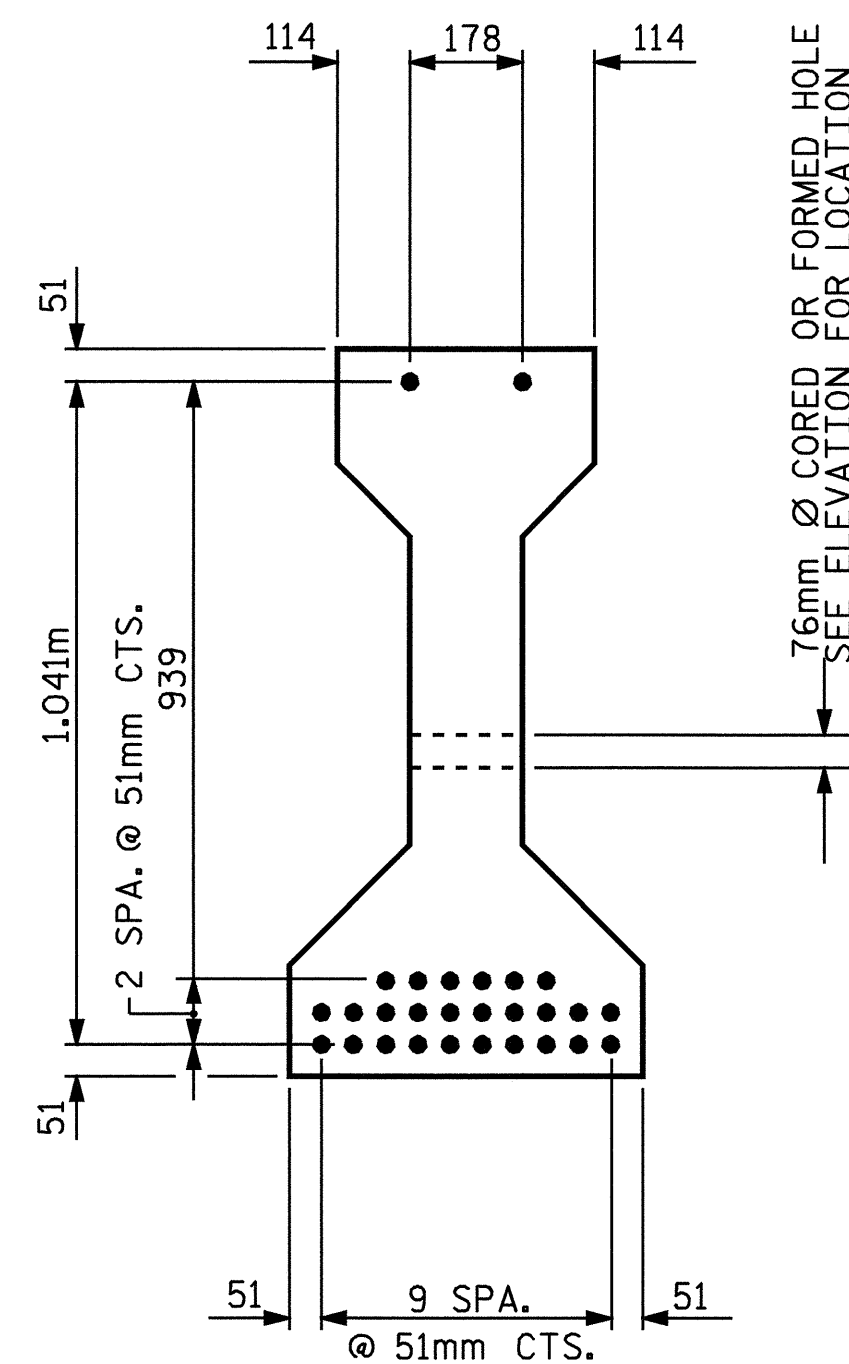


SECTION B-B

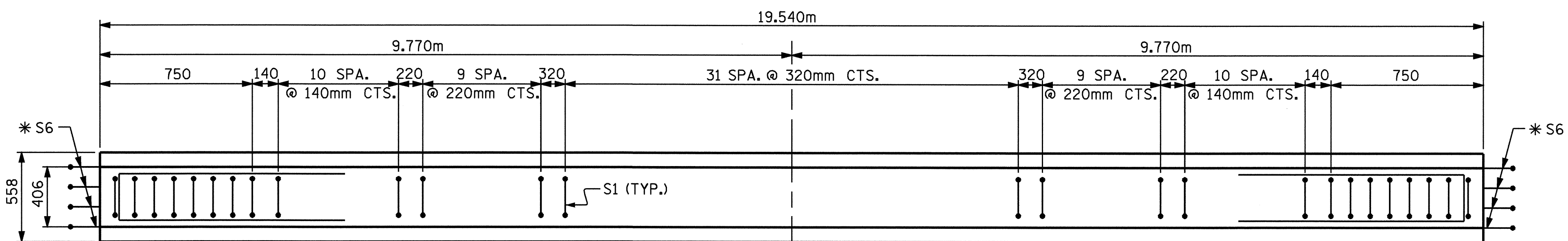


AT END OF GIRDER

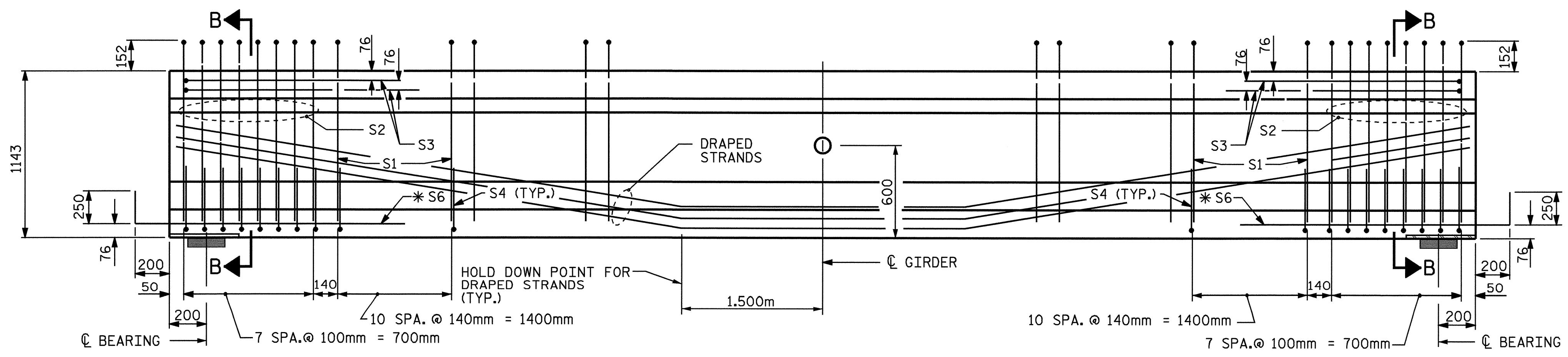


AT CL OF GIRDER

12.70mm Ø LOW RELAXATION STRAND LAYOUT



PLAN OF GIRDER



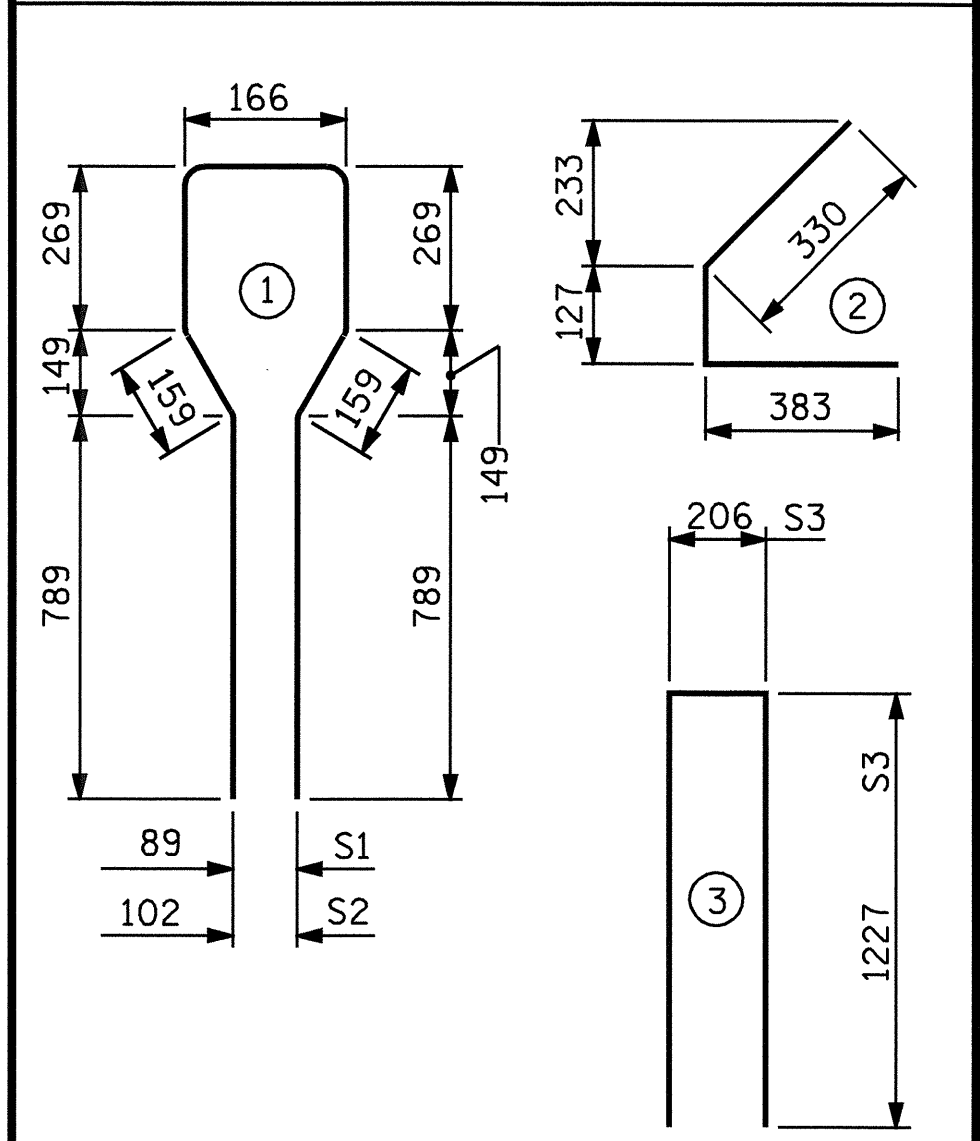
ELEVATION OF GIRDER

12.70mm Ø L. R. GRADE 270 STRANDS		
AREA (mm ²)	ULTIMATE STRENGTH (kN PER STRAND)	APPLIED PRESTRESS (kN PER STRAND)
98.71	183.7	137.8

REINFORCING STEEL FOR ONE GIRDER					
BAR	NUMBER	SIZE	TYPE	LENGTH	WEIGHT
S1	74	#13	1	2600	191
S2	16	#19	1	2600	93
S3	4	#13	3	2660	11
S4	76	#13	2	840	63
*S6	8	#16	STR	1120	14

* NOTE: S6 BARS SHALL BE BENT BEFORE SHIPMENT. HEAT BENDING SHALL NOT BE ALLOWED.

BAR TYPES



QUANTITIES FOR ONE GIRDER			
GIRDER	REINFORCING STEEL	41.4 MPa CONCRETE	12.70mm Ø L.R. STRANDS
	kg	m ³	No.
GIRDER	372	7.1	28

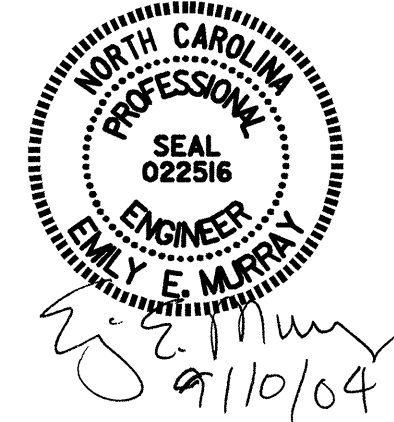
GIRDERS REQUIRED		
NUMBER	LENGTH	TOTAL LENGTH
4	19.540	78.160

PROJECT NO. R-2206C
 LINCOLN-CATAWBA COUNTY
 STATION: 256+91.000 -L-

SHEET 2 OF 3

STATE OF NORTH CAROLINA
 DEPARTMENT OF TRANSPORTATION
 RALEIGH
 STANDARD
 AASHTO TYPE III
 PRESTRESSED CONCRETE GIRDER
 CONTINUOUS FOR LIVE LOAD
 FOR SPAN "B"
 RIGHT LANE

REVISIONS					SHEET NO.
NO.	BY:	DATE:	NO.	BY:	DATE:
1			3		
2			4		
					TOTAL SHEETS 374



ASSEMBLED BY : PEGGY ADKINS DATE : 2-04
 CHECKED BY : W. D. CRUTCHER DATE : 2-04
 DRAWN BY : ELR 8/91 REV. 5/16/97 EEM/RGW
 CHECKED BY : GRP 8/91 REV. 7/17/98 RWW/LES
 REV. 10/17/00 RWW/LES