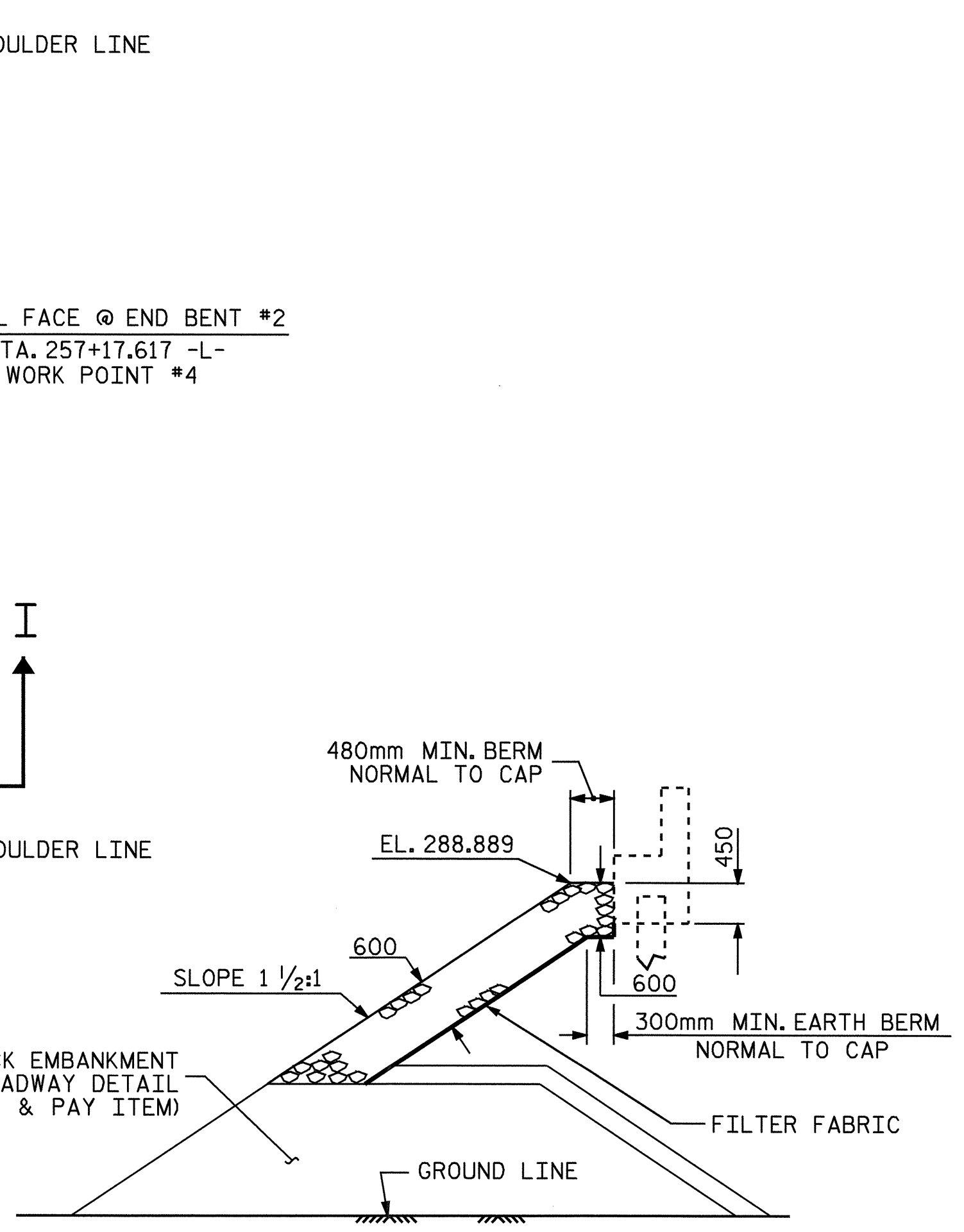
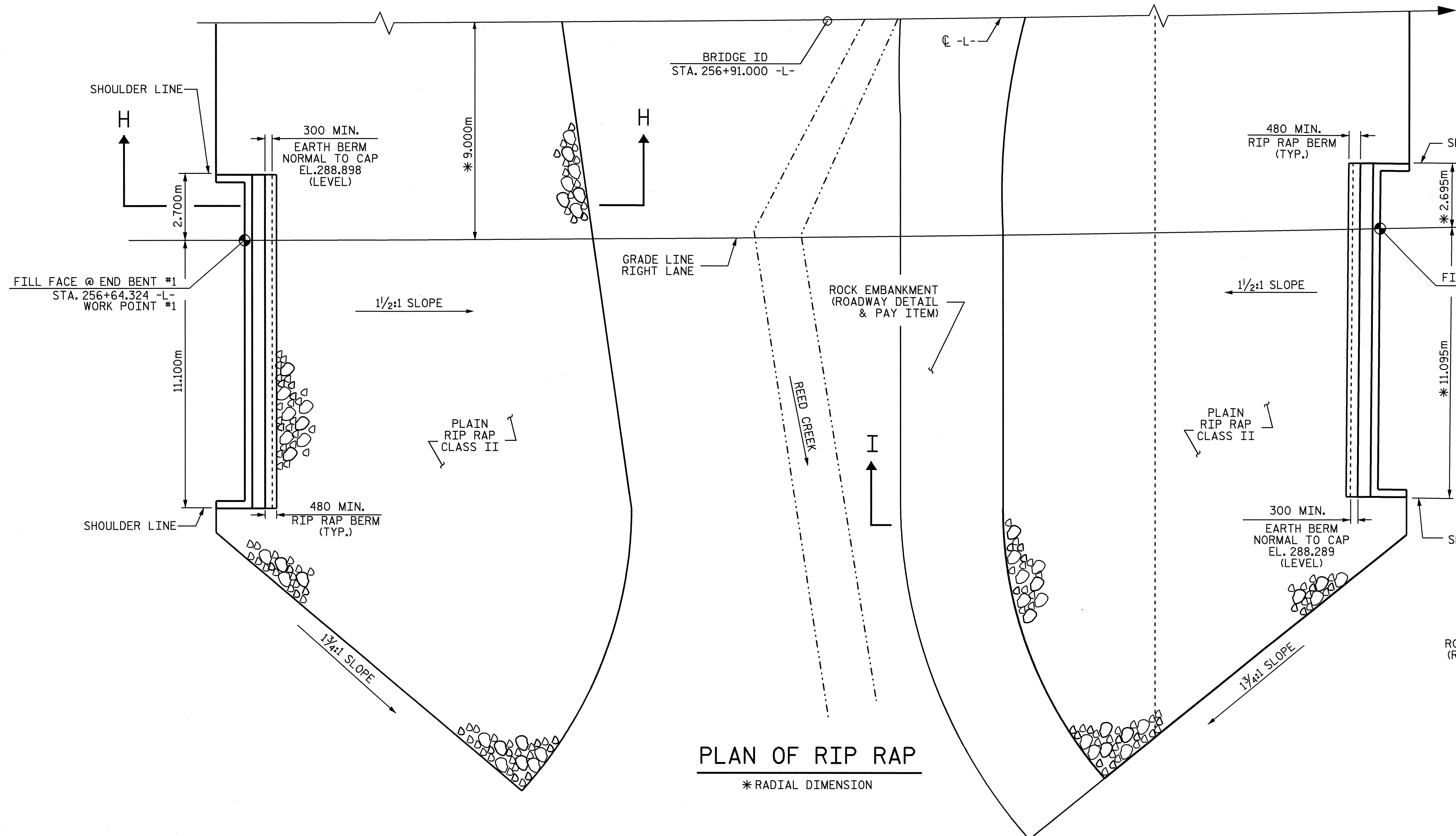
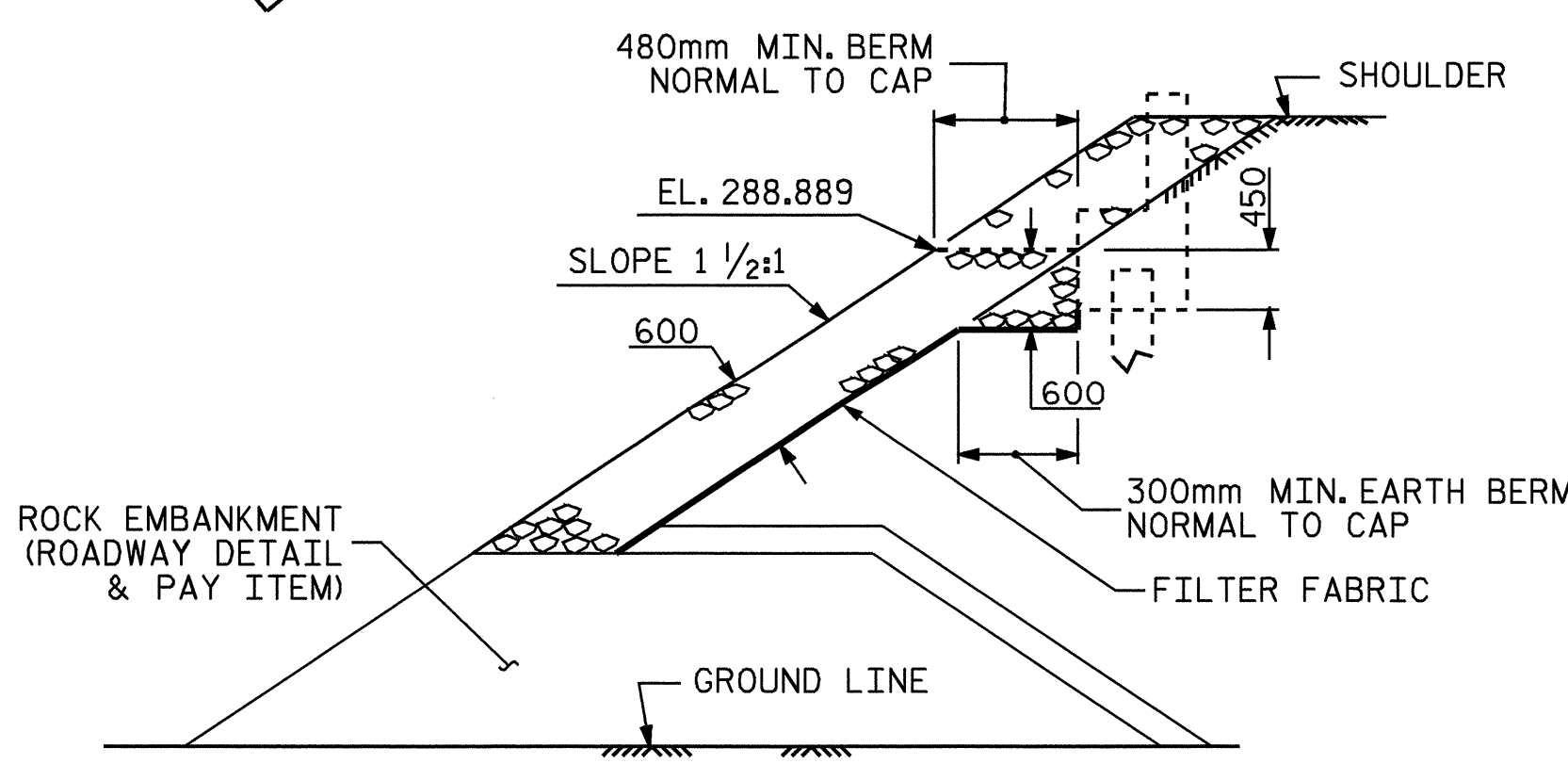
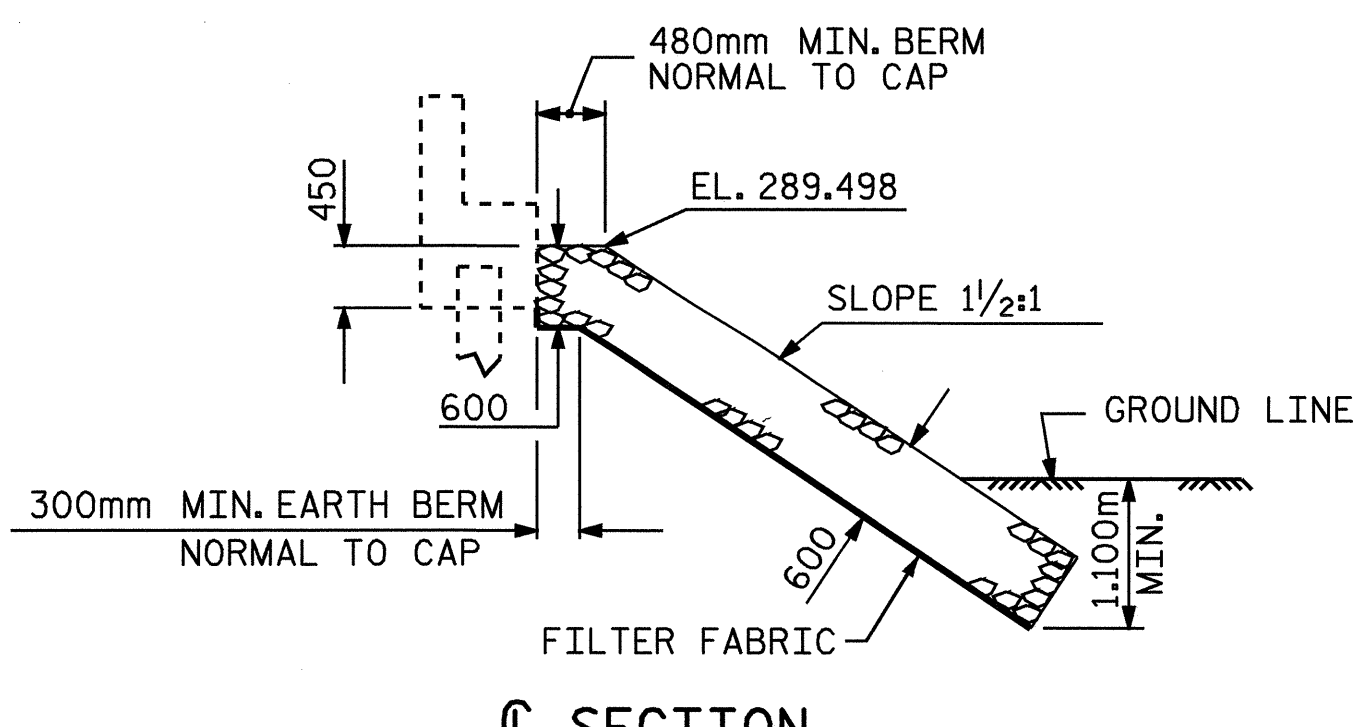
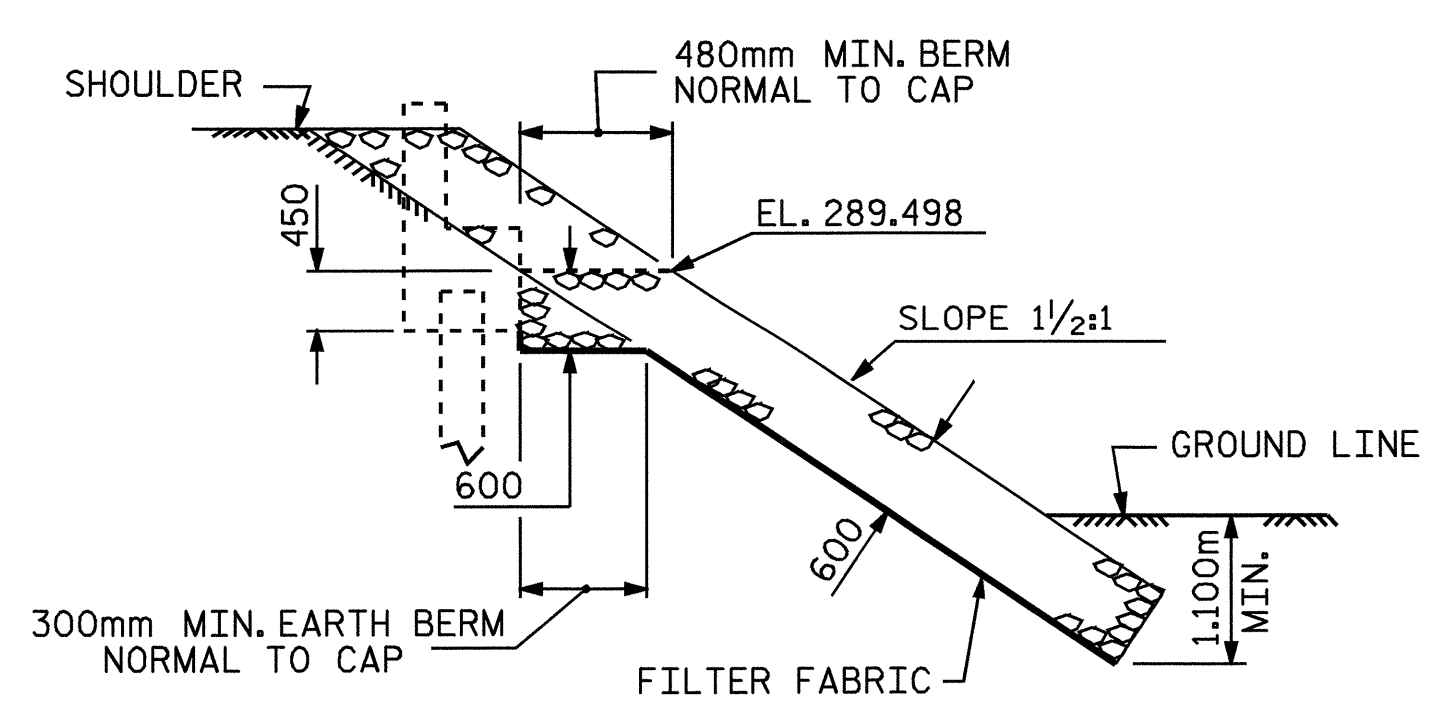


ESTIMATED QUANTITIES		
BRIDGE @ STA. 256+91.000 -L- RIGHT LANE	PLAIN RIP RAP CLASS II	FILTER FABRIC FOR DRAINAGE
	METRIC TON	SQUARE METERS
END BENT 1	525	536
END BENT 2	510	520



PLAN OF RIP RAP
* RADIAL DIMENSION

SECTION I-I
BERM RIP RAPPED
(@ END BENT #2)



SECTION H-H
(@ END BENT #1)

SECTION H-H
BERM RIP RAPPED
(@ END BENT #1)

SECTION I-I
(@ END BENT #2)

PROJECT NO. R-2206C
LINCOLN-CATAWBA COUNTY
STATION: 256+91.000 -L-



STATE OF NORTH CAROLINA DEPARTMENT OF TRANSPORTATION RALEIGH					
RIP RAP DETAILS RIGHT LANE					
REVISIONS					
NO.	BY:	DATE:	NO.	BY:	DATE:
1			3		
2			4		

DRAWN BY : C. MILLER DATE : 11-03
CHECKED BY : T.L. AVERETTE DATE : 04-04

09-SEP-2004 06:58
W:\squad\2206c\Final Plans\Str. I2\R2206C-SD-RR-I2.dgn
dorutcher

SHEET NO.
5-367
TOTAL SHEETS
374