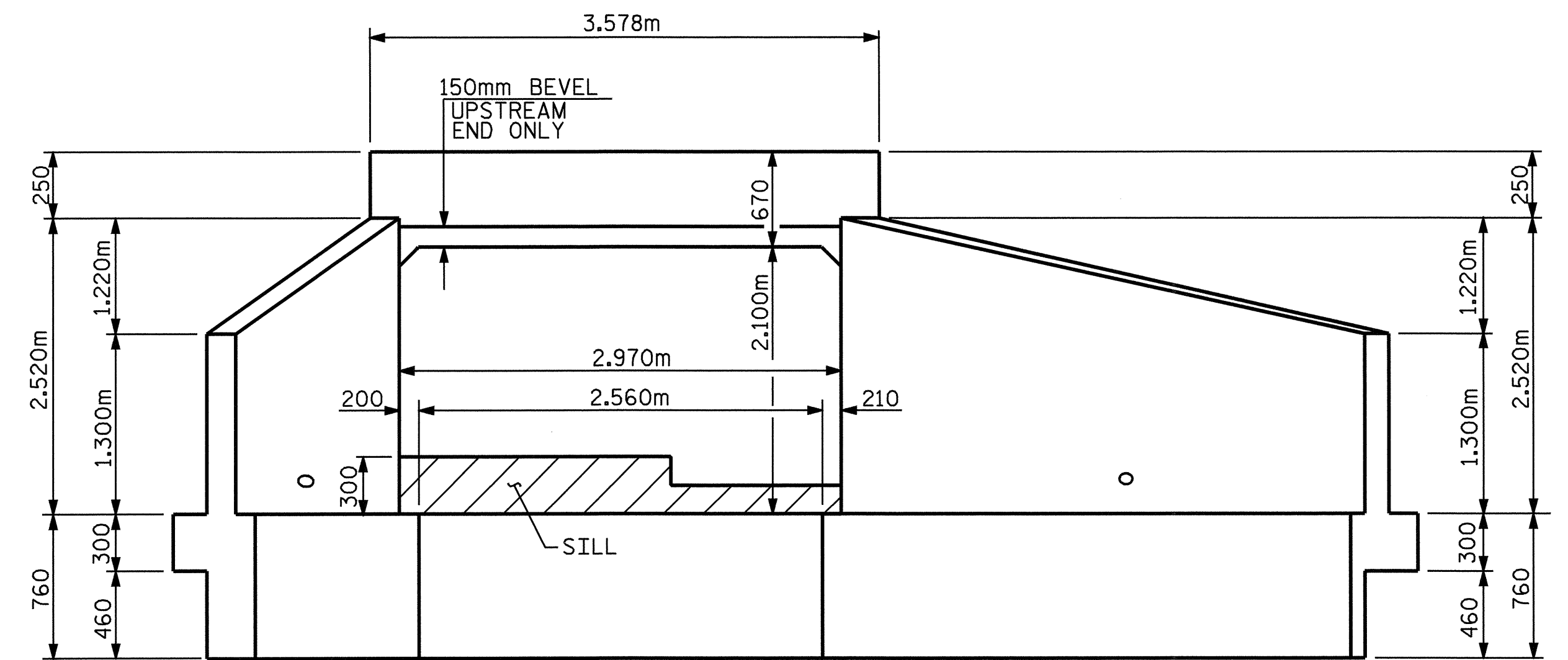
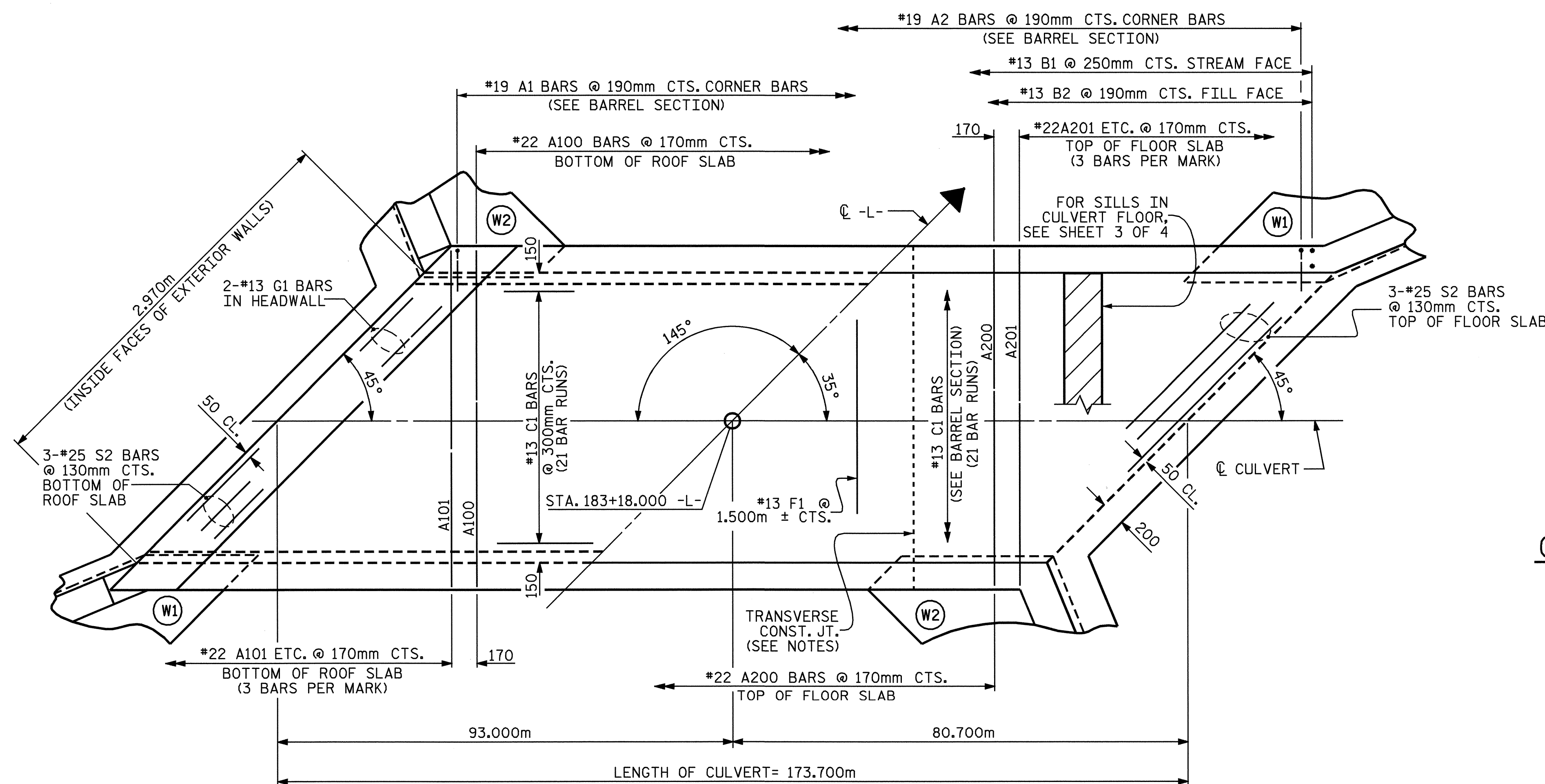


CULVERT SECTION NORMAL TO ROADWAY

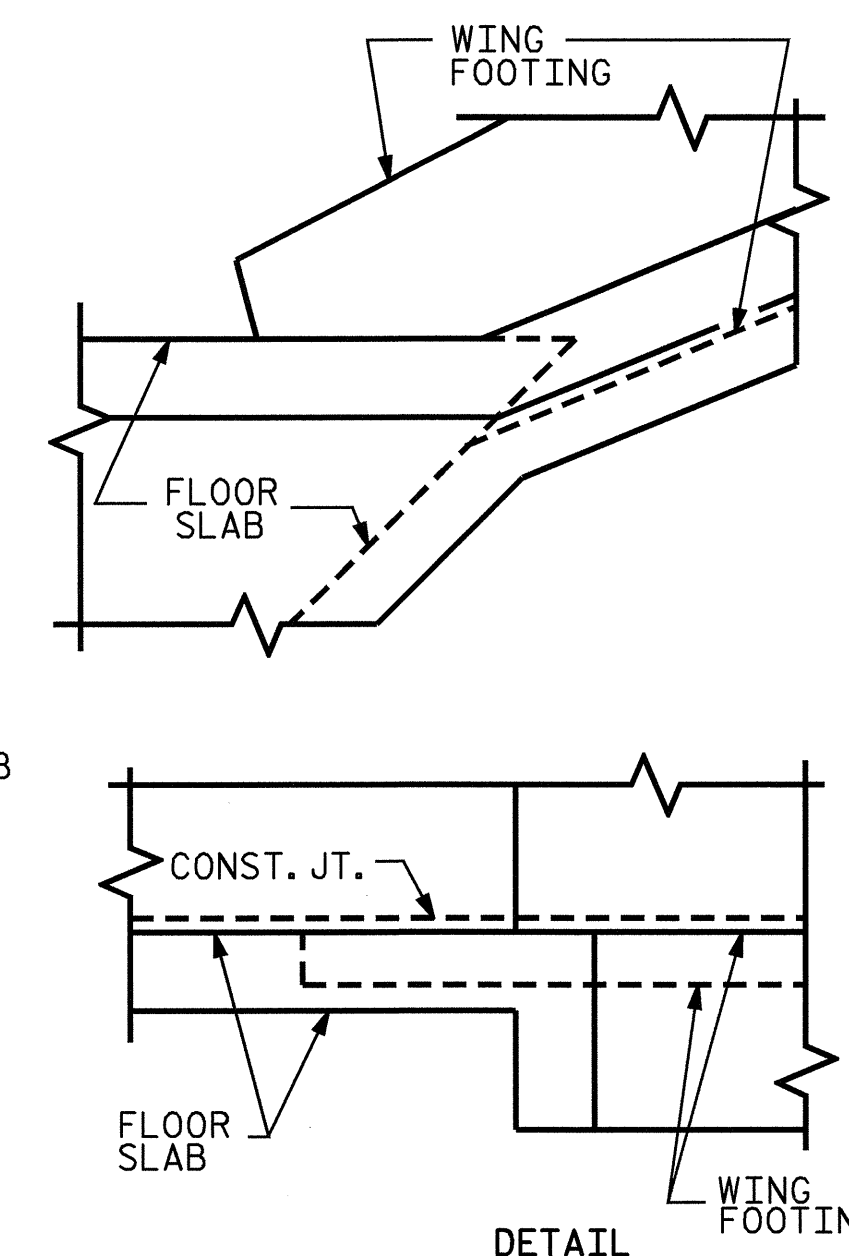


END ELEVATION NORMAL TO SKEW



PART PLAN - ROOF SLAB

PART PLAN - FLOOR SLAB

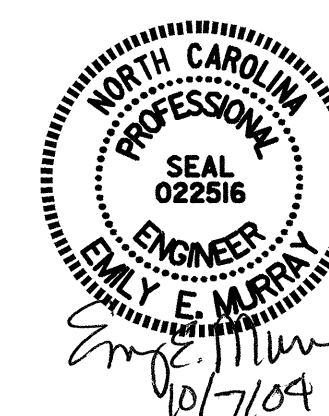


CONNECTION OF WING FOOTING AND FLOOR SLAB WHEN SLAB IS THICKER THAN FOOTING

PROJECT NO. R-2206C
LINCOLN-CATAWBA COUNTY
 STATION: 183+18.000 -L-

SHEET 2 OF 4

STATE OF NORTH CAROLINA
 DEPARTMENT OF TRANSPORTATION
 RALEIGH
 SINGLE BARREL
 2.100m X 2.100m
 CONCRETE BOX CULVERT
 35° SKEW



ASSEMBLED BY : W.D. CRUTCHER DATE : 10-4-04
 CHECKED BY : M.M. PARSONS DATE : 10-5-04
 DRAWN BY : EEM 6/97
 CHECKED BY : ARB 7/97

REVISIONS						SHEET NO.	
NO.	BY:	DATE:	NO.	BY:	DATE:	C-2	
1			3			TOTAL SHEETS	
2			4			9	