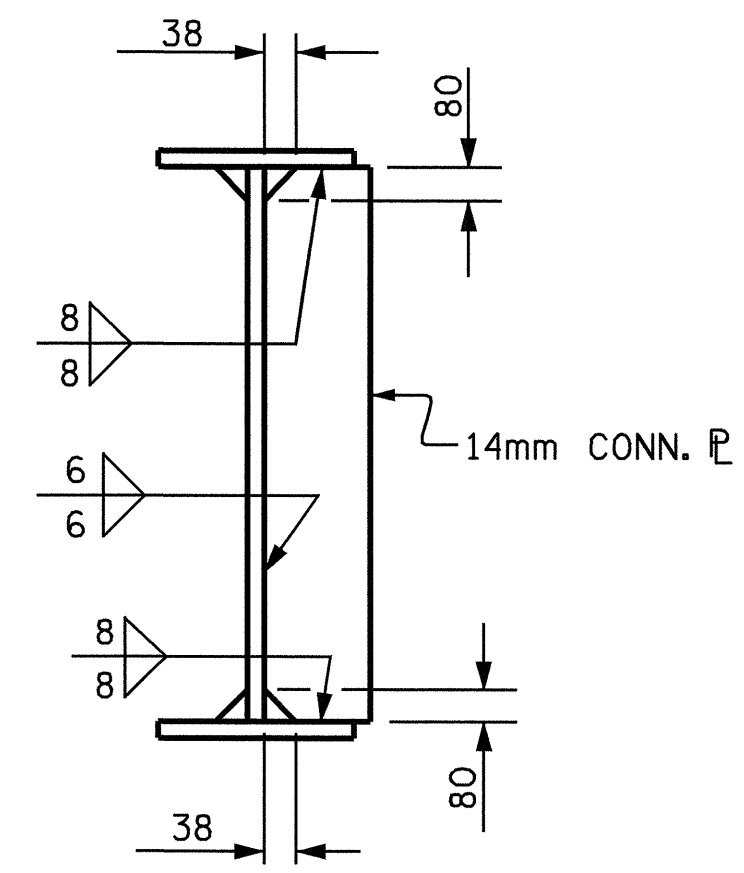
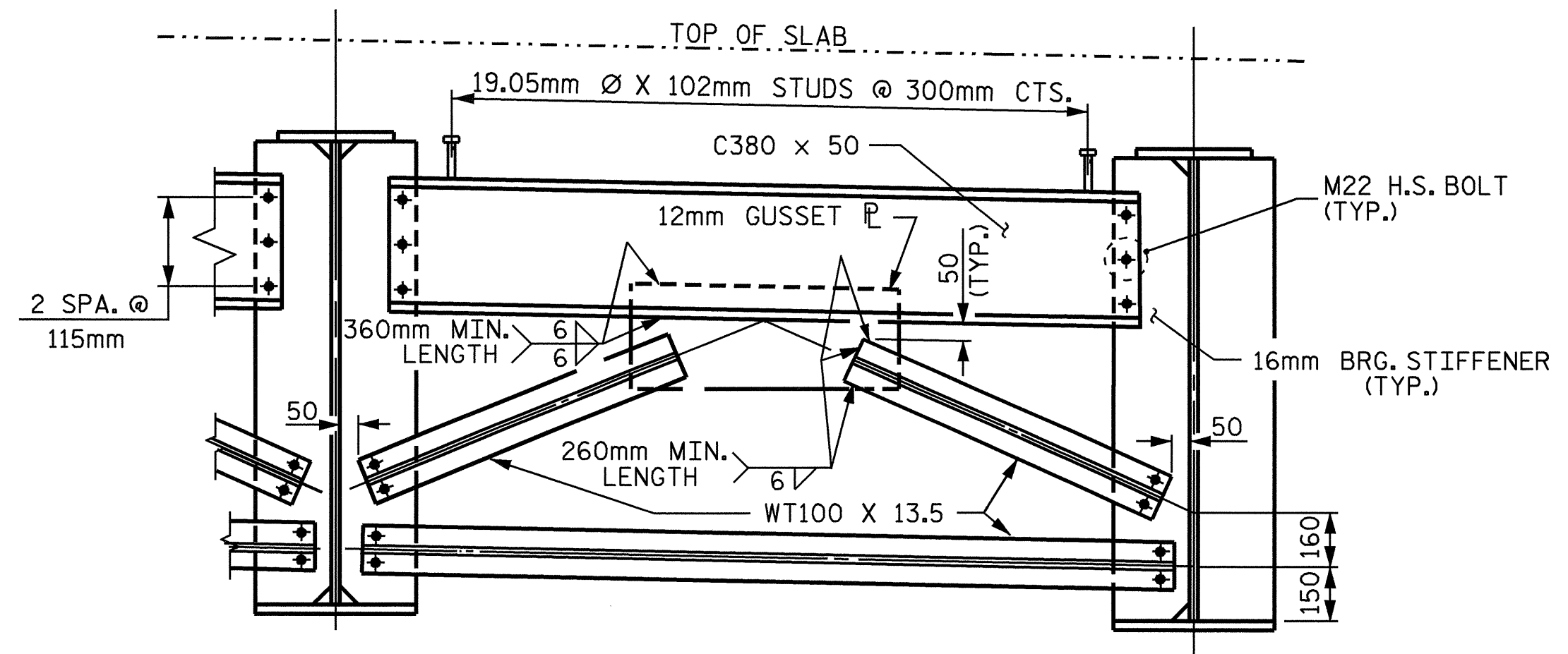


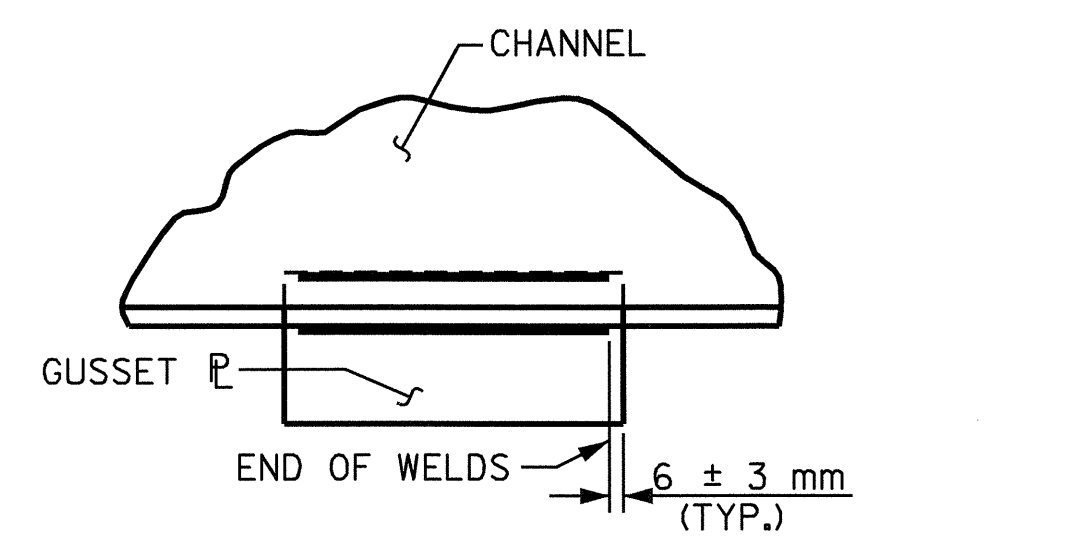
BEARING STIFFENER
 (AT BENT & END BENTS)



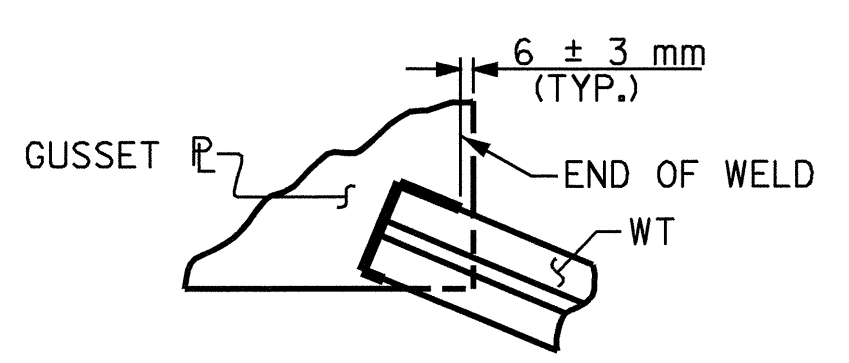
INTERMEDIATE DIAPHRAGM CONNECTOR



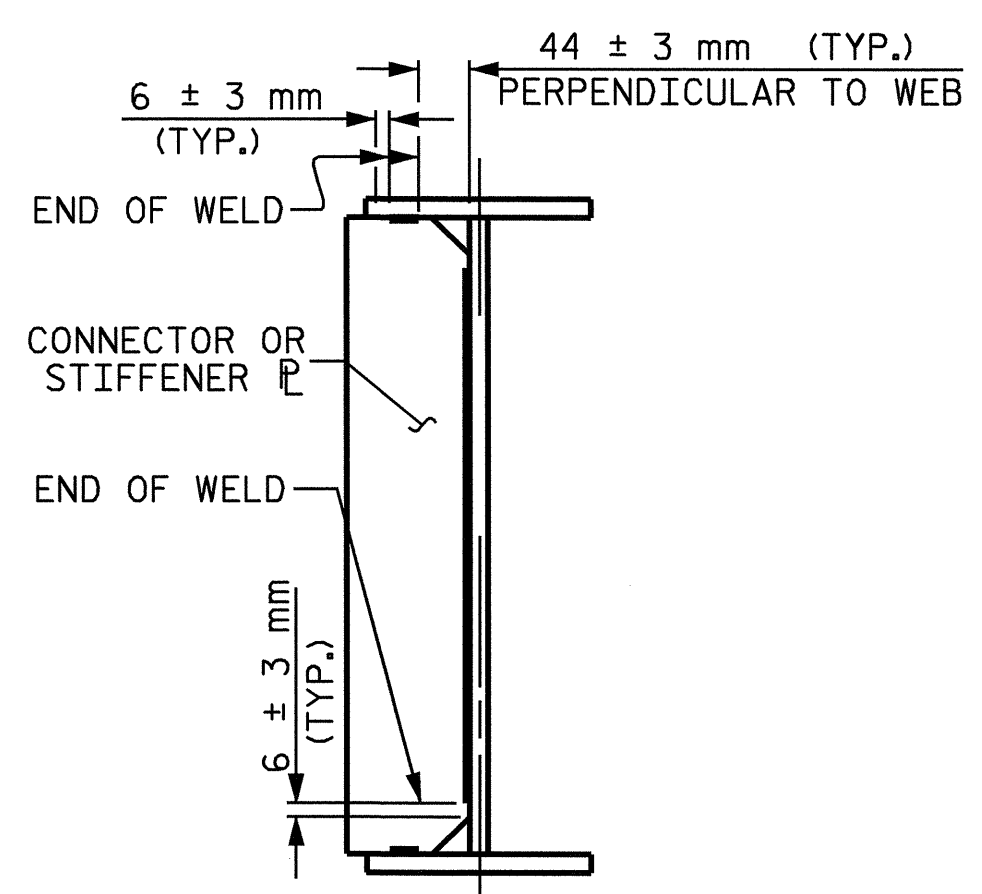
TYPICAL END BENT DIAPHRAGM



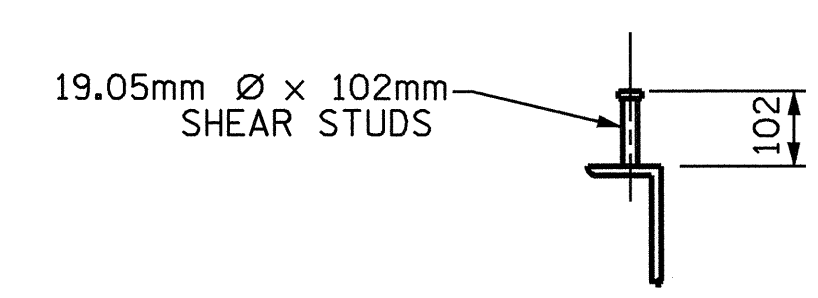
TYPICAL GUSSET PLATE CONNECTION



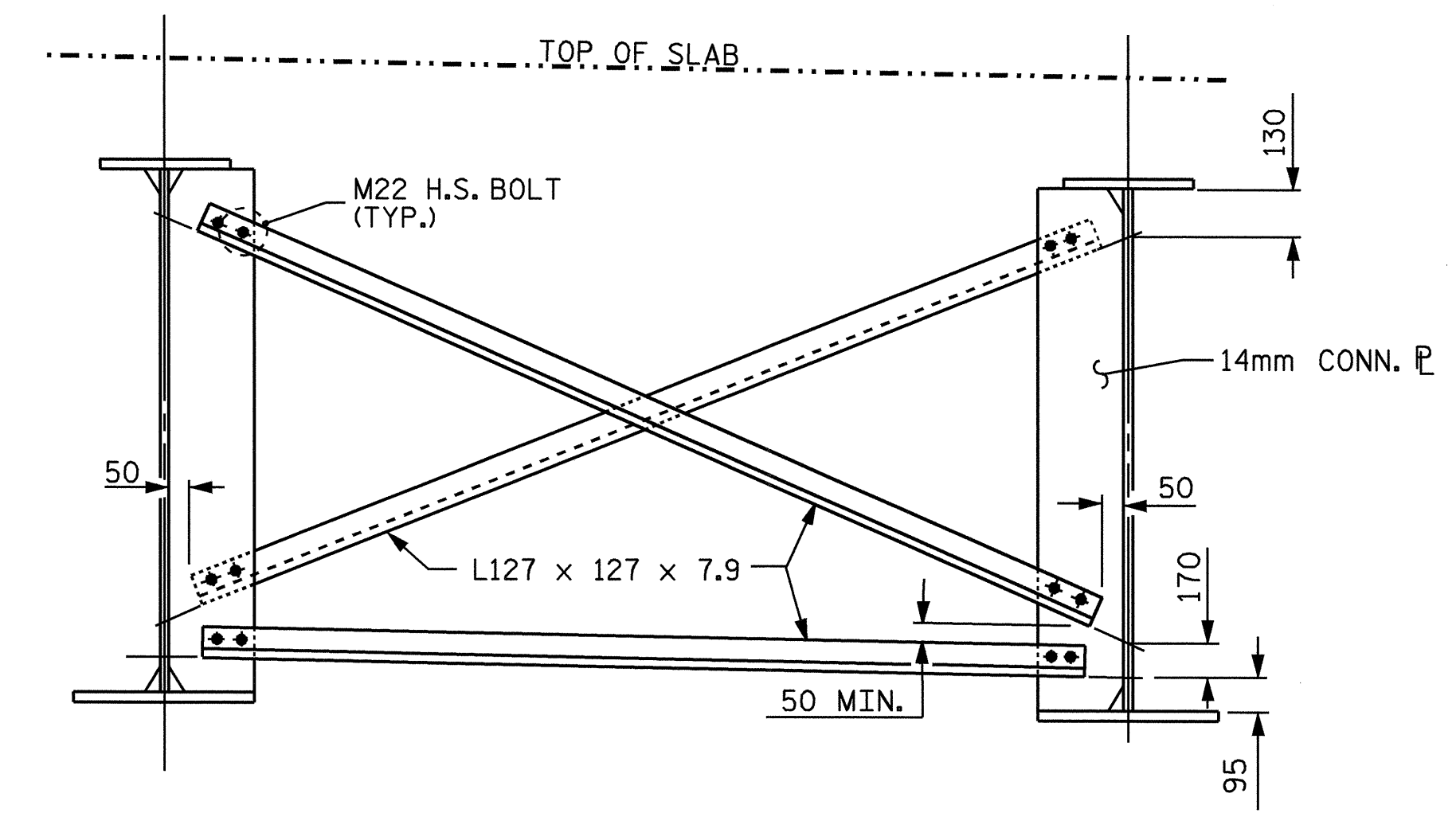
TYPICAL "TEE" TO GUSSET PLATE CONNECTION



TYPICAL STIFFENER OR CONNECTOR PLATE CONNECTIONS

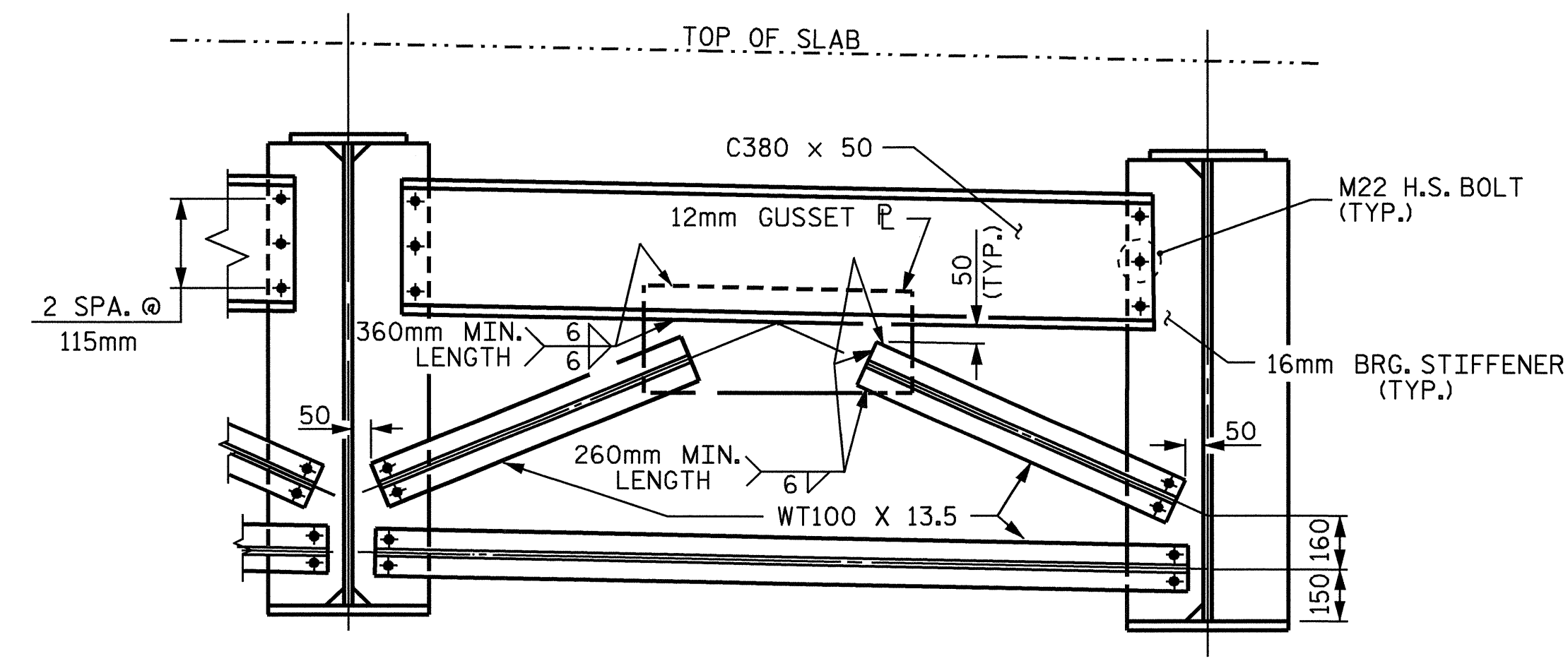


SHEAR STUD DETAILS
 (ON CHANNELS @ END BENTS ONLY)

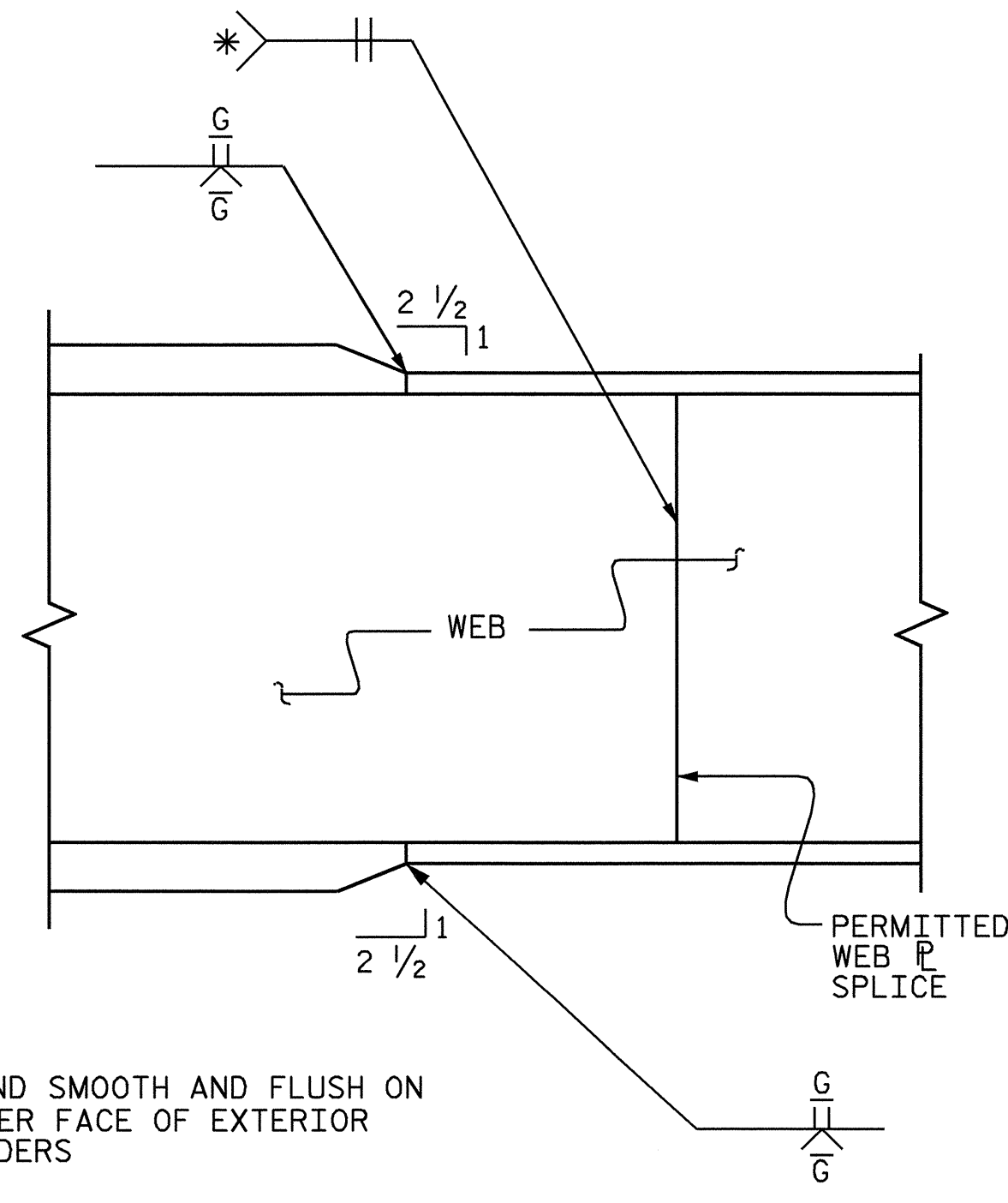


TYPICAL INTERMEDIATE DIAPHRAGM

WELD TERMINATION DETAILS



TYPICAL BENT DIAPHRAGM
 (NO SHEAR STUDS ON CHANNEL)



* GRIND SMOOTH AND FLUSH ON OUTER FACE OF EXTERIOR GIRDERS

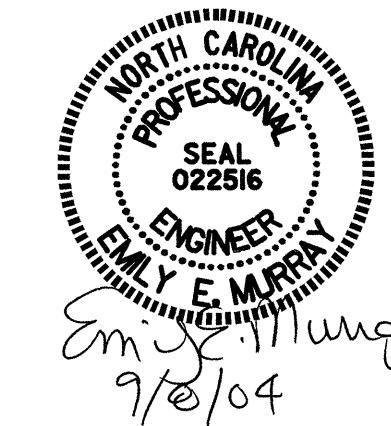
ELEVATION

TYPICAL FLANGE AND WEB BUTT JOINT

PROJECT NO. R-2206C
 LINCOLN-CATAWBA COUNTY
 STATION: 195+74.885 -L-

SHEET 2 OF 2

STATE OF NORTH CAROLINA DEPARTMENT OF TRANSPORTATION RALEIGH						SHEET NO. S-12
SUPERSTRUCTURE						
STRUCTURAL STEEL DETAILS						TOTAL SHEETS 374
REVISIONS						
NO.	BY:	DATE:	NO.	BY:	DATE:	SHEET NO. S-12 TOTAL SHEETS 374
1			3			
2			4			



DRAWN BY: M. M. PARSONS DATE: 12/2/03
 CHECKED BY: P. ADKINS DATE: 2/04