

**NOTES**

PROVIDE 32mm HIGH BEAM BOLSTERS UPPER AT 1.2m CTS. ATOP THE METAL STAY-IN-PLACE FORMS TO SUPPORT THE BOTTOM MAT OF 'A' BARS.

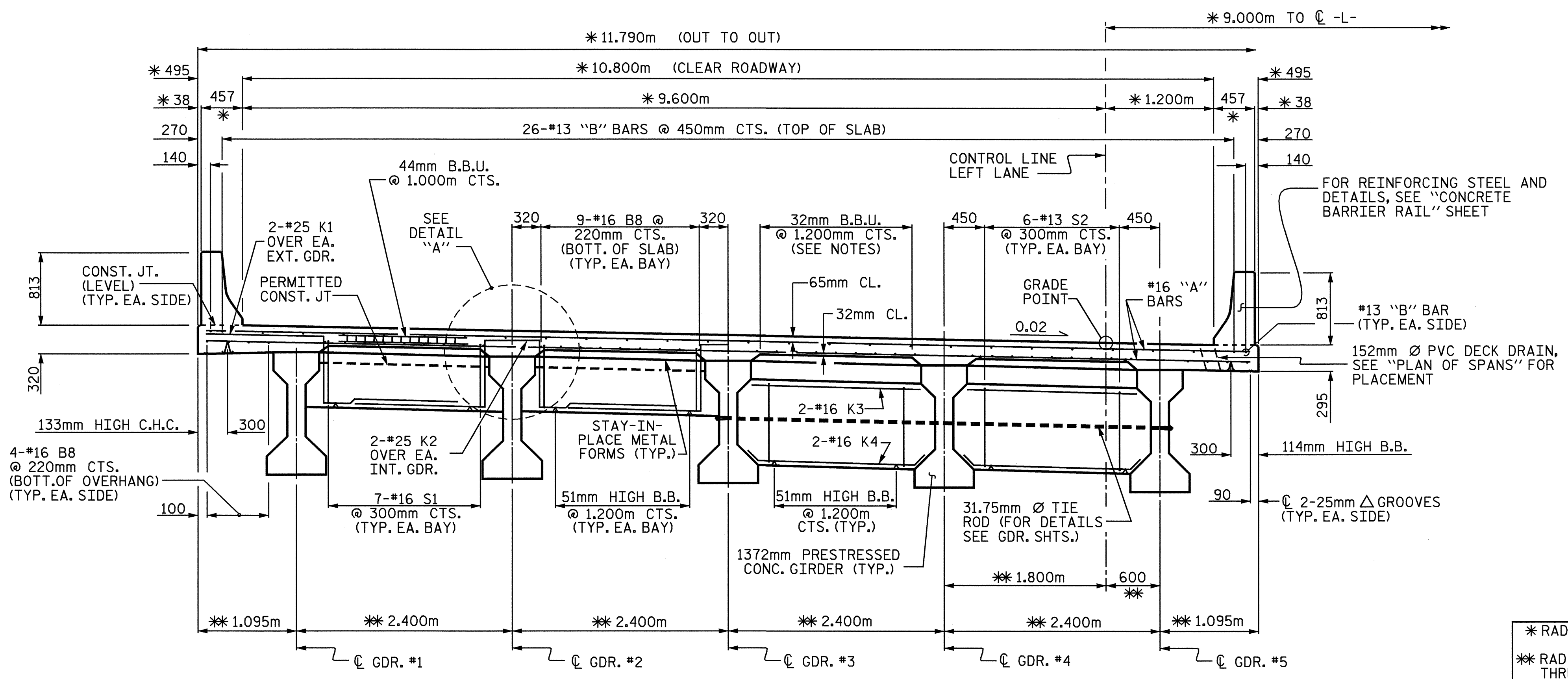
LONGITUDINAL STEEL MAY BE SHIFTED SLIGHTLY, AS NECESSARY, TO AVOID INTERFERENCE WITH STIRRUPS IN PRESTRESSED CONCRETE GIRDERS.

BARRIER RAIL IN EACH SPAN SHALL NOT BE CAST UNTIL ALL SLAB CONCRETE IN THAT SPAN HAS BEEN CAST AND HAS REACHED A MINIMUM COMPRESSIVE STRENGTH OF 20.7 MPa.

PREVIOUSLY CAST CONCRETE IN A CONTINUOUS UNIT SHALL HAVE ATTAINED A MINIMUM COMPRESSIVE STRENGTH OF 20.7 MPa BEFORE ADDITIONAL CONCRETE IS CAST IN THE UNIT.

TEMPORARY STRUTS SHALL BE PLACED BETWEEN PRESTRESSED GIRDERS ADJACENT TO THE DIAPHRAGMS AND THE NUTS ON THE 31.75mm DIA. TIE RODS SHALL BE FULLY TIGHTENED BEFORE THE DIAPHRAGMS ARE CAST. STRUTS SHALL REMAIN IN PLACE 3 DAYS AFTER CONCRETE IS PLACED. THE TIE RODS SHALL BE RE-TIGHTENED AFTER THE STRUTS HAVE BEEN REMOVED.

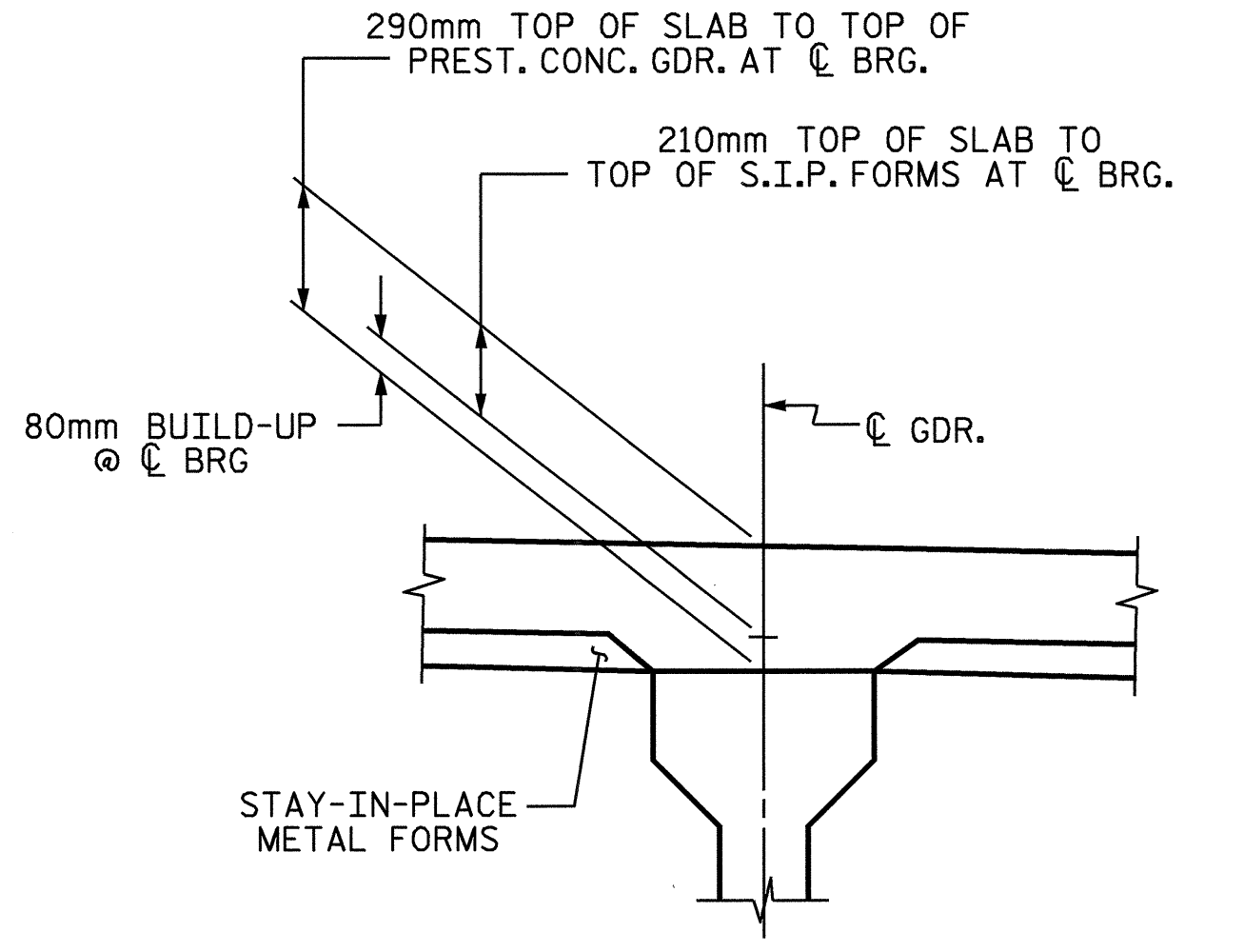
CONCRETE IN INTERMEDIATE DIAPHRAGMS MAY BE CLASS A IN LIEU OF CLASS AA. PAYMENT SHALL BE MADE UNDER THE UNIT CONTRACT PRICE FOR REINFORCED CONCRETE DECK SLAB.



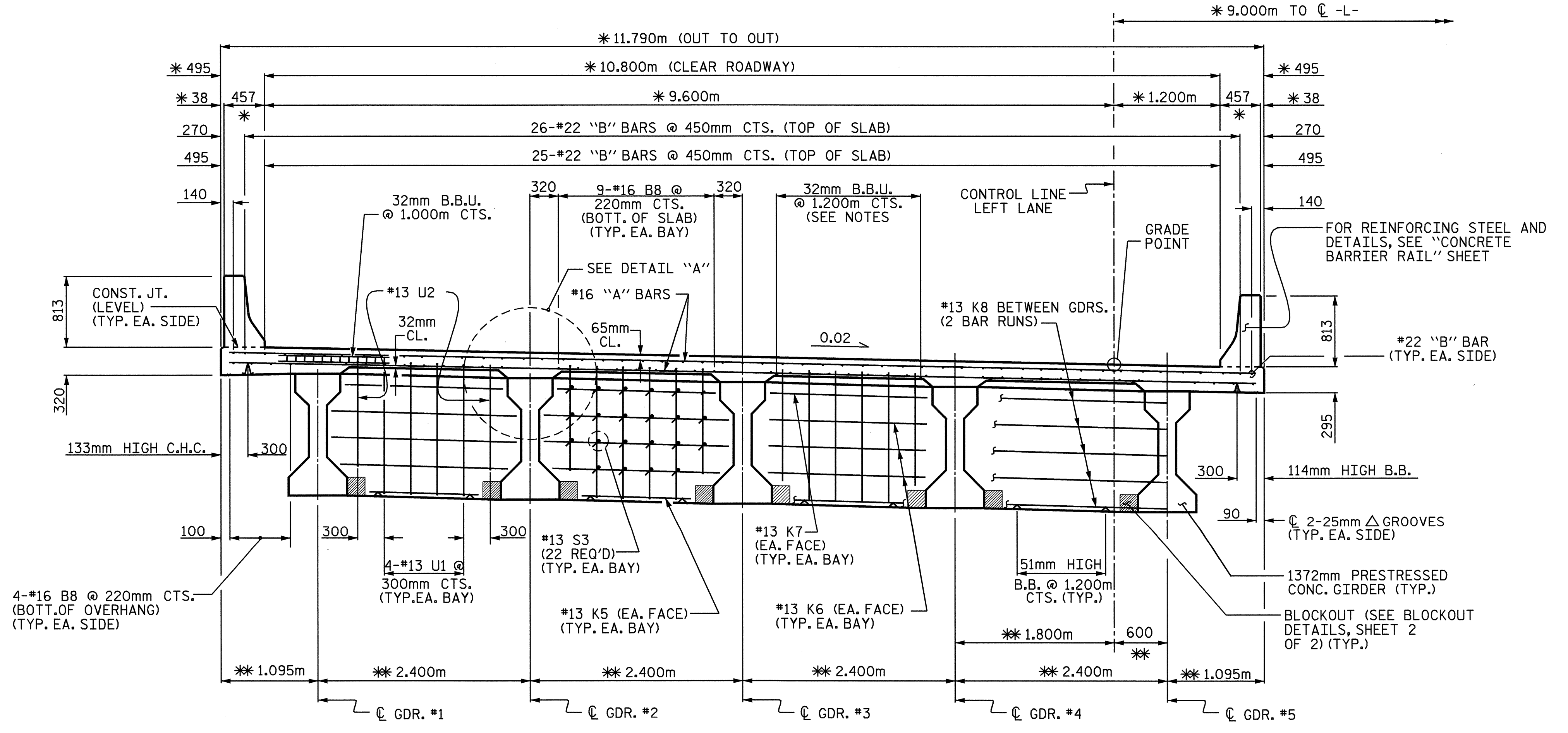
**HALF TYPICAL SECTION**  
(SHOWING END BENT DIAPHRAGMS)

**HALF TYPICAL SECTION**  
(SHOWING INTERMEDIATE DIAPHRAGMS)

\* RADIAL DIMENSION  
\*\* RADIAL DIMENSION THRU WORK POINT



**DETAIL "A"**



**TYPICAL SECTION**  
(SHOWING BENT DIAPHRAGMS)

PROJECT NO. R-2206C  
LINCOLN-CATAWBA COUNTY  
STATION: 199+48.000-L-

SHEET 1 OF 2

STATE OF NORTH CAROLINA  
DEPARTMENT OF TRANSPORTATION  
RALEIGH

**SUPERSTRUCTURE**  
**TYPICAL SECTION**  
**LEFT LANE**



| REVISIONS |     |       |     |     |       | SHEET NO.        |
|-----------|-----|-------|-----|-----|-------|------------------|
| NO.       | BY: | DATE: | NO. | BY: | DATE: | S-36             |
| 1         |     |       | 3   |     |       | TOTAL SHEETS 374 |
| 2         |     |       | 4   |     |       |                  |

DRAWN BY: M.D. PISO DATE: 6/03  
CHECKED BY: M.M. PARSONS DATE: 9/03