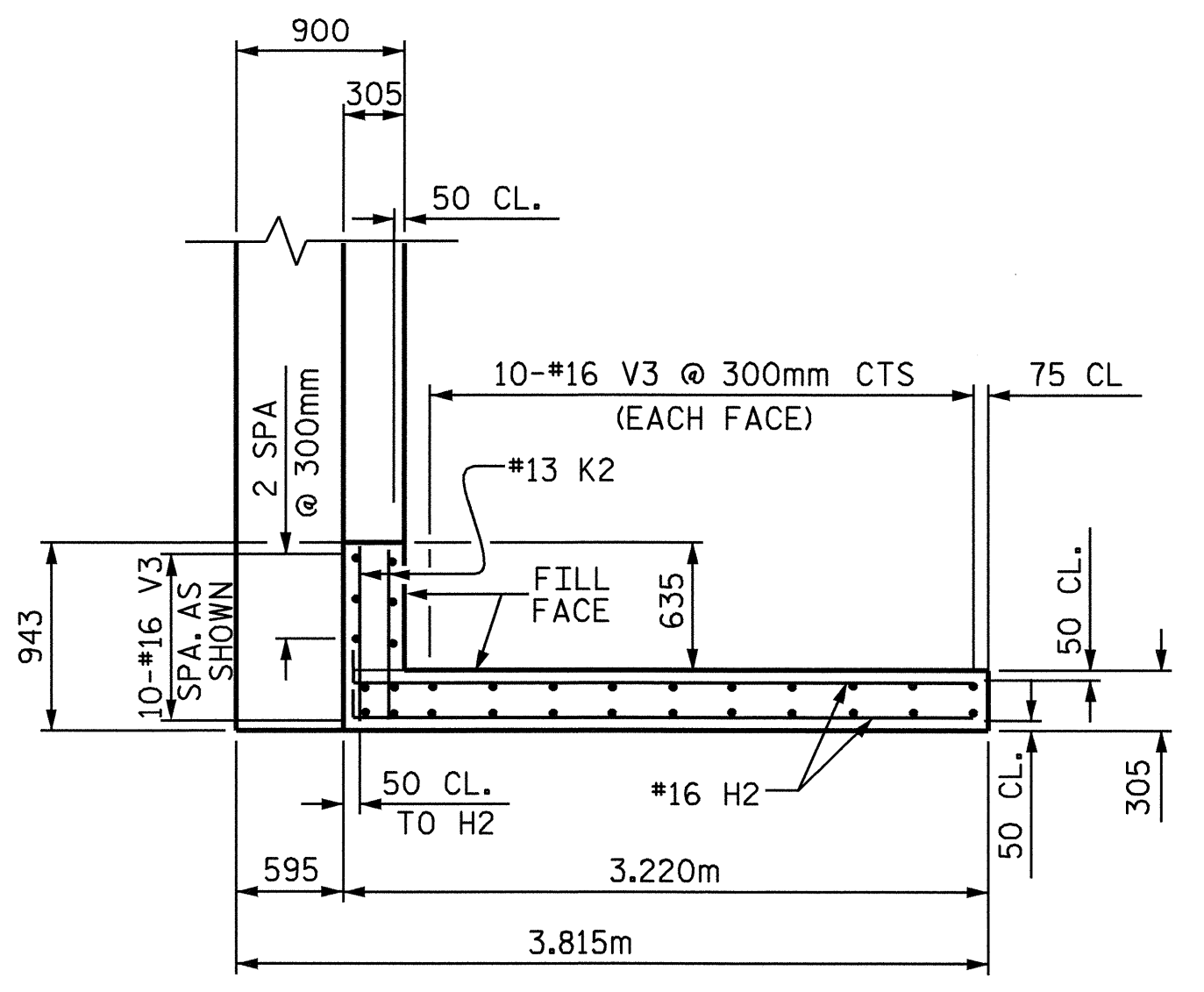
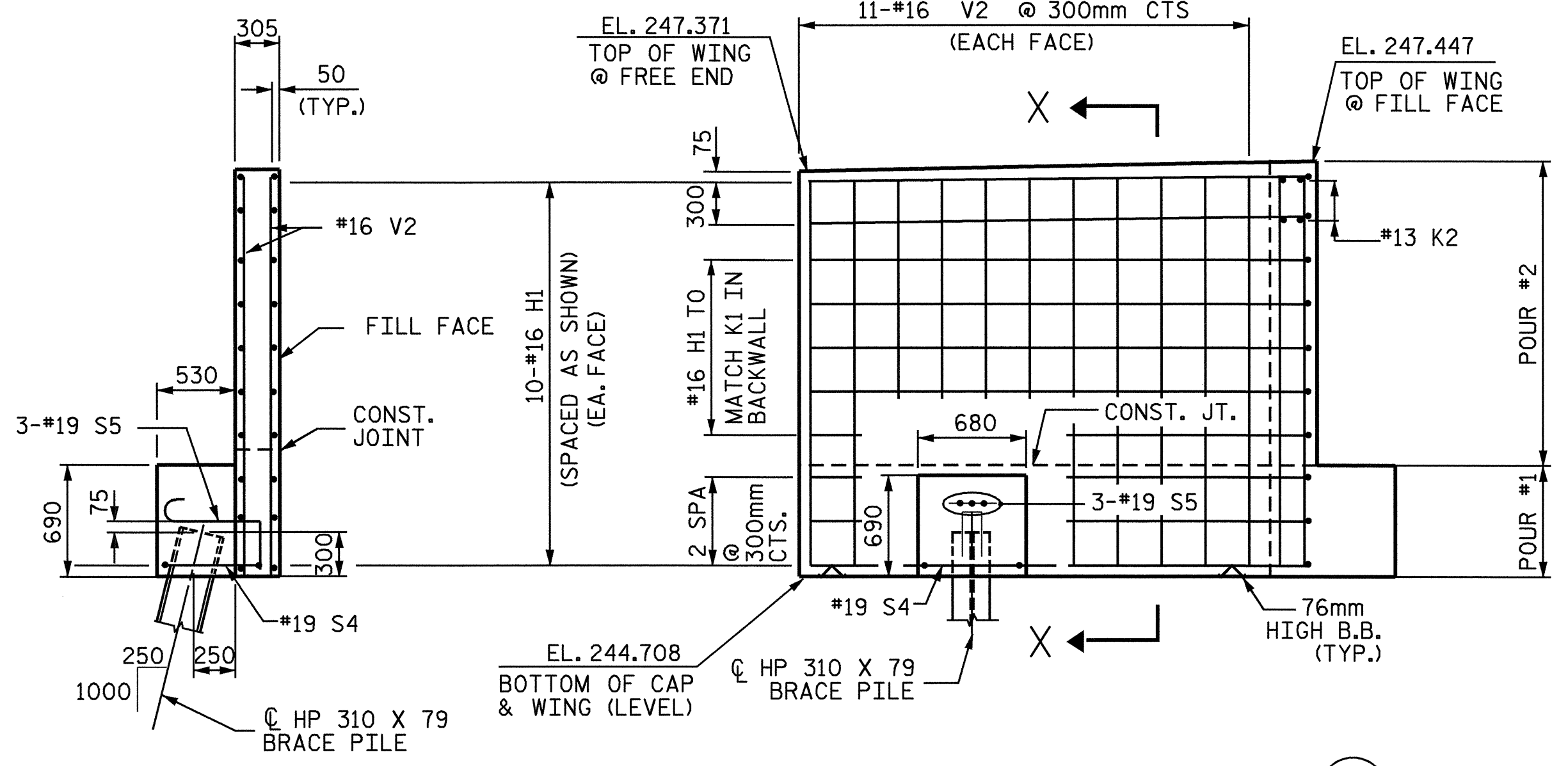


PLAN OF LEFT WING (W1)

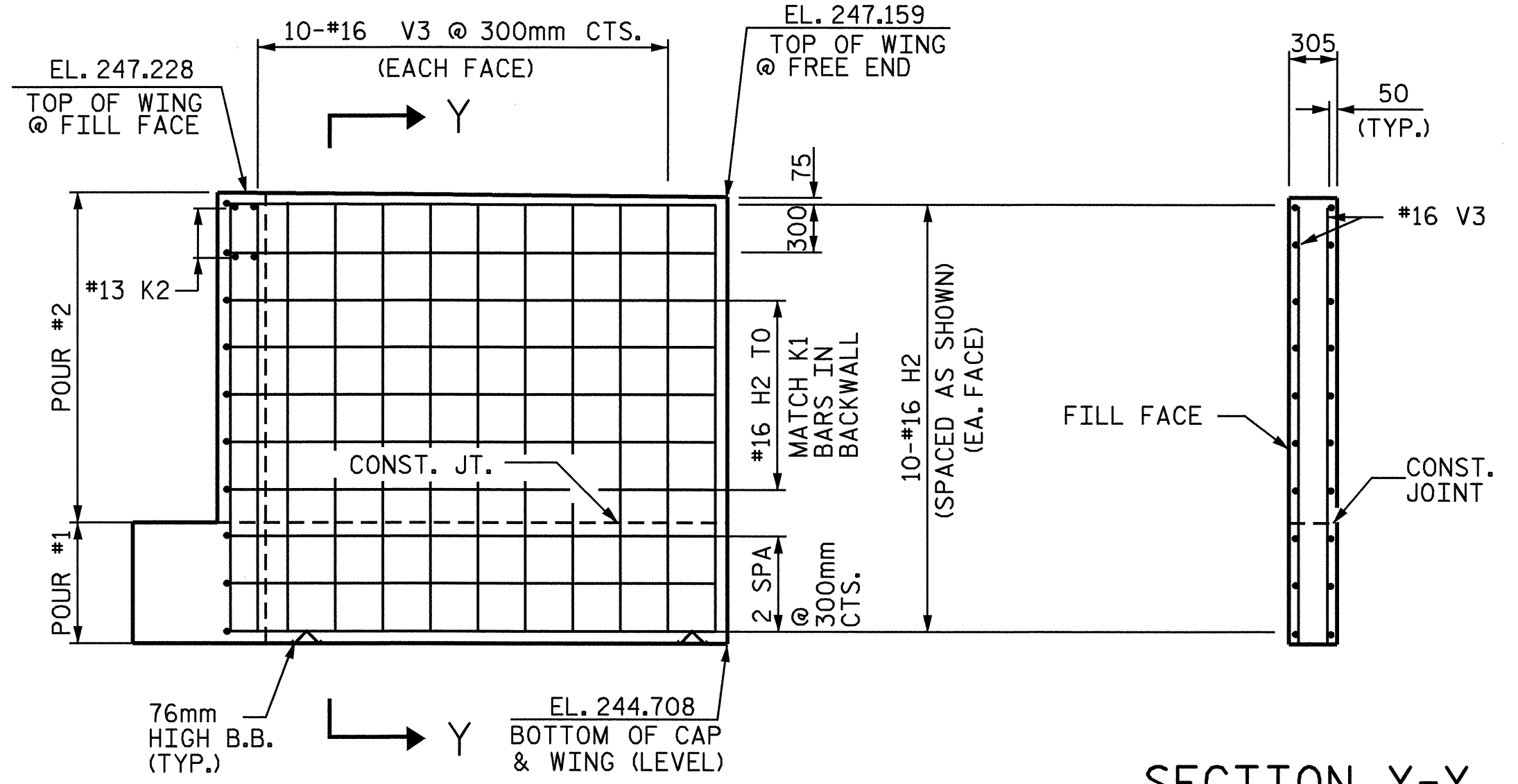


PLAN OF RIGHT WING (W2)



SECTION X-X

ELEVATION OF LEFT WING (W1)



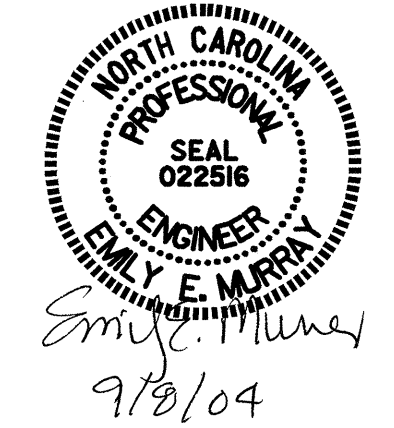
ELEVATION OF RIGHT WING (W2)

SECTION Y-Y

PROJECT NO. R-2206C
 LINCOLN-CATAWBA COUNTY
 STATION: 199+48.000 -L-

SHEET 2 OF 3

STATE OF NORTH CAROLINA
 DEPARTMENT OF TRANSPORTATION
 RALEIGH
 SUBSTRUCTURE
 END BENT #2
 LEFT LANE



REVISIONS						SHEET NO.
NO.	BY:	DATE:	NO.	BY:	DATE:	TOTAL SHEETS
1			3			374
2			4			

DRAWN BY: C. MILLER DATE: 05-04
 CHECKED BY: P. ADKINS DATE: 05-04