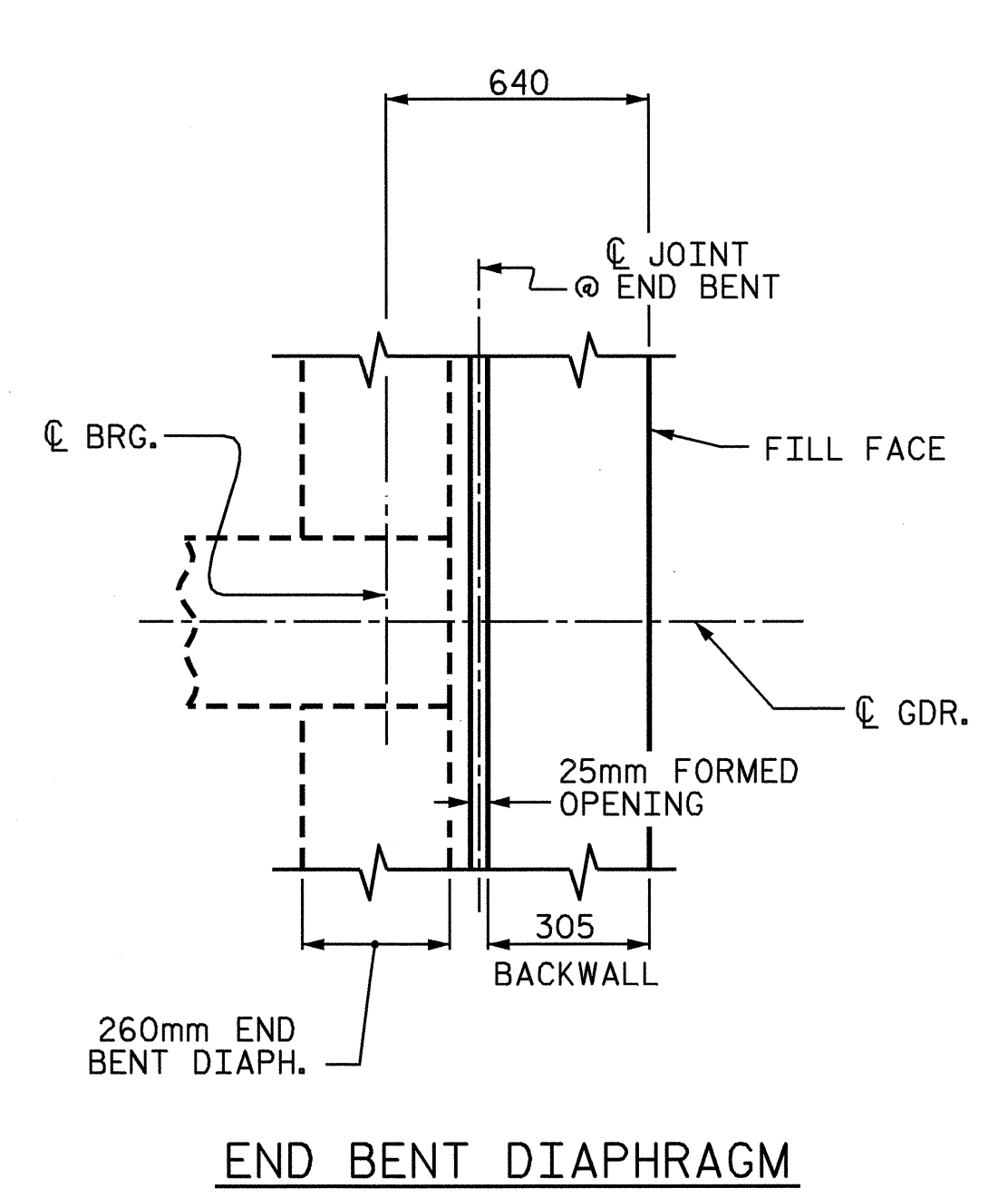
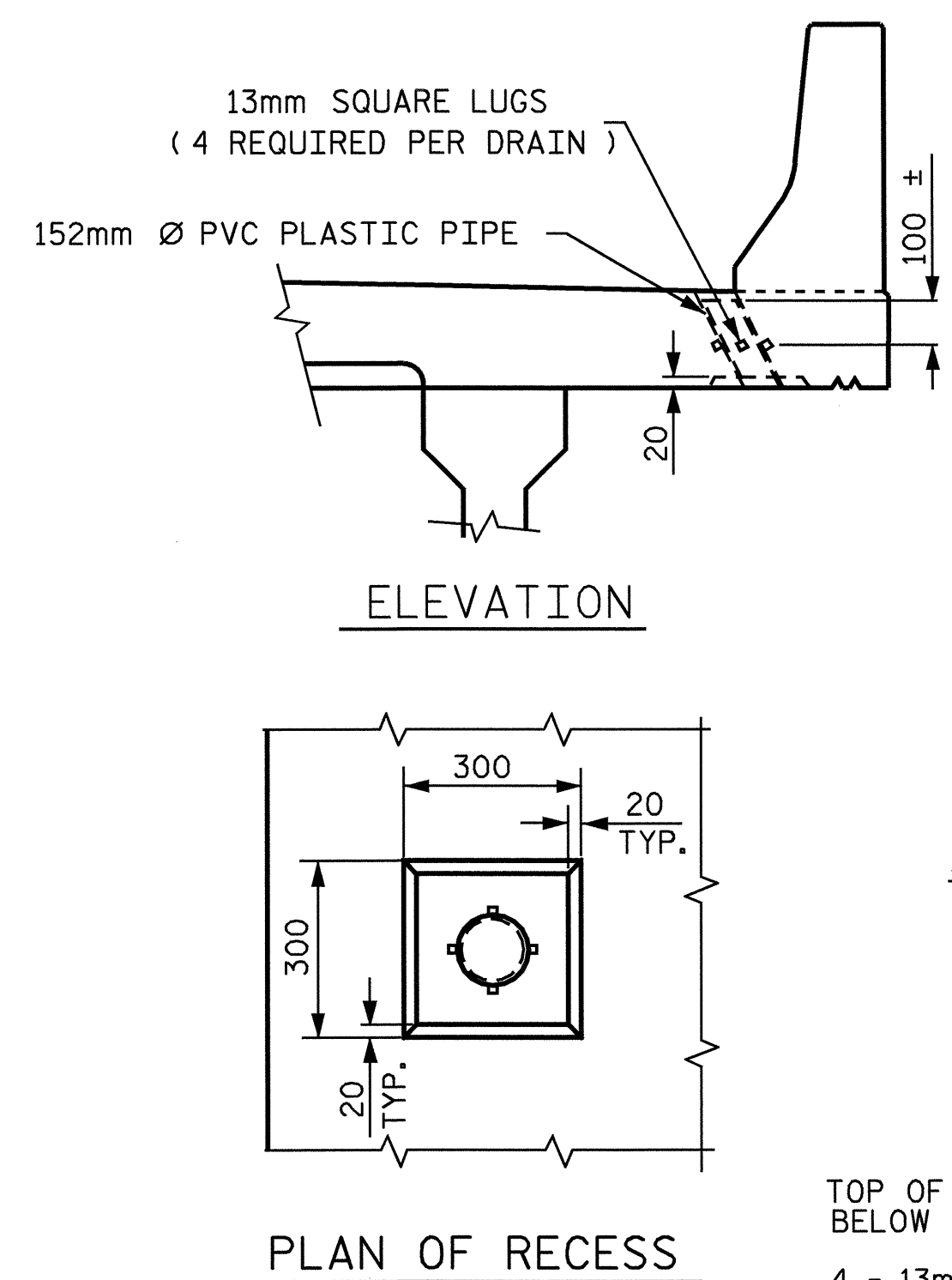


**BENT DIAPHRAGM BLOCK-OUT DETAIL**



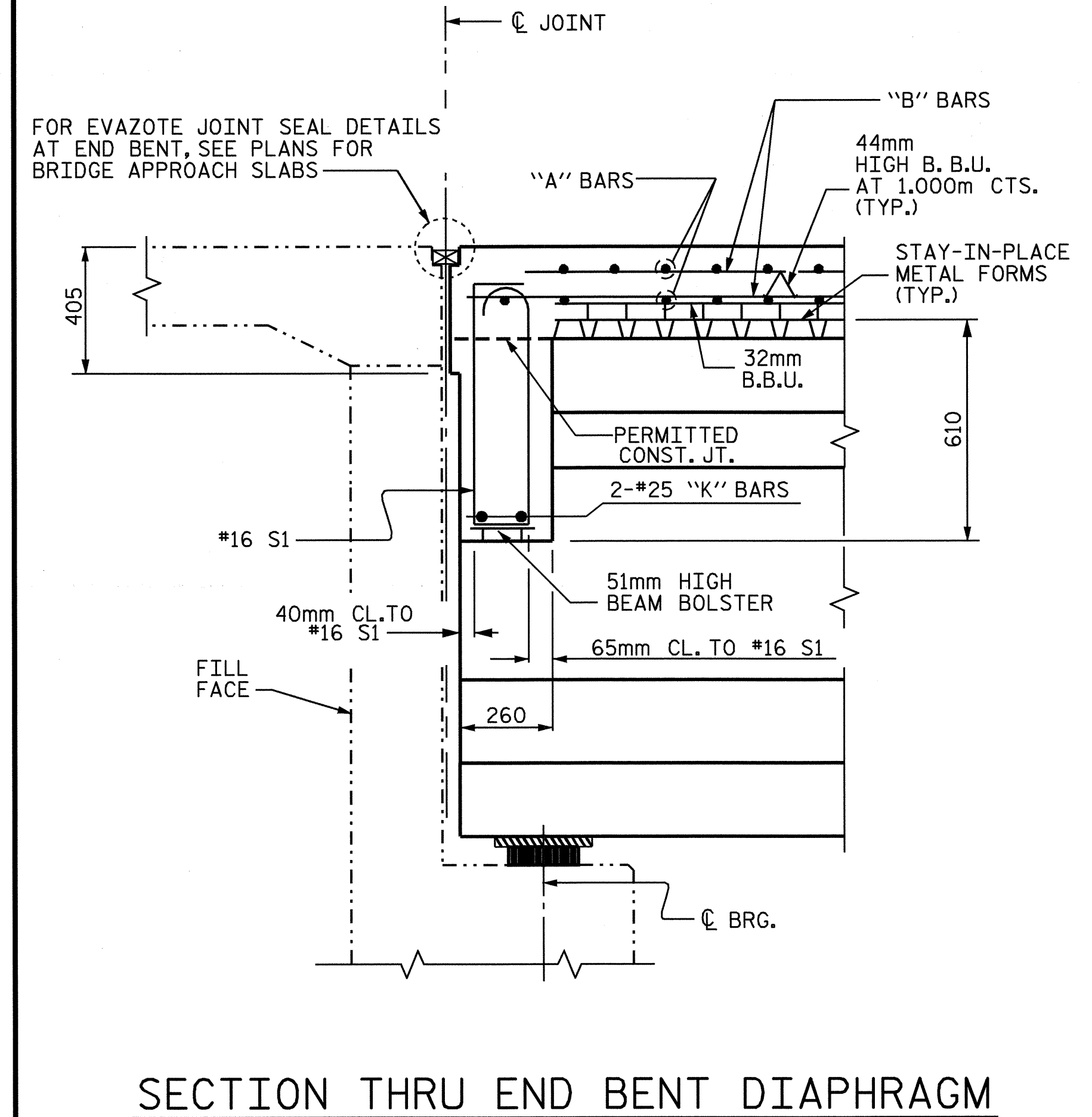
**PLAN OF END BENT DIAPHRAGM**



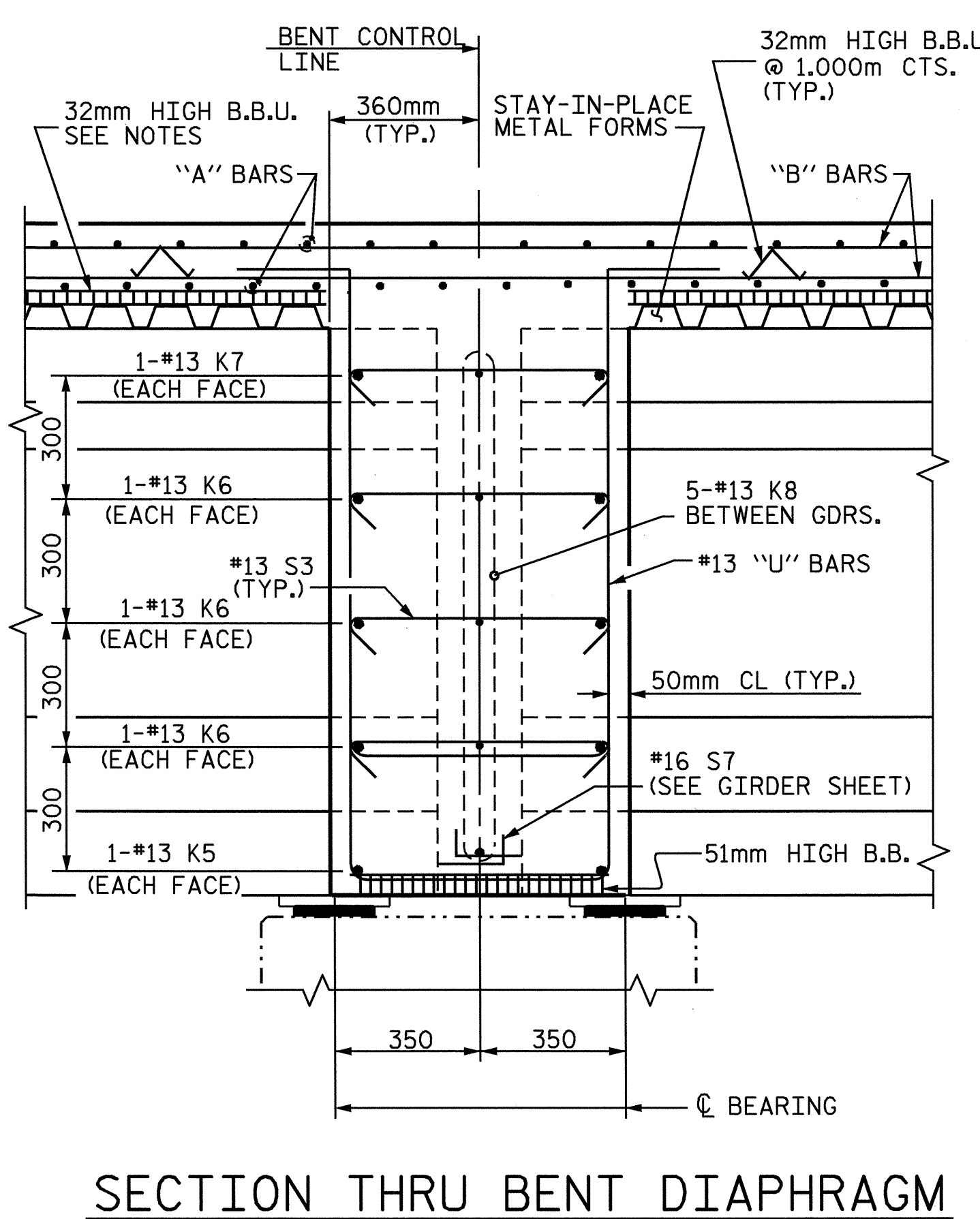
**DRAIN DETAILS**

TOP OF FLOOR DRAINS TO SET 10mm BELOW SURFACE OF SLAB.  
 4 - 13mm SQUARE LUGS TO BE GLUED TO THE PVC PLASTIC PIPE AT EQUAL SPACES AROUND THE PIPE DRAIN APPROXIMATELY 100mm FROM THE TOP OF THE PIPE.  
 THE 152mm Ø PVC PIPE AND FITTINGS SHALL BE SCHEDULE 40 AND CONFORM TO ASTM D1785.

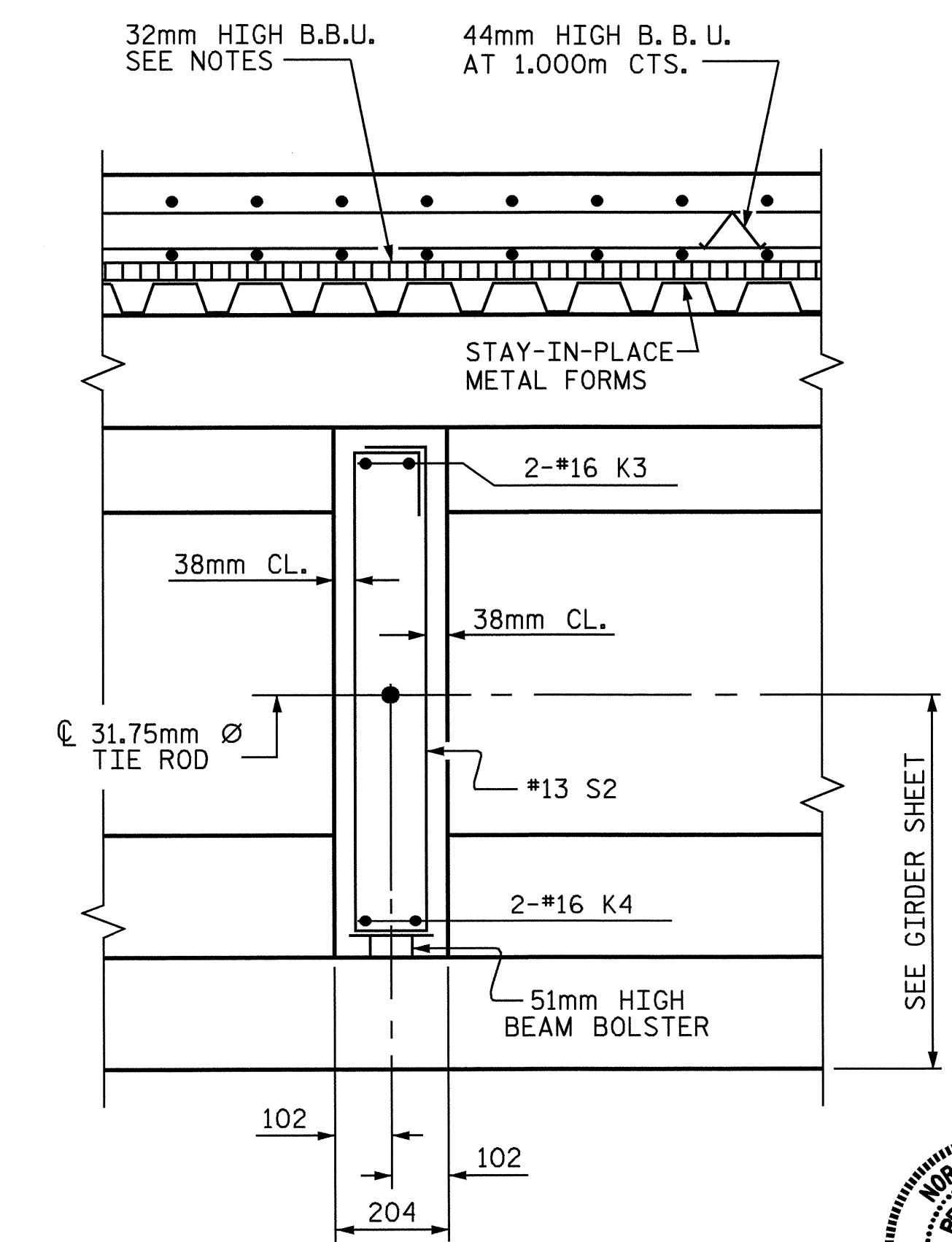
(11 DRAINS REQUIRED)



**SECTION THRU END BENT DIAPHRAGM**



**SECTION THRU BENT DIAPHRAGM**



**SECTION THRU INTERMEDIATE DIAPHRAGM**

PROJECT NO. R-2206C  
 LINCOLN-CATAWBA COUNTY  
 STATION: 199+48.000-L-

SHEET 2 OF 2

STATE OF NORTH CAROLINA  
 DEPARTMENT OF TRANSPORTATION  
 RALEIGH  
 SUPERSTRUCTURE  
 TYPICAL SECTION  
 DETAILS  
 RIGHT LANE

REVISIONS						SHEET NO.
NO.	BY:	DATE:	NO.	BY:	DATE:	S-72
1			3			TOTAL SHEETS
2			4			374



DRAWN BY: M.D. PISO DATE: 6/03  
 CHECKED BY: M.M. PARSONS DATE: 9/03