

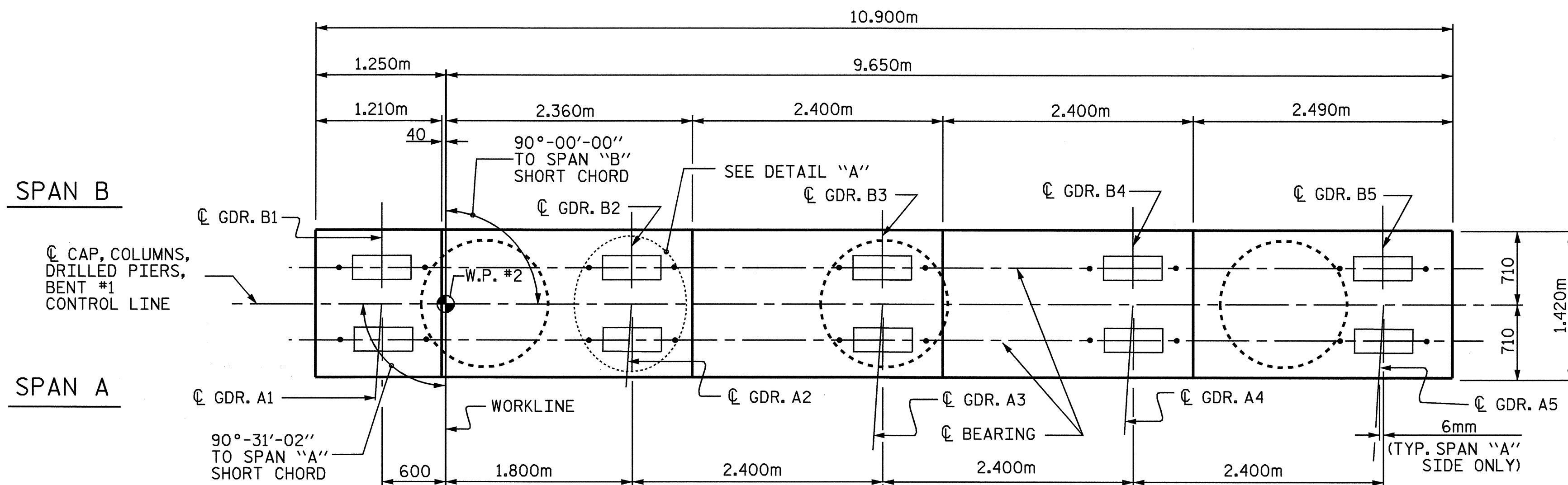
NOTES:

STIRRUPS IN CAP MAY BE SHIFTED AS NECESSARY TO CLEAR ANCHOR BOLTS.

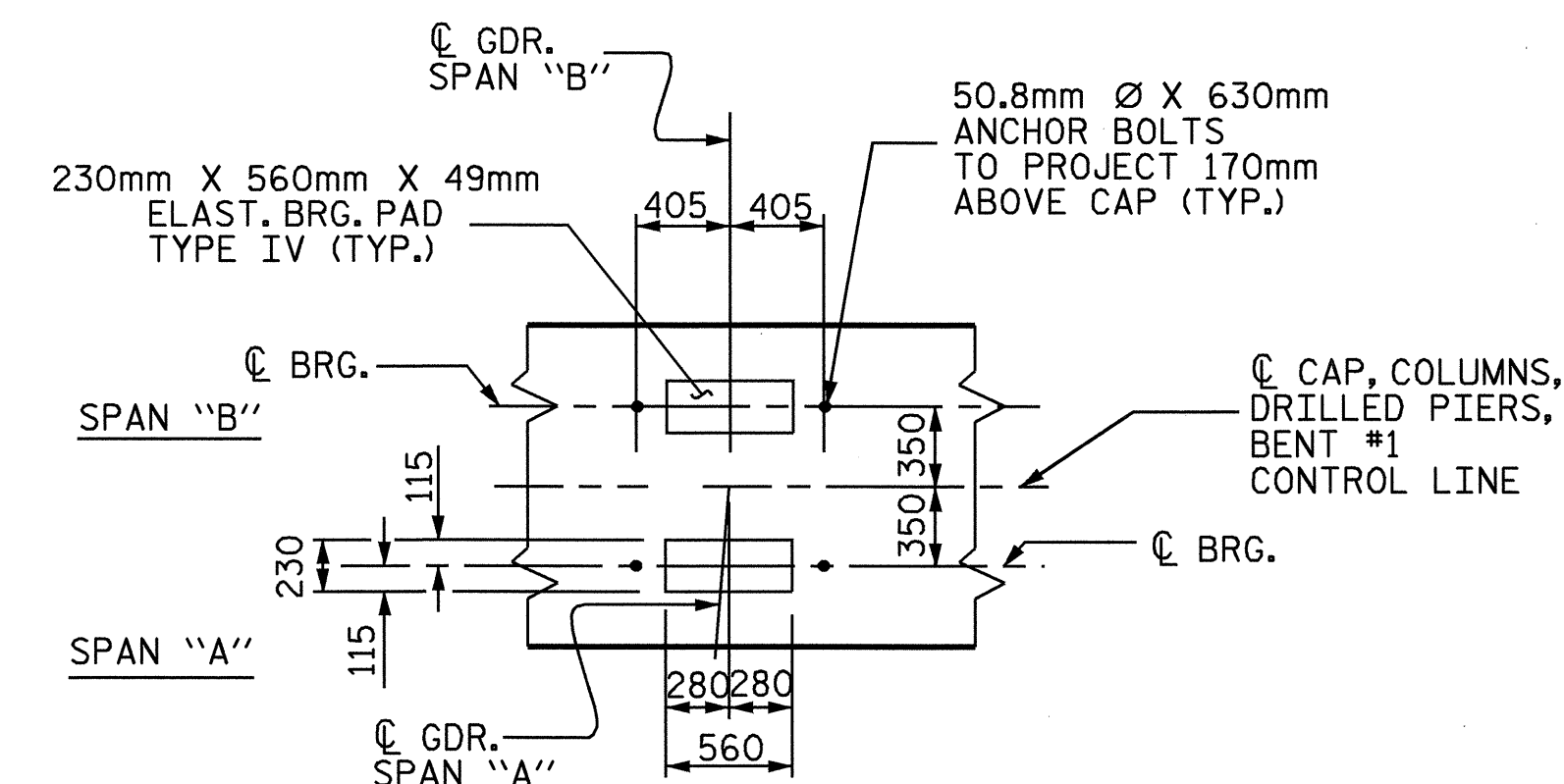
HOOKS ON "V" BARS MAY BE TURNED AS NECESSARY FOR PLACING REINFORCING STEEL.

ALL STEEL IN THE DRILLED PIERS IS INCLUDED IN THE PAY ITEMS FOR "REINFORCING STEEL" AND "SPIRAL COLUMN REINFORCING STEEL".

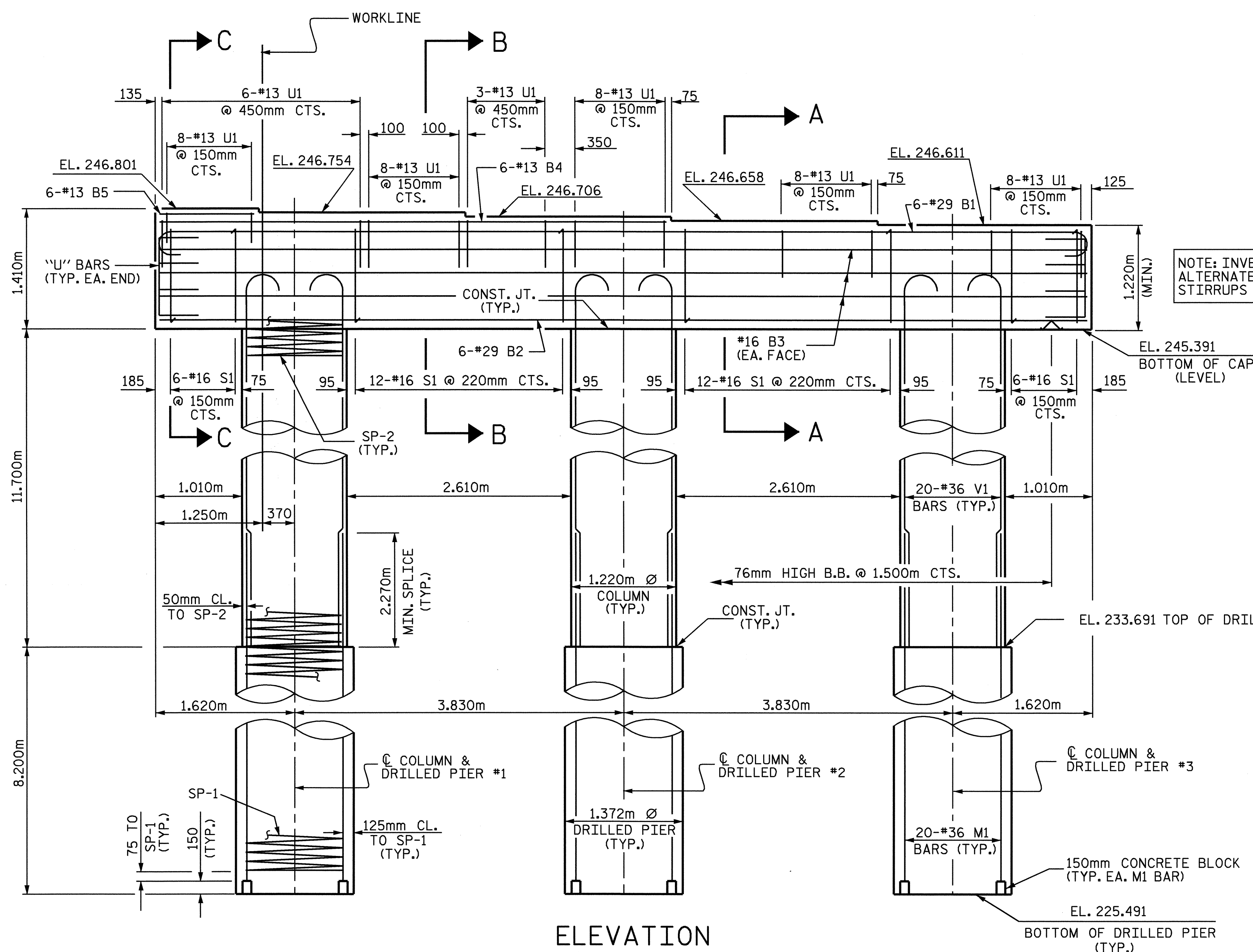
THE CONTRACTOR'S ATTENTION IS CALLED TO THE FACT THAT THE LONGITUDINAL REINFORCEMENT FOR THE DRILLED PIERS IS DETAILED WITH ONE METER OF EXTRA LENGTH.



PLAN

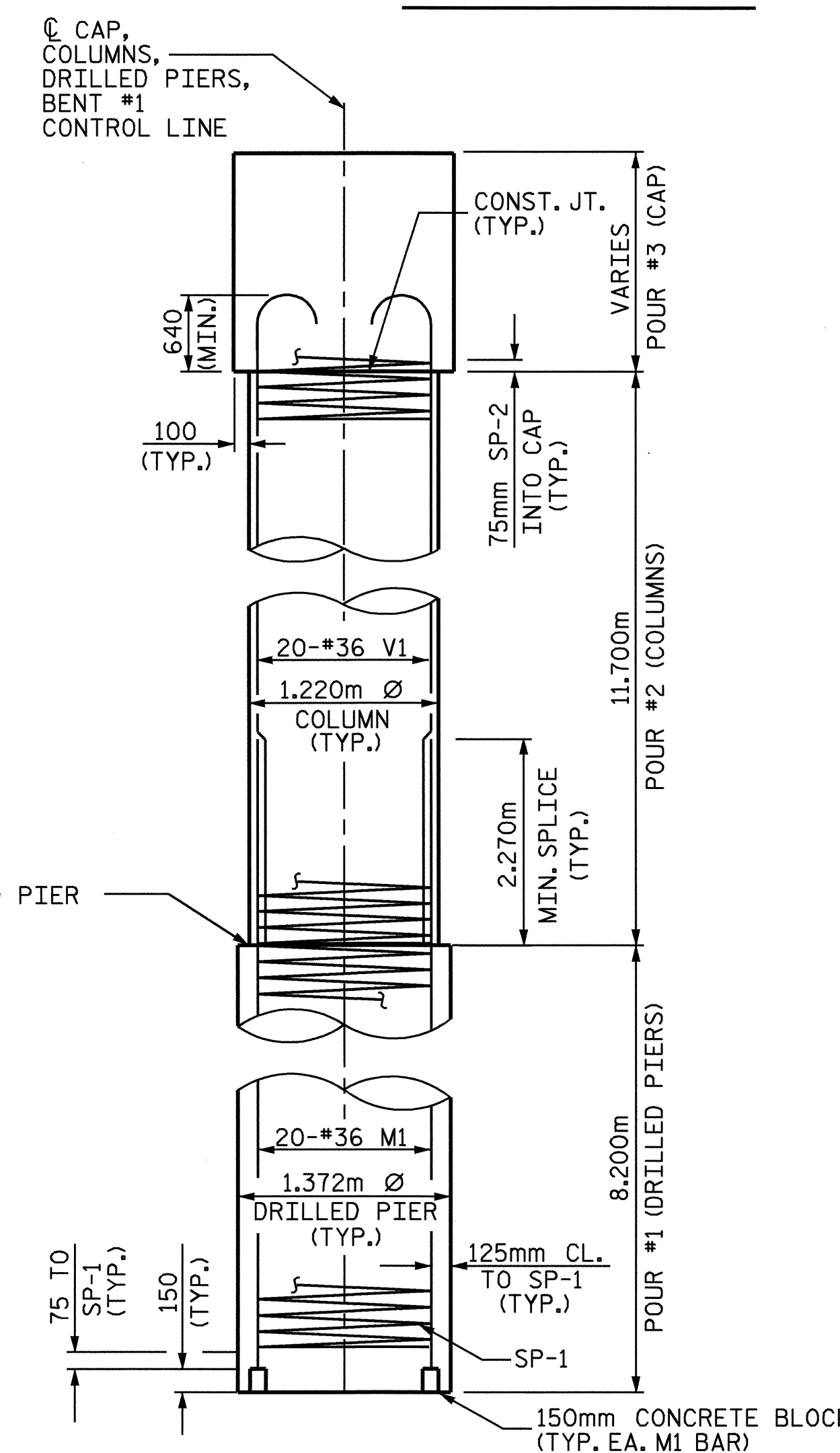


DETAIL "A"



ELEVATION

(INFORMATION SHOWN IS TYPICAL FOR EACH COLUMN AND DRILLED PIER)



END ELEVATION



PROJECT NO. R-2206C
 LINCOLN-CATAWBA COUNTY
 STATION: 199+48.00 -L-

SHEET 1 OF 2

STATE OF NORTH CAROLINA DEPARTMENT OF TRANSPORTATION RALEIGH						SHEET NO.
SUBSTRUCTURE BENT #1 RIGHT LANE						5-87
REVISIONS						TOTAL SHEETS
NO.	BY:	DATE:	NO.	BY:	DATE:	374
1			3			
2			4			

DRAWN BY: C.MILLER DATE: 02-04
 CHECKED BY: W.D.CRUTCHER DATE: 04-04

07-SEP-2004 14:14
 W:\sqadq\2206c\Final Plans\Str. 8\R2206C_SD.BL_08.DGN
 emurray

STR.#8