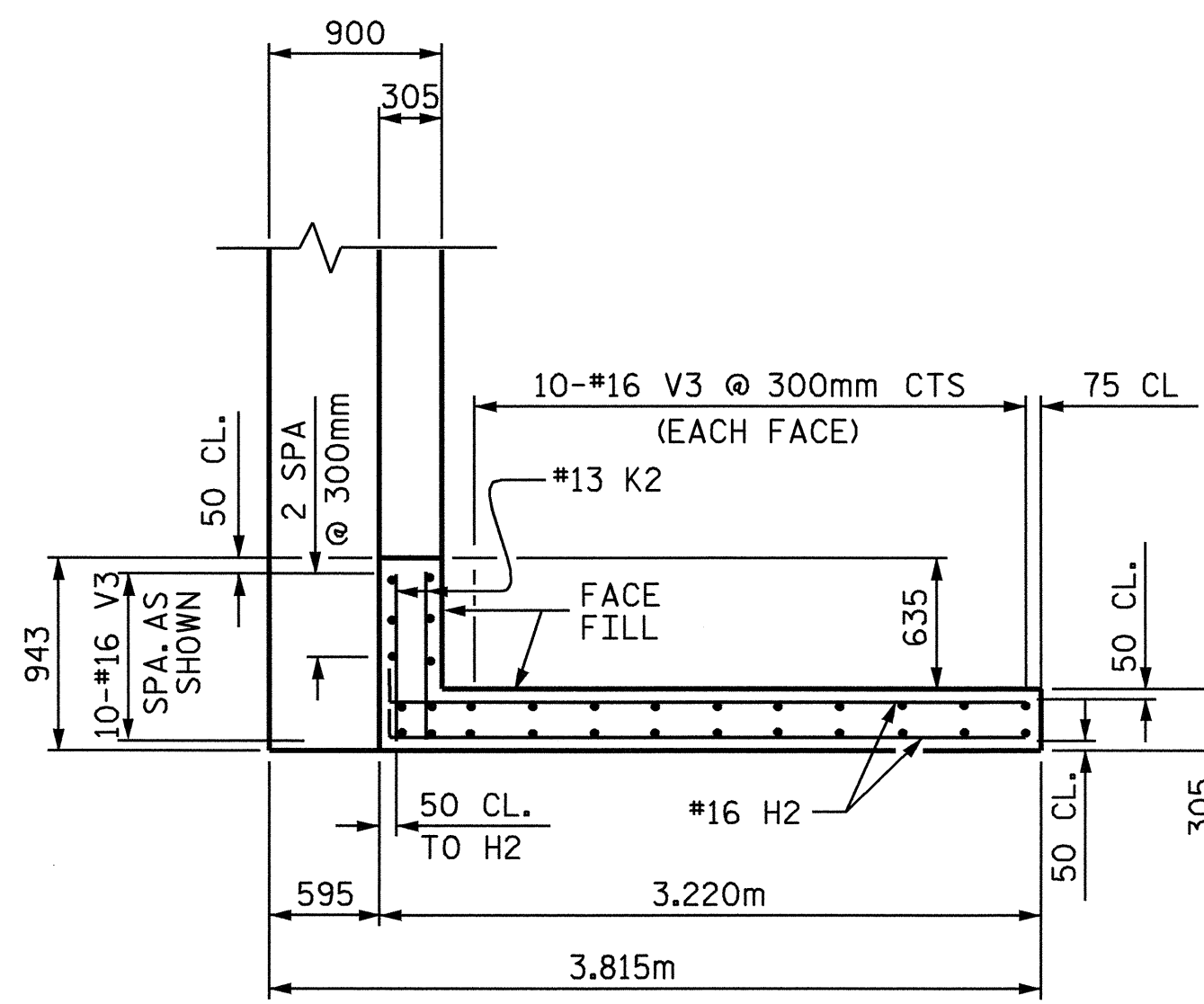
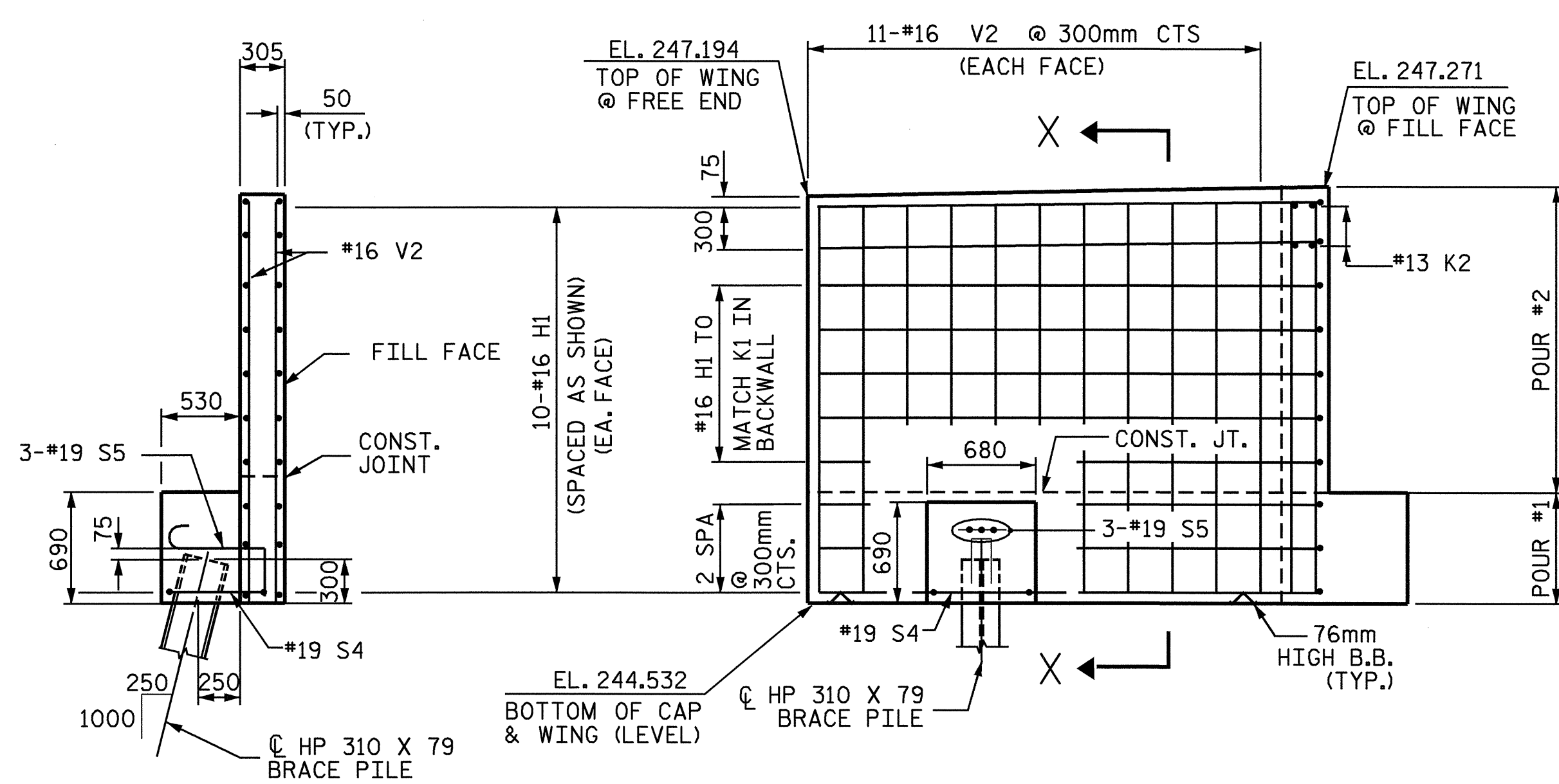


PLAN OF LEFT WING (W1)

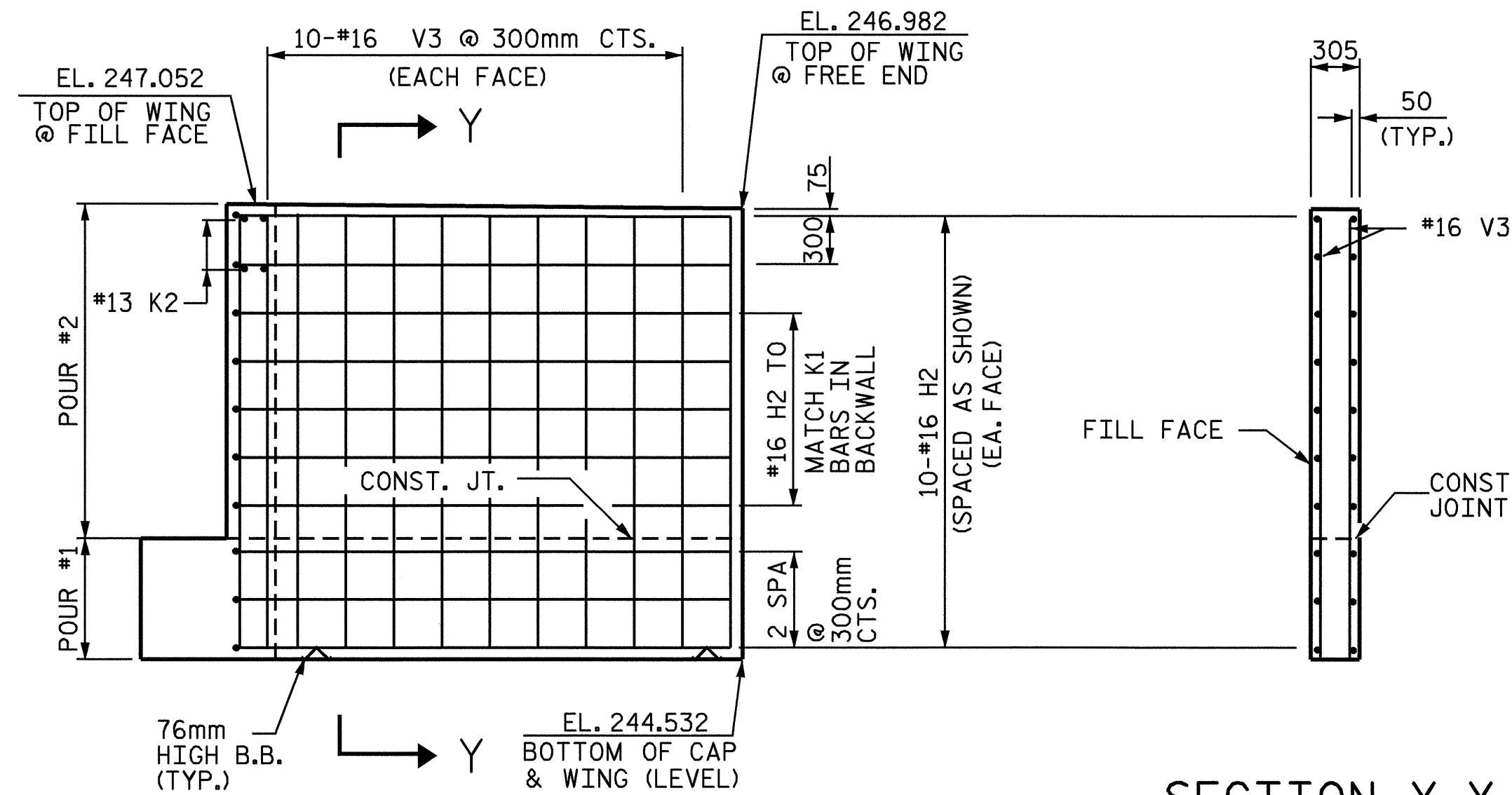


PLAN OF RIGHT WING (W2)



SECTION X-X

ELEVATION OF LEFT WING (W1)



ELEVATION OF RIGHT WING (W2)

SECTION Y-Y

PROJECT NO. R-2206C  
 LINCOLN-CATAWBA COUNTY  
 STATION: 199+48.000 -L-

SHEET 2 OF 3

STATE OF NORTH CAROLINA  
 DEPARTMENT OF TRANSPORTATION  
 RALEIGH

SUBSTRUCTURE  
 END BENT #2  
 RIGHT LANE



Emily E. Murry  
 9/8/04

REVISIONS						SHEET NO.
NO.	BY:	DATE:	NO.	BY:	DATE:	5-92
1			3			TOTAL SHEETS
2			4			374

DRAWN BY: L. GILCHRIST / C. MILLER DATE: 03-04/06-04  
 CHECKED BY: P. ADKINS DATE: 06-04

07-SEP-2004 13:50  
 W:\squad\2206c\Final Plans\Str. 8\R2206C\_SD\_E2-08.DGN  
 emurray

STR #8