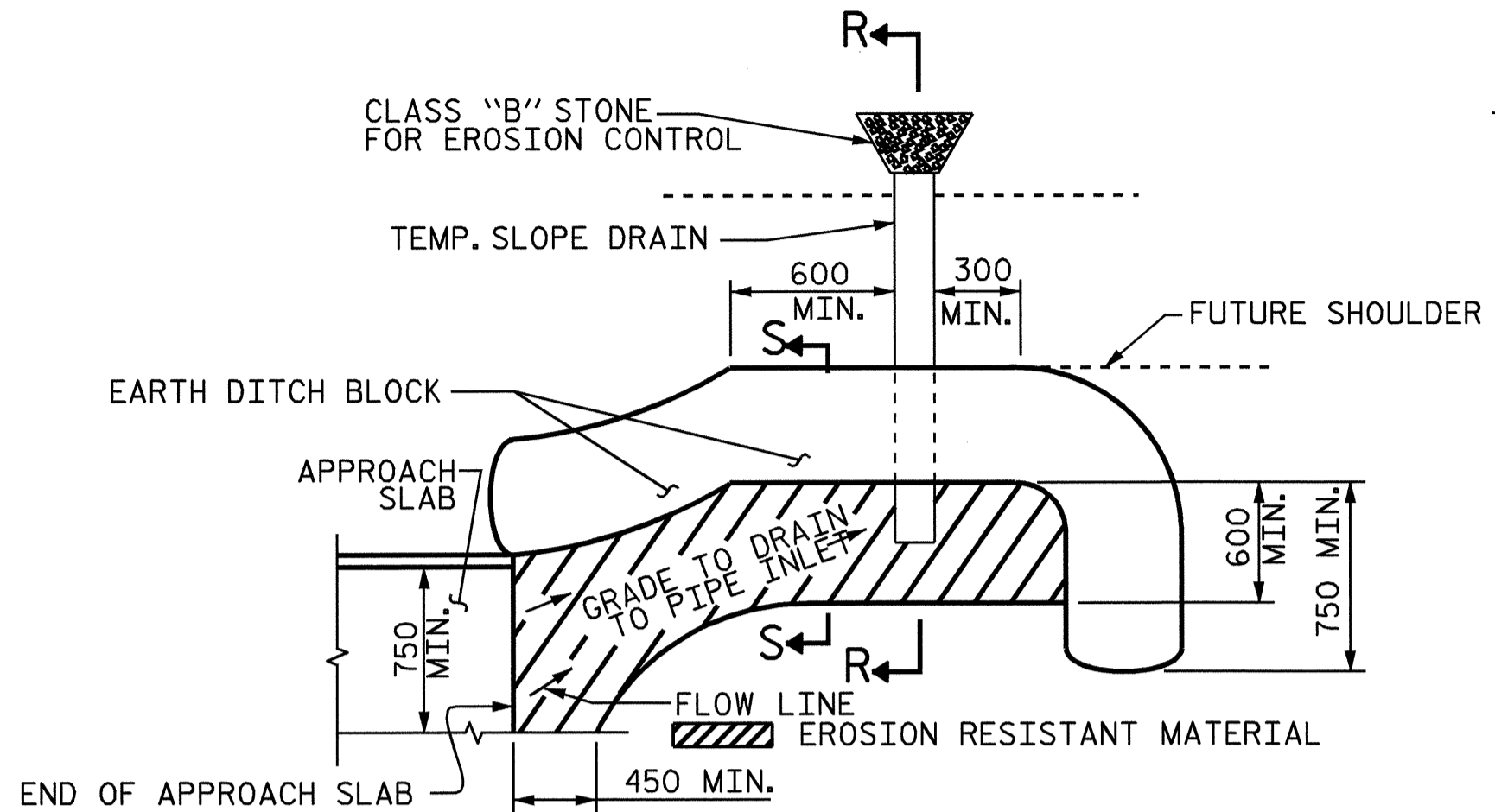


NOTE: IF THE APPROACH SLAB IS NOT CONSTRUCTED IMMEDIATELY AFTER THE BACKFILLING OF THE END BENT EXCAVATION, GRADE TO DRAIN TO THE BOTTOM OF THE SLOPE AND PROVIDE EROSION RESISTANT MATERIAL, SUCH AS FIBERGLASS ROVING OR AS DIRECTED BY THE ENGINEER TO PREVENT SOIL EROSION AND TO PROTECT THE AREA ADJACENT TO THE STRUCTURE. THE CONTRACTOR WILL BE REQUIRED TO REMOVE THESE MATERIALS PRIOR TO CONSTRUCTION OF THE APPROACH SLAB.

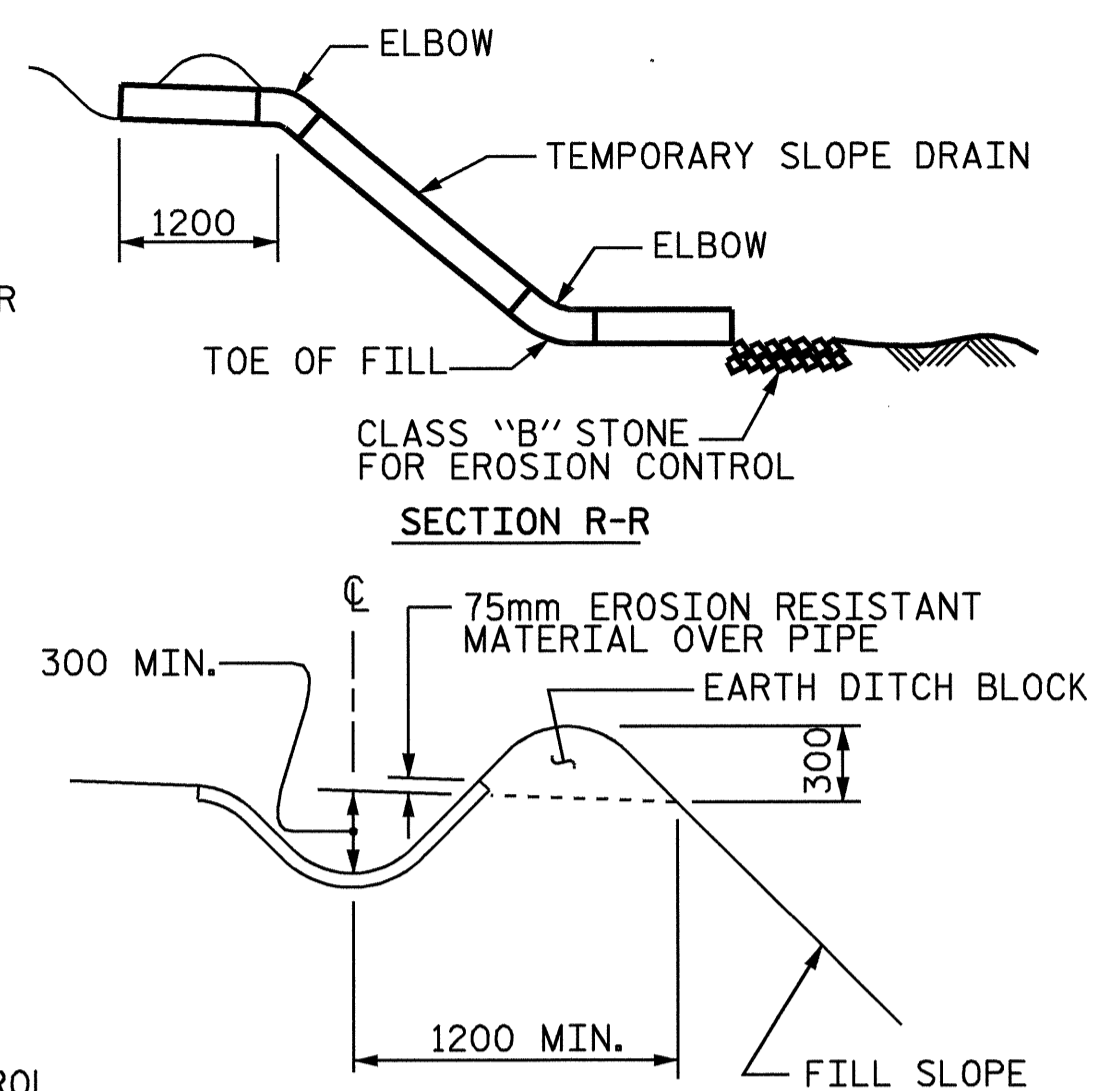
TEMPORARY DRAINAGE DETAIL



NOTE: IMMEDIATELY AFTER THE CONSTRUCTION OF THE APPROACH SLAB, THE CONTRACTOR SHALL PROVIDE TEMPORARY BERM AND SLOPE DRAIN. CONTRACTOR SHALL GRADE TO PIPE INLET AND PROVIDE EROSION RESISTANT MATERIAL AS SHOWN. THE EROSION RESISTANT MATERIAL SHALL BE EITHER 1) ASPHALT PLANT MIX, TYPE 1 OR TYPE 2, MIN. 50mm DEPTH, 2) EROSION CONTROL MAT, OR 3) CONCRETE, AS DIRECTED BY THE ENGINEER. THE SLOPE DRAIN SHALL CONSIST OF A NON-PERFORATED TEMPORARY DRAINAGE PIPE, 305mm IN DIAMETER.

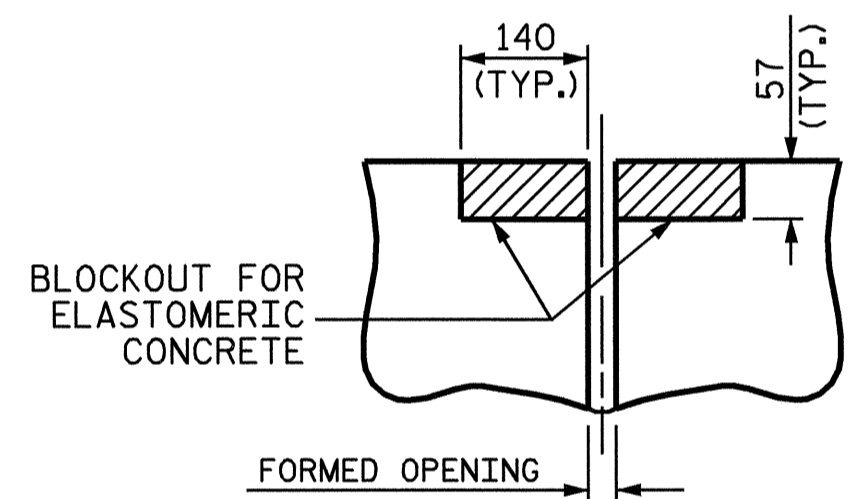
PLAN VIEW

TEMPORARY BERM AND SLOPE DRAIN DETAILS



SECTION R-R

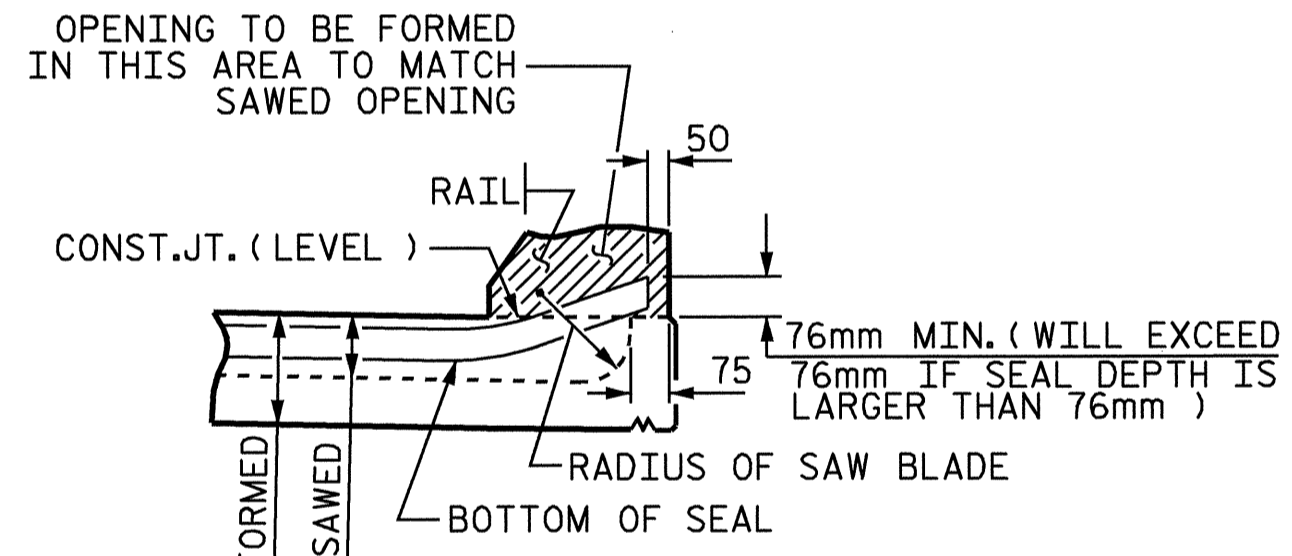
SECTION S-S



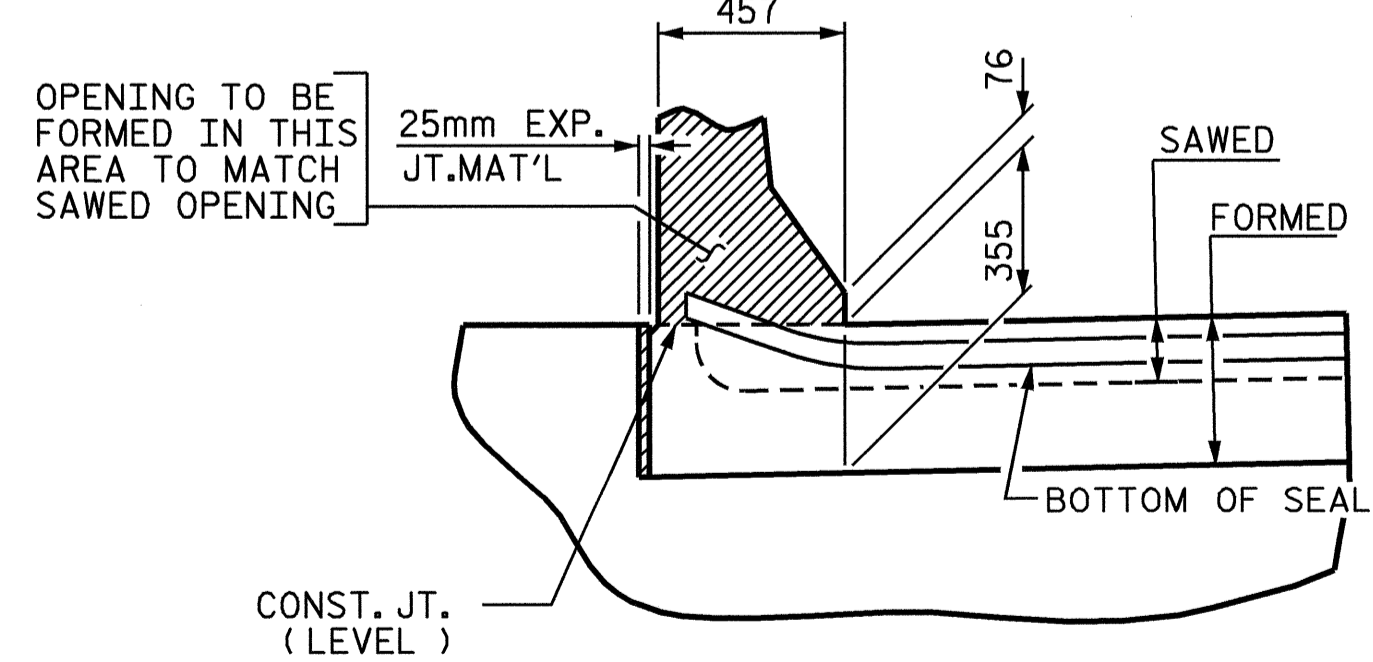
SECTION C-C  
PRE-SAWED ELASTOMERIC CONCRETE DIMENSIONS

ELASTOMERIC CONCRETE	
END BENT NO.	ELASTOMERIC CONCRETE * (CU. m)
1	0.17
2	0.17
TOTAL	0.34

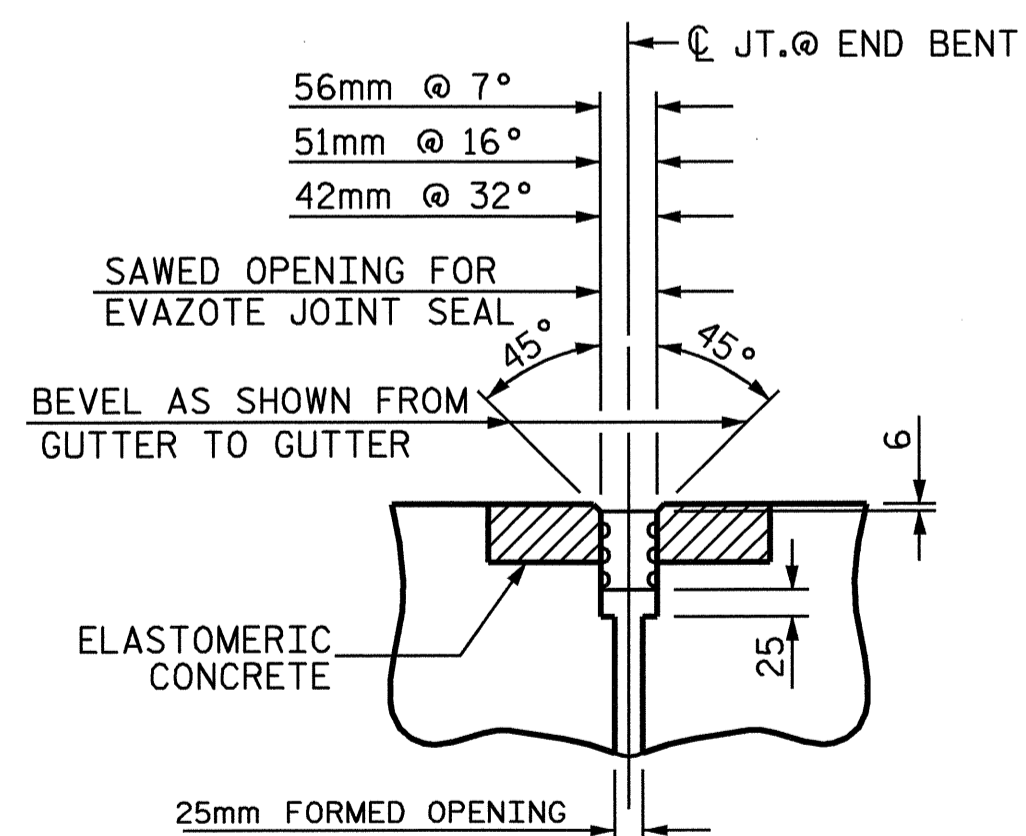
\* BASED ON THE MINIMUM BLOCKOUT SHOWN.



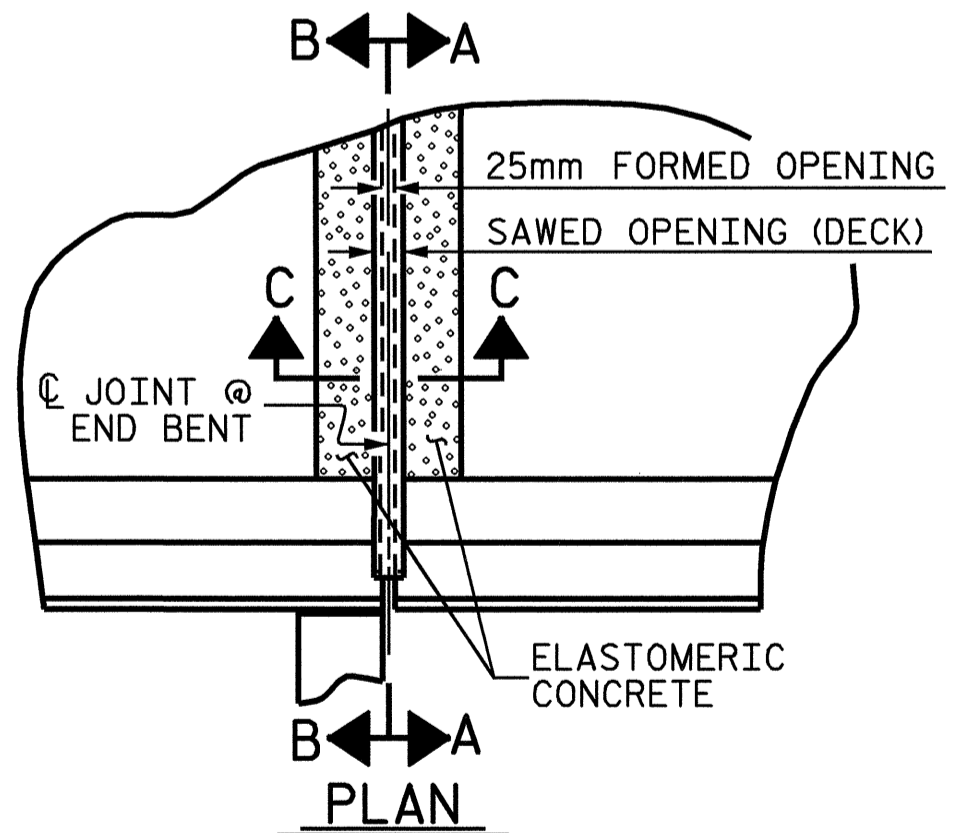
SECTION A-A



SECTION B-B



SECTION C-C  
EVAZOTE JOINT SEAL



JOINT SEAL DETAILS @ END BENT  
(FOR BARRIER RAIL)

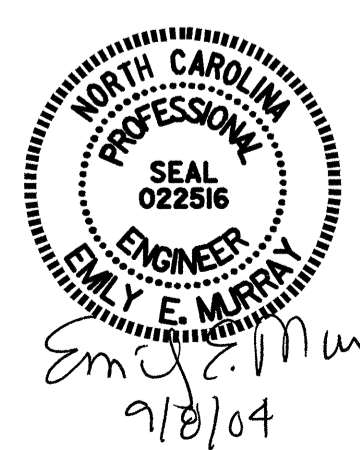
PROJECT NO. R-2206C  
LINCOLN-CATAWBA COUNTY  
STATION: 199+48.000 -L-

SHEET 4 OF 4

STATE OF NORTH CAROLINA  
DEPARTMENT OF TRANSPORTATION  
RALEIGH

STANDARD  
BRIDGE APPROACH  
SLAB DETAILS

RIGHT LANE



REVISIONS					SHEET NO.
NO.	BY:	DATE:	NO.	BY:	DATE:
1			3		
2			4		

TOTAL SHEETS: 374

ASSEMBLED BY: P. ADKINS	DATE: 3-04
CHECKED BY: T. AVERETTE	DATE: 5-04
DRAWN BY: FCJ 11/88	REV. 8/16/99 RAL/LES
CHECKED BY: ARB 11/88	REV. 10/17/00 RWW/LES
	REV. 5/7/03 RWW/JTE