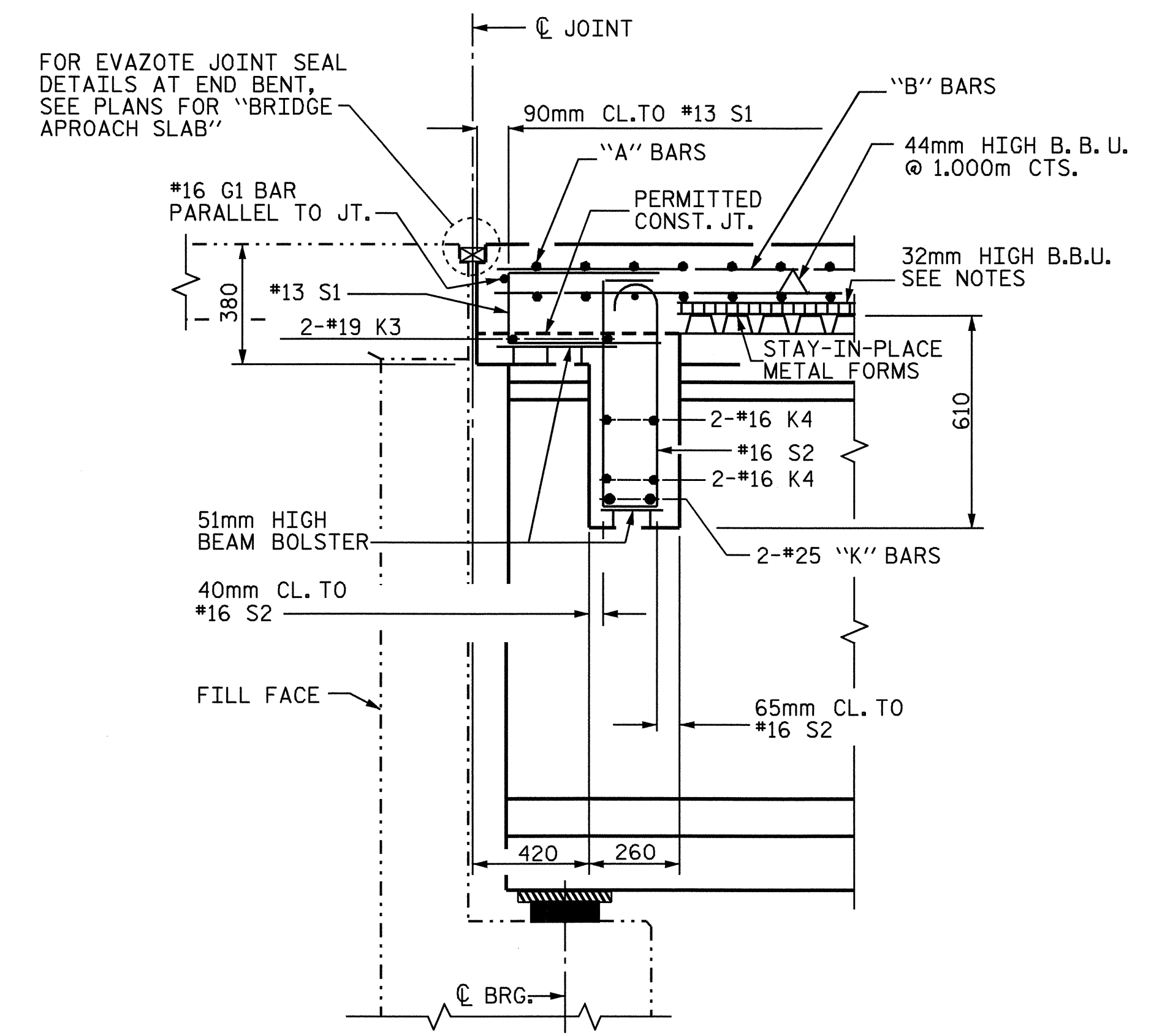
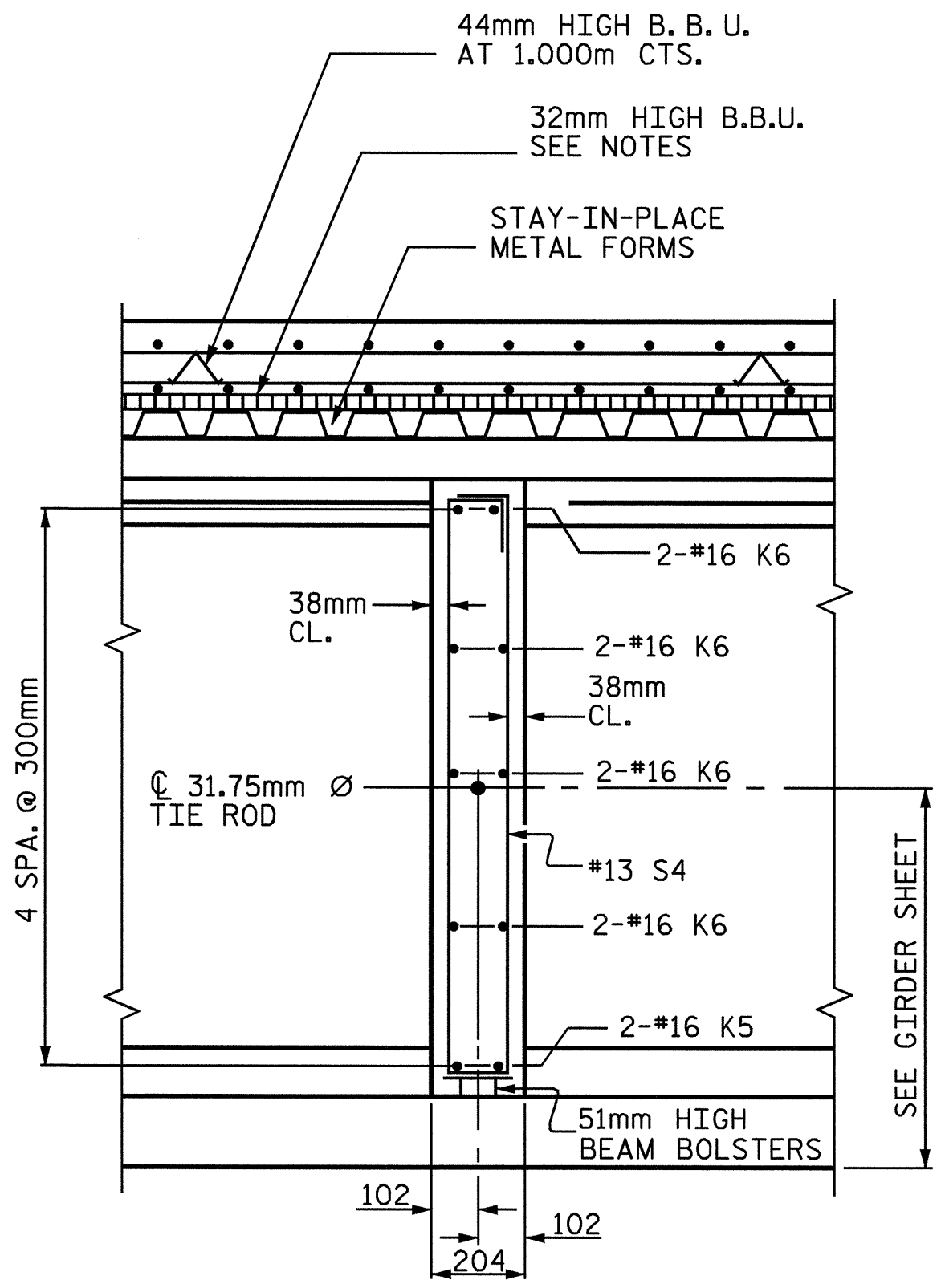


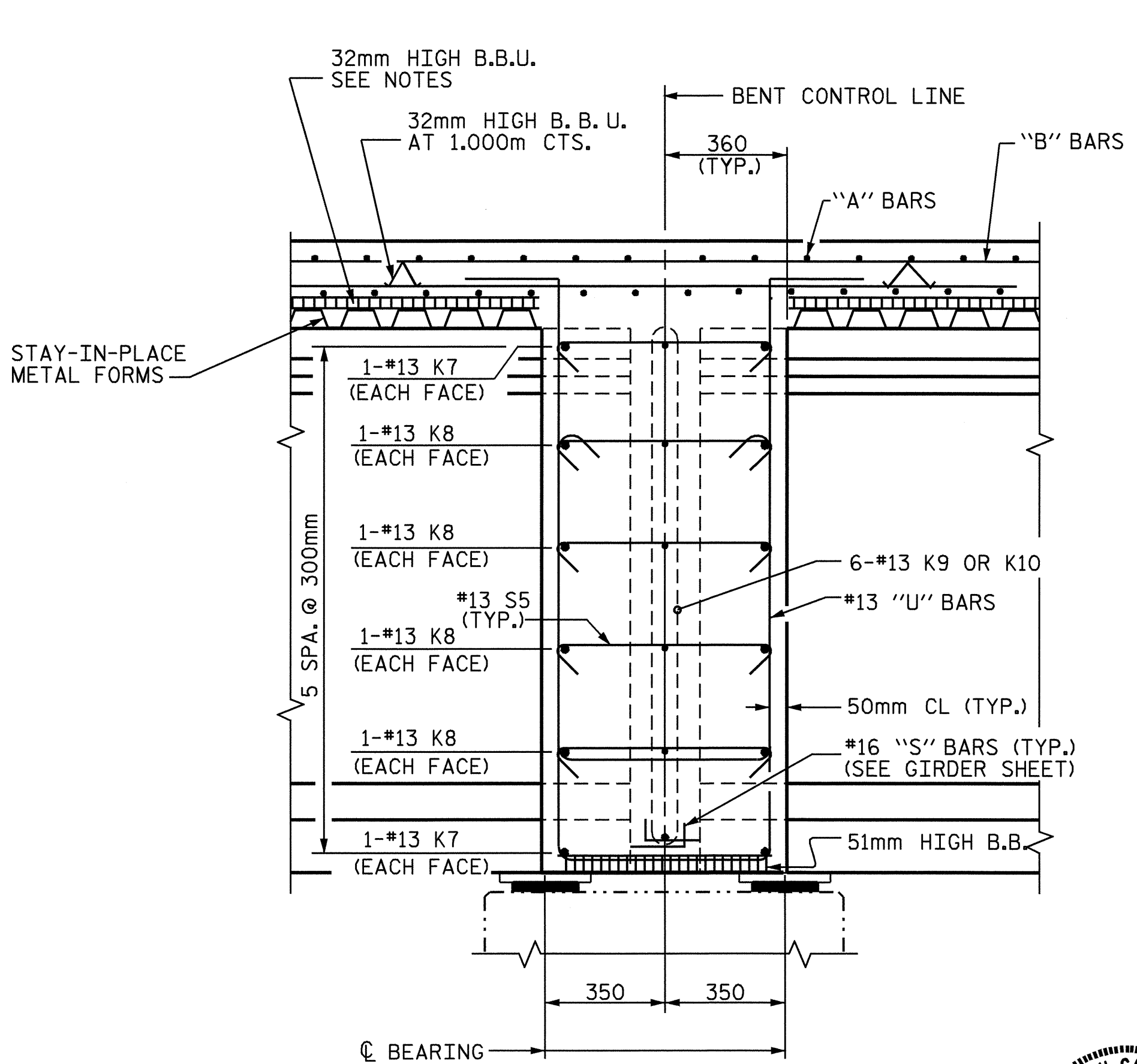
TYPICAL SECTION
 SHOWING BENT DIAPHRAGMS



SECTION THRU END BENT DIAPHRAGM



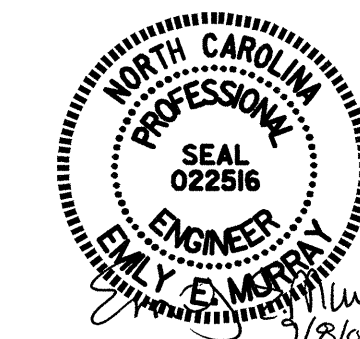
SECTION THRU INTERMEDIATE DIAPHRAGM



SECTION THRU BENT DIAPHRAGM

PROJECT NO. R-2206C
 LINCOLN-CATAWBA COUNTY
 STATION: 216+60.508-L-
 SHEET 2 OF 3

STATE OF NORTH CAROLINA
 DEPARTMENT OF TRANSPORTATION
 RALEIGH
 SUPERSTRUCTURE
TYPICAL SECTION & DETAILS



DRAWN BY: M.D. PISO DATE: 8/03
 CHECKED BY: M.M. PARSONS DATE: 8/03

REVISIONS				SHEET NO.	
NO.	BY:	DATE:	NO.	BY:	DATE:
1			3		
2			4		

TOTAL SHEETS: 374