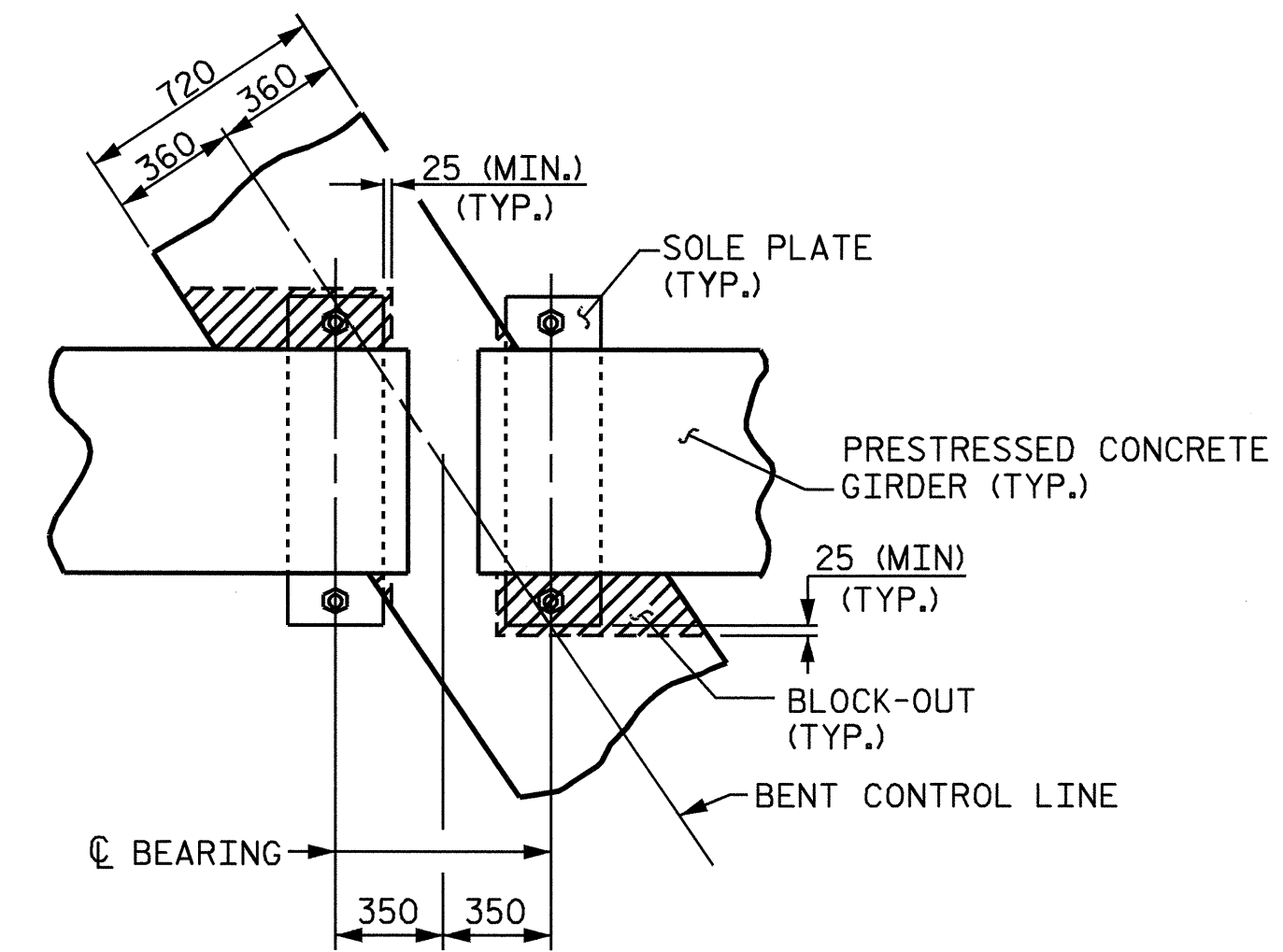


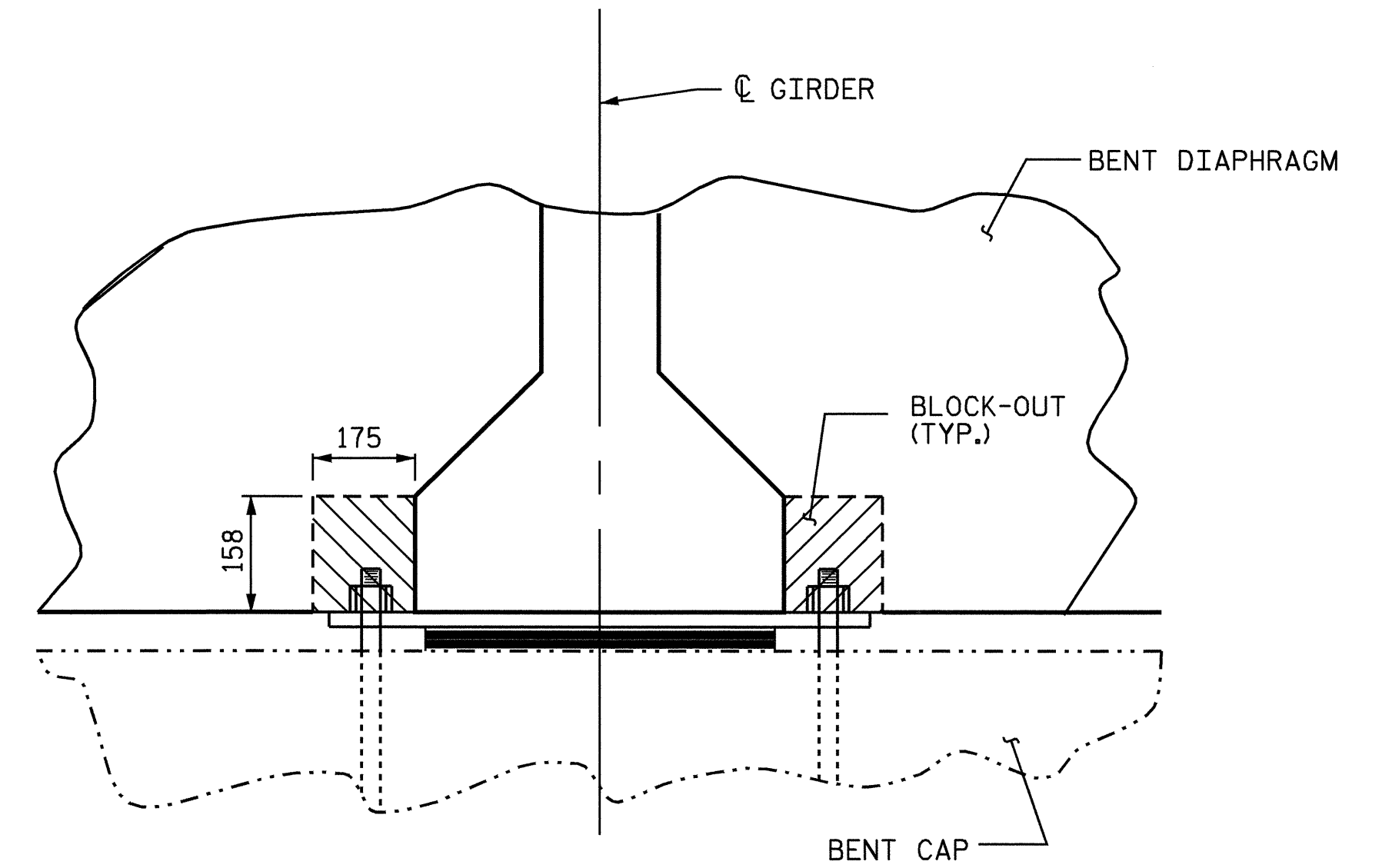
BENT DIAPHRAGM

END BENT DIAPHRAGM

PLAN



PLAN



SECTION

BENT DIAPHRAGM BLOCK-OUT DETAIL

PROJECT NO. R-2206C
LINCOLN-CATAWBA COUNTY
 STATION: 216+60.508-L-

SHEET 3 OF 3

STATE OF NORTH CAROLINA
 DEPARTMENT OF TRANSPORTATION
 RALEIGH
 SUPERSTRUCTURE
 TYPICAL SECTION
 DETAILS



DRAWN BY : M.D. PISO DATE : 8/03
 CHECKED BY : M.M. PARSONS DATE : 8/03

REVISIONS						SHEET NO.
NO.	BY:	DATE:	NO.	BY:	DATE:	S-107
1			3			TOTAL SHEETS
2			4			374